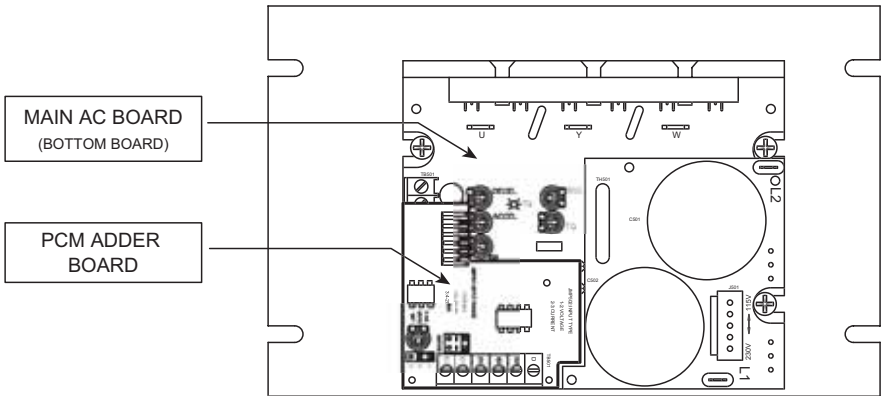




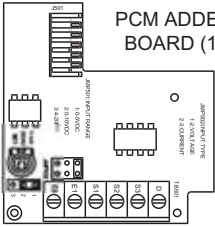
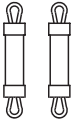

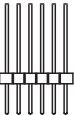



MOUNTING INSTRUCTIONS FOR FHP SERIES PCM ADDER BOARD

The FHP Series PCM Adder Board 175324.00 accepts a 0 - 5 VDC, 0 - 10 VDC, or 4-20 mA signal and outputs an isolated 0-5 VDC signal without requiring additional panel space. It mounts directly over the main AC board (bottom board) thus maintaining the same footprint. This instruction manual will give you step-by-step information for successfully mounting the PCM Adder Board to your FHP Series drive.

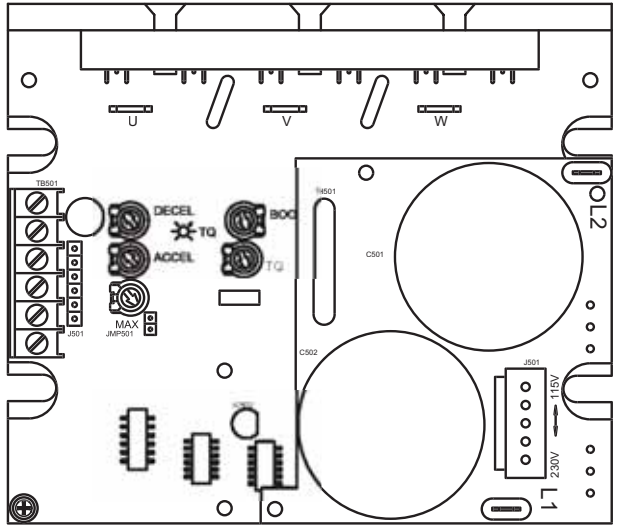
The following diagram shows a FHP Series drive with the PCM adder board installed onto the unit and the parts supplied in this kit.



PARTS SUPPLIED IN THIS KIT

 <p>PCM ADDER BOARD (1)</p>	 <p>PCB STANDOFF (2)</p>	 <p>JUMPER (1)</p>	
 <p>6-PIN HEADER (1)</p>	 <p>SHOULDER WASHER (1)</p>	 <p>0.578" NYLON SPACER (1)</p>	 <p>6-32 x 1 5/16" PHILLIPS SCREW (1)</p>

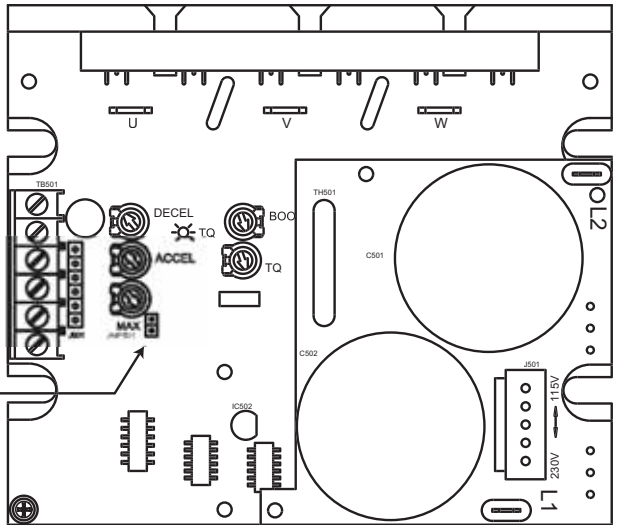
Required Tools: *Phillips Screwdriver*



STEP #1

USING A PHILLIPS SCREWDRIVER REMOVE SCREW AND PLASTIC CAP FROM BOTTOM BOARD AND DISCARD.

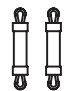
NOTE:
DO NOT REMOVE THE SHOULDER WASHER FROM THE BOTTOM BOARD.



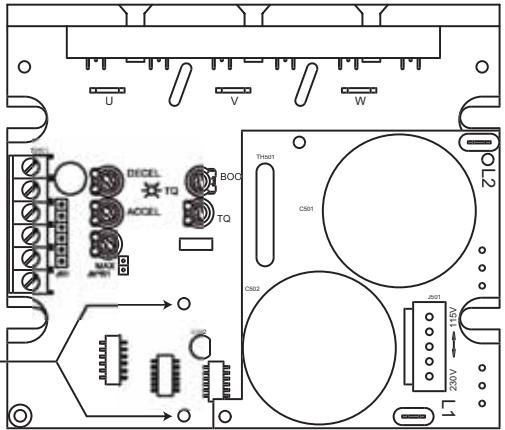
STEP #2

PLACE THE JUMPER (NOTCH SIDE UP) ON JMP501 OF THE BOTTOM BOARD.


STEP #3



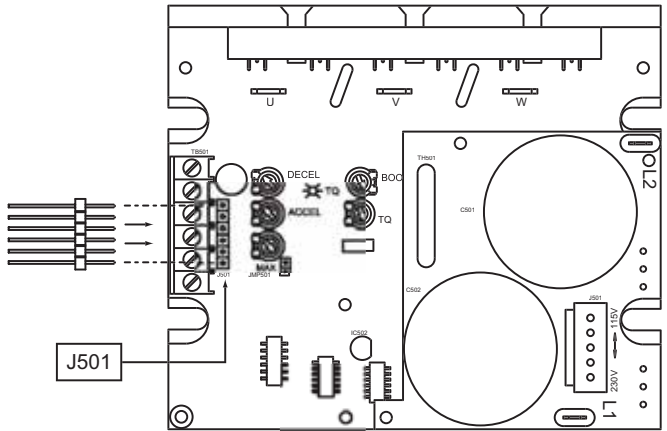
INSTALL TWO (2) PLASTIC STANDOFFS ONTO BOTTOM BOARD



STEP #4

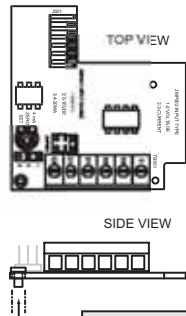
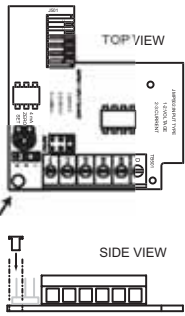


SNAP THE SHORT SIDE OF THE 6-PIN HEADER INTO J501 LOCATED ON THE BOTTOM BOARD



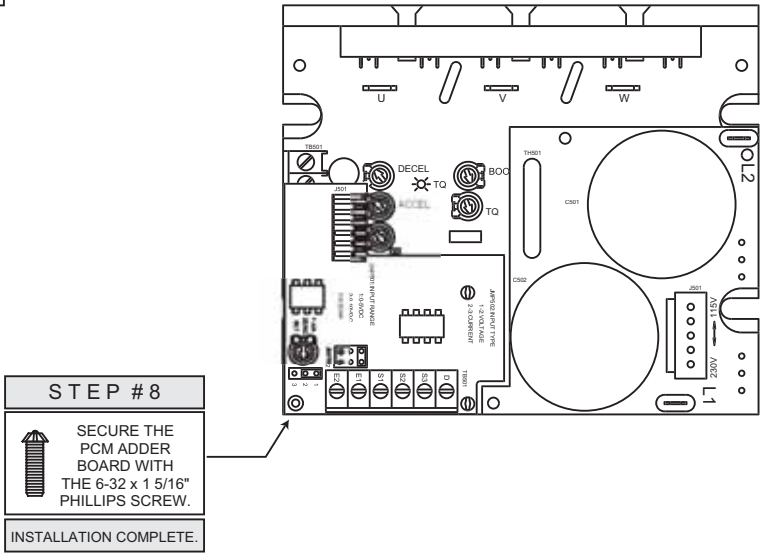
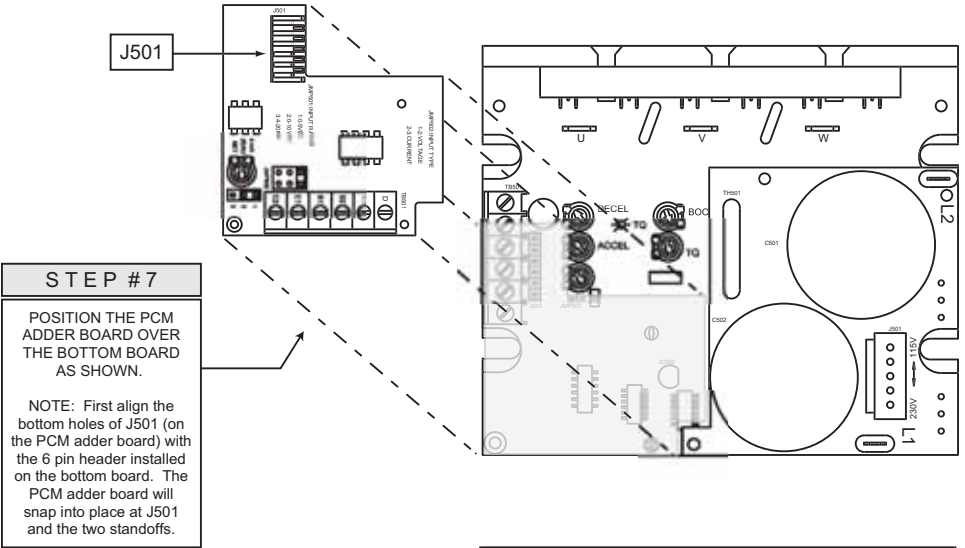
STEP #5

INSERT THE SHOULDER WASHER (included with the kit) THROUGH THE TOP SIDE OF THE PCM ADDER BOARD.



STEP #6

ATTACH THE 0.578" SPACER TO THE BOTTOM SIDE OF THE SHOULDER WASHER AS SHOWN.



2100 Washington Street
 Grafton, WI 53024-0241, U.S.A.
 TEL: (262) 377-8810 FAX: (262) 377-9025
 Document number 250-0367, Revision 0
 Printed in the U.S.A. - January 2003