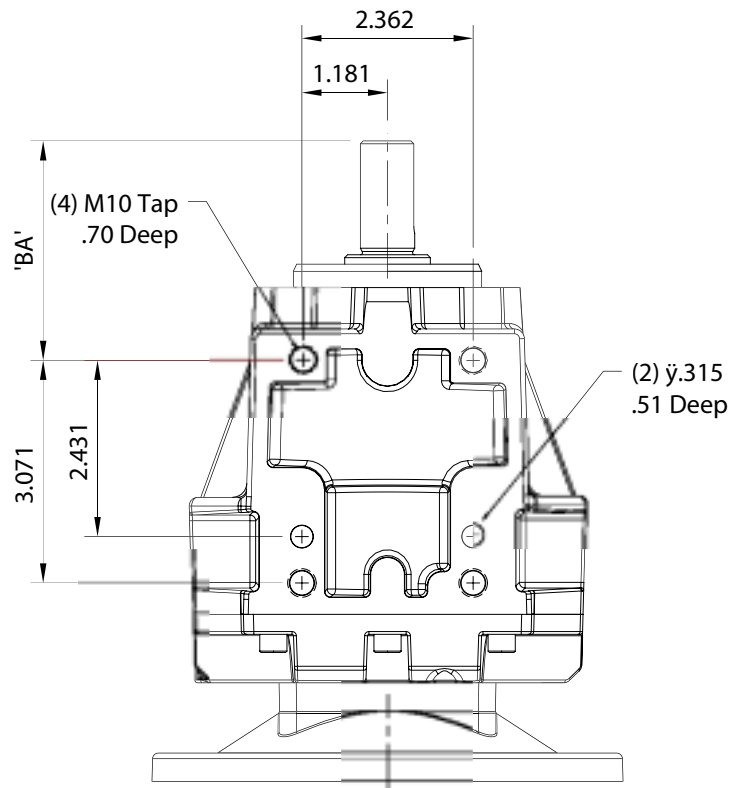
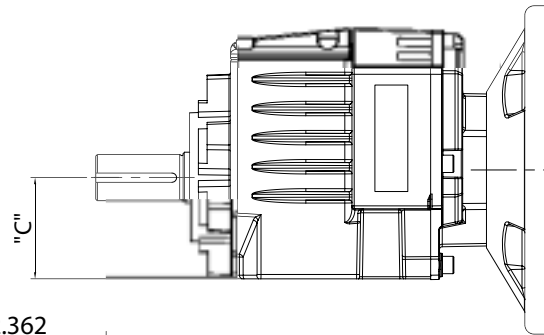




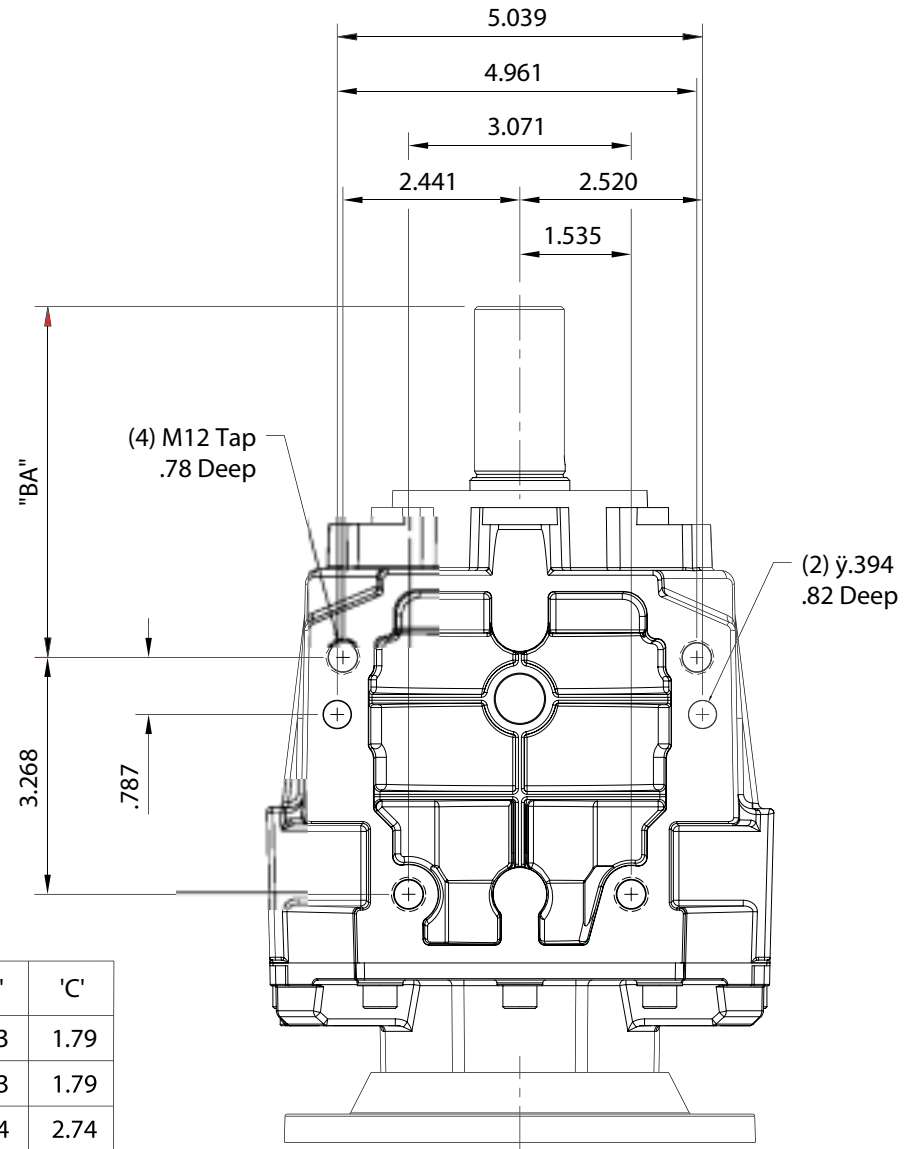
Mounting Dimensions (Option .00)

REV. 2/28/03



Series 717 / 727

Series	'BA'	'C'
717	3.03	1.79
727	3.43	1.79
747	4.84	2.74
757	4.84	2.74



Series 747 / 757