

## SERIES 12 SUB-FHP

### Electrical Specifications:

Both SCR (90 volt) and Low Voltage (12 volt) right angle gearmotors. The 90 volt motors are performance matched for continuous service over a 60:1 speed range. All have

constant torque throughout the speed range when powered by a full-wave, unfiltered SCR-type 115 volt input adjustable speed control having a typical form factor of 1.3 to 1.4. The low voltage motors are also performance matched for continuous duty. Motors are designed for battery power or can be used with a low voltage controller with form factor up to 1.05.

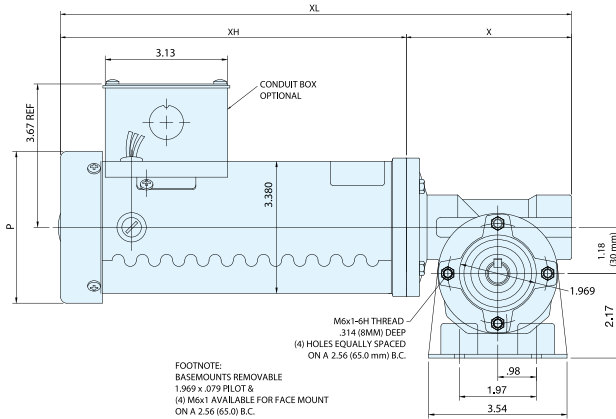


### Mechanical Specifications:

This worm-type right-angle gearing features hardened, steel worm with bronze worm wheel for long life and quiet operation. Single-piece die cast aluminum alloy housing is vacuum impregnated with Resinol RT for protection and sealing. This gearbox combines light weight

with high tensile strength along with being precision machined for alignment of bearings and gearing. For optimum seal life, we use high-temperature Nitrile seals. Gearbox provided with solid output shaft, but can be converted to a hollow output shaft mounting by using snap-ring pliers and remove the snap ring and solid output shaft. Also the T-base feet are bolted to the gearbox, but can easily be removed and converted to face mounting.

Conduit box not supplied with motor. See page 179.



### SCR 90 VOLT RATED DIMENSIONS (INCHES)

P	X	XL	XH	PB
3.38	4.32	11.07	6.75	4.00
3.38	4.32	11.07	6.75	4.00
3.88	4.32	13.16	8.84	3.76
3.88	4.32	13.16	8.84	3.76
3.88	4.32	13.16	8.84	3.76
3.88	4.32	13.16	8.84	3.76
3.88	4.32	13.16	8.84	3.76

### LOW VOLTAGE (12V) DIMENSIONS (INCHES)

P	X	XL	XH	PB
3.38	4.32	10.57	6.25	4.21
3.38	4.32	10.57	6.25	4.21
3.38	4.32	11.82	7.5	4.21
3.38	4.32	11.82	7.5	4.21
3.38	4.32	11.82	7.5	4.21
3.38	4.32	11.82	7.5	4.21
3.38	4.32	11.82	7.5	4.21

## RIGHT-ANGLE DC • SCR 90 VOLT RATED TEFC • 1.0 SERVICE FACTOR

Input HP	F.L. Torque (In.-Lbs.)	Output RPM	Catalog Number	Enclosure	Gearmotor Type & Frame	Ratio to 1	Full Arm Volts DC	Load Amps. DC
1/8*	125	28	M1135292.00	TENV	12B60-34D	61	90	1.6
1/8*	87	45	M1135291.00 A	TENV	12B39-34D	39	90	1.6
1/4	158	58	M1135290.00	TEFC	12B30-34G	30	90	2.8
1/4	100	90	M1135289.00	TEFC	12B19-34G	19	90	2.6
1/4	85	115	M1135288.00 A	TEFC	12B15-34G	15	90	2.6
1/4	61	167	M1135287.00	TEFC	12B11-34G	10.6	90	2.6
1/4	46	250	M1135286.00	TEFC	12B7-34G	7	90	2.6

\* Supplied with TENV motor enclosure

## RIGHT-ANGLE DC • LOW VOLTAGE (12V) TENV • 1.0 SERVICE FACTOR

Input HP	F.L. Torque (In.-Lbs.)	Output RPM	Catalog Number	Enclosure	Gearmotor Type & Frame	Ratio to 1	Arm Volts DC	Full Load Amps. DC
1/8	134	27	M1135285.00 A	TENV	12B60-34C	61	12	14
1/8	94	45	M1135284.00 A	TENV	12B39-34C	39	12	15
1/4	158	58	M1135297.00	TENV	12B30-34F	30	12	24
1/4	100	90	M1135296.00 A	TENV	12B19-34F	19	12	24
1/4	85	115	M1135295.00 A	TENV	12B15-34F	15	12	23
1/4	61	167	M1135294.00 A	TENV	12B11-34F	10.6	12	21
1/4	46	250	M1135293.00 A	TENV	12B7-34F	7	12	23

A Subject to Availability.

### NOTES:

1. Conduit box not supplied with the gearmotor. Mounting provisions are provided and can use conduit box kit catalog number M1760007 found on page 179.
2. For solid double output shaft, consult factory.

