

**SCR RATED:  
5-135 In-Lbs Torque**  
**LOW VOLTAGE:  
25-135 In-Lbs Torque**

**Electrical Specifications:**

**SCR Rated Gearmotors**

Totally enclosed right-angle gearmotors, performance matched for continuous service over a 60:1 speed range. All have constant torque throughout the range when powered by a full-wave, unfiltered SCR-type 115 volt input adjustable speed control having a typical form factor of 1.3 to 1.4. Also available as factory options are motors for low voltage input and with double output shafts.



**Low Voltage Gearmotors**

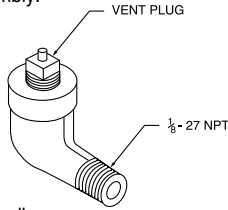
Totally enclosed, permanent magnet DC gearmotors, performance matched for continuous duty. Motors are designed for battery power or can be used with a low voltage controller with form factor up to 1.05.

**Mechanical Specifications:**

This worm-type right-angle gearing features hardened, steel worm with bronze worm wheel for long life and quiet operation. Precision machined aluminum housings are used. Gearbox has all ball bearings. The housing is sealed and lubrication is permanent with an oil bath. The output shaft is field interchangeable from left hand style to right hand style by reassembly.

**Application Notes:**

For optimum seal life, these right-angle gearmotors have a lubrication breather positioned for horizontal mounting. For other mountings, the breather-plug must be reoriented by using a 90/8" NPT taper pipe elbow (see drawing). Elbow not available from LEESON. Vent plug is available (Part #M1900177\_01). However, the motor portion of the gearmotor should never be mounted below the gearhead.



Overhung load capacities shown are at center of output shaft. **Conduit box not supplied with motor.** See page 179 for optional conduit box and optional base kit.

See page 254 for cross reference data between LEESON and other gearmotors.

For additional information on LEESON gearmotors, see Bulletin 1830.

BODINE/DAYTON  
DIRECT INTERCHANGE

RIGHT-ANGLE DC • SCR RATED  
TENV • 1.0 SERVICE FACTOR

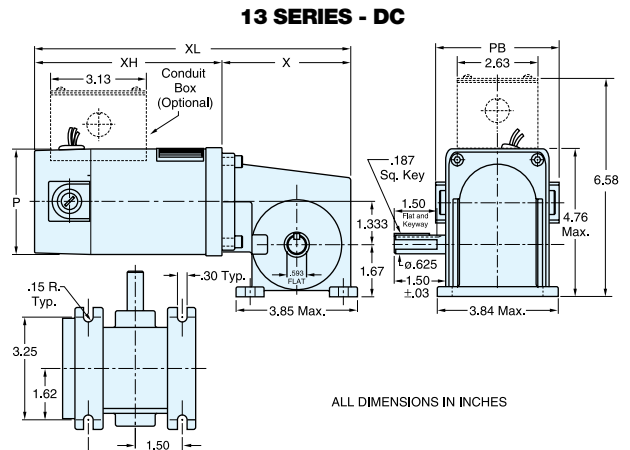
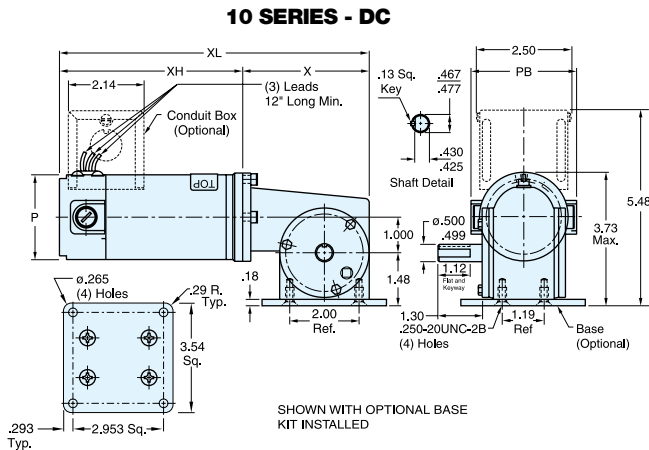
Output RPM	F.L. Torque (In.-Lbs.)	Input HP	Catalog Number	Gearmotor Type & Frame	Ratio to 1	Arm Volts DC	Full Load Amps. DC	Over-hung Load (Lbs.)	DIMENSIONS				
									P	PB	X Inches	XL	XH
42	22	1/17	M1115018.00	10F60-25D	60	90	1.00	185	2.50	3.00	3.60	8.79	5.19
62	19	1/17	M1115019.00	10F40-25D	40	90	1.00	185	2.50	3.00	3.60	8.79	5.19
125	16	1/17	M1115020.00	10F20-25D	20	90	1.00	185	2.50	3.00	3.60	8.79	5.19
250	10	1/17	M1115021.00	10F10-25D	10	90	1.00	185	2.50	3.00	3.60	8.79	5.19
500	5	1/17	M1115022.00	10F05-25D	5	90	1.00	185	2.50	3.00	3.60	8.79	5.19
42	30	1/12	M1135053.00	13F60-34A	60	180	0.53	235	3.38	4.00	4.50	9.64	5.14
62	35	1/12	M1135054.00 A	13F40-34A	40	180	0.53	235	3.38	4.00	4.50	9.64	5.14
125	18	1/12	M1135055.00	13F20-34A	20	180	0.53	235	3.38	4.00	4.50	9.64	5.14
250	10	1/12	M1135056.00 A	13F10-34A	10	180	0.53	235	3.38	4.00	4.50	9.64	5.14
500	5	1/12	M1135057.00 A	13F05-34A	5	180	0.53	235	3.38	4.00	4.50	9.64	5.14
42	80	1/8	M1135069.00	13F60-34C	60	90	1.40	235	3.38	4.00	4.50	10.64	6.14
62	70	1/8	M1135038.00	13F40-34C	40	90	1.40	235	3.38	4.00	4.50	10.64	6.14
62	70	1/8	M1135058.00	13F40-34C	40	180	0.70	235	3.38	4.00	4.50	10.64	6.14
125	45	1/8	M1135039.00	13F20-34C	20	90	1.40	235	3.38	4.00	4.50	10.64	6.14
125	45	1/8	M1135059.00	13F20-34C	20	180	0.70	235	3.38	4.00	4.50	10.64	6.14
250	25	1/8	M1135040.00	13F10-34C	10	90	1.40	235	3.38	4.00	4.50	10.64	6.14
250	25	1/8	M1135060.00	13F10-34C	10	180	0.70	235	3.38	4.00	4.50	10.64	6.14
500	13	1/8	M1135041.00	13F05-34C	5	90	1.40	235	3.38	4.00	4.50	10.64	6.14
500	13	1/8	M1135061.00 A	13F05-34C	5	180	0.70	235	3.38	4.00	4.50	10.64	6.14
62	135	1/4	M1135042.00	13F40-34G	40	90	2.30	235	3.38	4.00	4.50	12.64	8.14
62	135	1/4	M1135062.00	13F40-34G	40	180	1.30	235	3.38	4.00	4.50	12.64	8.14
83	125	1/4	M1135043.00	13F30-34G	30	90	2.30	235	3.38	4.00	4.50	12.64	8.14
83	125	1/4	M1135063.00	13F30-34G	30	180	1.30	235	3.38	4.00	4.50	12.64	8.14
125	90	1/4	M1135044.00	13F20-34G	20	90	2.30	235	3.38	4.00	4.50	12.64	8.14
125	90	1/4	M1135064.00	13F20-34G	20	180	1.30	235	3.38	4.00	4.50	12.64	8.14
250	50	1/4	M1135045.00	13F10-34G	10	90	2.30	235	3.38	4.00	4.50	12.64	8.14
250	50	1/4	M1135065.00	13F10-34G	10	180	1.30	235	3.38	4.00	4.50	12.64	8.14
500	30	1/4	M1135046.00	13F05-34G	5	90	2.30	235	3.38	4.00	4.50	12.64	8.14
500	30	1/4	M1135066.00	13F05-34G	5	180	1.30	235	3.38	4.00	4.50	12.64	8.14

GEARMOTORS

RIGHT-ANGLE DC • LOW VOLTAGE (12V)  
TENV • 1.0 SERVICE FACTOR

Output RPM	F.L. Torque (In.-Lbs.)	Input HP	Catalog Number	Gearmotor Type & Frame	Ratio to 1	Arm Volts DC	Full Load Amps. DC	Over-hung Load (Lbs.)	DIMENSIONS				
									P	PB	X Inches	XL	XH
42	80	1/8	M1135249.00 A	13F60-34	60	12	11.0	235	3.38	4.21	4.50	10.39	5.89
250	25	1/8	M1135250.00	13F10-34	10	12	11.0	235	3.38	4.21	4.50	10.39	5.89
62	135	1/4	M1135251.00	13F40-34	40	12	21.0	235	3.38	4.21	4.50	12.64	8.14
125	90	1/4	M1135252.00	13F20-34	20	12	21.0	235	3.38	4.21	4.50	12.64	8.14

A Subject to Availability.



Specifications are subject to change without notice