



ODP

**208, 230/460 & 460 VOLTS • 3-PHASE
FOOT MOUNT AND C-FACE
1/4 TO 500 HP**



Signature Series **MOTORS**

Frames 48 - 256T

Features:

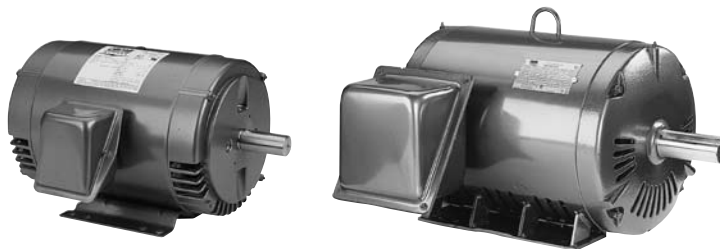
- Industry leading 1.25 service factor*
- Two levels of premium efficiency - P efficiency codes meet and B efficiency codes exceed the energy efficiency requirements of the United States and Canada.
- Nameplated for 50 Hz and 208 V/60 Hz Operation
- Continuous Duty
- Inverter-Rated
- Premium Insulation Systems –
48 & 56 frames: Class B
143T-215T frames: Class F
- UL Recognized Component Listing and CSA

Applications:

For use where water and dust exposure is minimal. Ideally suited for use on pumps, compressors, blowers, fans and other standard industrial applications.



* P and B efficiency codes.



Frames 284T - 449T

Features:

- Industry leading 1.25 service factor through 200 HP*
- Superior speed-torque curves - most models* nameplated Design B & C
- Two levels of premium efficiency - P efficiency codes meet Epack and B efficiency codes meet NEMA Premium energy efficiency requirements of the United States and Canada.
- Nameplated for 50 Hz and 208 V/60 Hz Operation
- Continuous Duty
- Inverter-Rated
- Premium Class F Plus Insulation system
- Y-delta start capability frames 284T-449T
- UL Recognized Component Listing and CSA certified
- Shielded ball bearing for direct coupled applications. Contact your local sales office for belted applications.

FOOT MOUNT

HP	SYN RPM	Frame	FL Nom Eff (%)	SF	Volts	Model Number	Product Number	Approx Shpg Wght (lbs)
1/4	1800	48	62.0	1.35	230/460	SPD4S0.25T61	LM24866	19
1/3	3600	56	66.0	1.35	230/460	SRD2S0.33T61	LM24867	18
	1800	S56	67.0	1.35	230/460	SRD4S0.33T61	LM24152	15
	1200	56	62.0	1.35	230/460	SRD6S0.33T61	LM24868	19
1/2	3600	56	66.0	1.25	230/460	SRD2S0.5T61	LM24869	22
	1800	S56	70.0	1.25	230/460	SRD4S0.5T61	LM24098	17
	1200	56	68.0	1.25	230/460	SRD6S0.5T61	LM24146	22
3/4	3600	56	74.0	1.25	230/460	SRD2S0.75T61	LM24870	21
	1800	S56	75.5	1.25	230/460	SRD4S0.75T61	LM24099	20
	1200	56	76.5	1.15	230/460	SRD6S0.75T61	LM24162	26
1	3600	56	74.0	1.25	230/460	SRD2S1T61	LM24155	24
	1800	S56	76.5	1.15	230/460	SRD4S1T61	LM24111	22
	1800	143T	85.5	1.15	230/460	SSD4B1T61	LM24871	35
	1200	56H	75.5	1.15	230/460	SRD6S1T61	LM24872	29
	1200	145T	82.5	1.25	230/460	SSD6B1T61	LM32726	48
	900	182T	74.0	1.15	230/460	SSD8P1T61	LM33126	55
	1 1/2	3600	56	80.0	1.15	230/460	SRD2S1.5T61	LM24874
3600		143T	84.0	1.25	230/460	SSD2B1.5T61	LM32727	28
1800		56H	80.0	1.15	230/460	SRD4S1.5T61	LM24117	28
1800		145T	85.5	1.15	230/460	SSD4B1.5T61	LM24875	45
900		184T	75.5	1.15	230/460	SSD8P1.5T61	LM32728	88

Product numbers in red are STOCK items.

Specifications are subject to change without notice

ODP
208, 230/460 & 460 VOLTS • 3-PHASE
FOOT MOUNT AND C-FACE
1/4 TO 500 HP



FOOT MOUNT (cont'd)

HP	SYN RPM	Frame	FL Nom Eff (%)	SF	Volts	Model Number	Product Number	Approx Shpg Wght (lbs)
2	3600	56H	80.0	1.15	230/460	SRD2S2T61	LM24877	25
	3600	145T	85.5	1.25	230/460	SSD2B2T61	LM33137	28
	1800	56H	81.5	1.15	230/460	SRD4S2T61	LM24106	36
	1800	145T	86.5	1.25	230/460	SSD4B2T61	LM24169	48
	900	213T	85.5	1.15	230/460	SSD8P2T61	LM32730	115
3	3600	56H	84.0	1.15	230/460	SRD2S3T61	LM24878	33
	3600	145T	85.5	1.25	230/460	SSD2B3T61	LM32731	33
	1800	182T	89.5	1.25	230/460	SSD4B3T61	LM24222	56
	1200	213T	88.5	1.25	230/460	SSD6B3T61	LM32733	104
	900	215T	86.5	1.15	230/460	SSD8P3T61	LM32688	134
5	3600	182T	86.5	1.25	230/460	SSD2B5T61	LM32734	88
	1800	184T	89.5	1.25	230/460	SSD4B5T61	LM24202	91
	1200	215T	87.5	1.25	230/460	SSD6B5T61	LM32735	135
	900	254T	87.5	1.15	230/460	SSD8P5T61	LM32736	175
7 1/2	3600	213T	88.5	1.15	230/460	SSD2B7.5T61	LM32737	88
	1800	213T	91.0	1.25	230/460	SSD4B7.5T61	LM24194	121
	1200	254T	90.2	1.25	230/460	SSD6B7.5T61	LM32738	150
	900	256T	88.5	1.15	230/460	SSD8P7.5T61	LM32739	167
10	3600	213T	89.5	1.25	230/460	SSD2B10T61	LM32740	138
	1800	215T	91.7	1.25	230/460	SSD4B10T61	LM24193	155
	1200	256T	91.7	1.25	230/460	SSD6B10T61	LM32742	221
15	3600	215T	90.2	1.25	230/460	SSD2B15T61	LM32743	135
	1800	254T	93.0	1.25	230/460	CCD4B15T61	LM24190	300
	1800	254T	93.0	1.25	230/460	SSD4B15T61	LM32744	215
	1200	284T	91.7	1.25	230/460	CCD6B15T61Y	LM31244	420
20	3600	254T	91.0	1.25	230/460	SSD2B20T61	LM32745	161
	1800	256T	93.0	1.25	230/460	CCD4B20T61	LM24199	350
	1800	256T	93.0	1.25	230/460	SSD4B20T61	LM32746	233
	1200	286T	92.4	1.25	230/460	CCD6B20T61Y	LM30273	462
25	3600	256T	91.7	1.25	230/460	SSD2B25T61	LM32747	200
	1800	284T	93.6	1.25	230/460	CCD4B25T61Y	LM29576	350
	1800	284TS	93.6	1.25	230/460	CCD4B25TS61Y	LM32748	348
	1200	324T	93.0	1.25	230/460	SD6B25T61Y	LM13809	469
30	3600	284TS	93.0	1.25	230/460	SD2B30TS61Y	LM13966	348
	3600	284T	91.7	1.25	230/460	SD2B30T61Y	LM32687	348
	1800	286T	94.1	1.25	230/460	CCD4B30T61Y	LM29577	400
	1800	286TS	94.1	1.25	230/460	CCD4B30TS61Y	LM32749	400
	1200	326T	93.6	1.25	230/460	SD6B30T61Y	LM13810	522

Product numbers in red are STOCK items.

Specifications are subject to change without notice



ODP

**208, 230/460 & 460 VOLTS • 3-PHASE
FOOT MOUNT AND C-FACE
1/4 TO 500 HP**

FOOT MOUNT (cont'd)

HP	SYN RPM	Frame	FL Nom Eff (%)	SF	Volts	Model Number	Product Number	Approx Shpg Wght (lbs)
40	3600	286TS	93.6	1.25	230/460	SD2B40TS61Y	LM13969	389
	3600	286T	92.4	1.25	230/460	SD2B40T61Y	LM32750	389
	1800	324T	94.1	1.25	230/460	SD4B40T61Y	LM13811	469
	1800	324TS	94.1	1.25	230/460	SD4B40TS61Y	LM32751	469
	1200	364T	94.1	1.25	230/460	SD6B40T61Y	LM13924	712
50	3600	324TS	94.1	1.25	230/460	SD2B50TS61Y	LM13812	469
	3600	324T	93.0	1.25	230/460	SD2B50T61Y	LM32752	469
	1800	326T	95.0	1.25	230/460	SD4B50T61Y	LM13813	522
	1800	326TS	94.5	1.25	230/460	SD4B50TS61Y	LM32674	522
60	1200	365T	94.5	1.25	230/460	SD6B50T61Y	LM13927	763
	3600	326TS	94.5	1.25	230/460	SD2B60TS61Y	LM13814	522
	3600	326T	93.6	1.25	230/460	SD2B60T61Y	LM32682	522
	1800	364T	95.0	1.25	230/460	SD4B60T61Y	LM14813	712
75	1800	364TS	95.0	1.25	230/460	SD4B60TS61Y	LM32753	712
	1200	404T	94.5	1.25	230/460	SD6B60T61Y	LM13944	882
	3600	364TS	94.5	1.25	230/460	SD2B75TS61Y	LM14812	712
	3600	364T	93.6	1.25	230/460	SD2B75T61Y	LM32754	712
	1800	365T	95.0	1.25	230/460	SD4B75T61Y	LM14815	763
100	1800	365TS	95.0	1.25	230/460	SD4B75TS61Y	LM32755	763
	1200	405T	94.5	1.25	230/460	SD6B75T61Y	LM13947	958
	3600	365TS	95.0	1.25	230/460	SD2B100TS61Y	LM14814	763
	3600	365T	93.6	1.25	230/460	SD2B100T61Y	LM32756	763
	1800	404T	95.4	1.25	230/460	SD4B100T61Y	LM13943	882
125	1800	404TS	95.4	1.25	230/460	SD4B100TS61Y	LM32757	882
	1200	444T	95.4	1.15	460	SD6B100T64Y	LM13815	1277
	3600	404TS	95.0	1.25	230/460	SD2B125TS61Y	LM13942	882
	3600	404T	94.1	1.25	230/460	SD2B125T61Y	LM32758	882
	1800	405T	95.4	1.25	230/460	SD4B125T61Y	LM13946	958
150	1800	405TS	95.4	1.25	230/460	SD4B125TS61Y	LM32759	958
	1200	445T	95.4	1.15	460	SD6B125T64Y	LM13816	1438
	3600	405TS	95.4	1.25	230/460	SD2B150TS61Y	LM13945	958
	1800	444T	95.8	1.25	460	SD4B150T64Y	LM13817	1277
	1800	444TS	95.8	1.25	460	SD4B150TS64Y	LM32760	1277
1200	445T	95.4	1.15	460	SD6B150T64Y	LM13818	1438	

Product numbers in red are STOCK items.

Specifications are subject to change without notice

ODP
208, 230/460 & 460 VOLTS • 3-PHASE
FOOT MOUNT AND C-FACE
1/4 TO 500 HP



FOOT MOUNT (cont'd)

HP	SYN RPM	Frame	FL Nom Eff (%)	SF	Volts	Model Number	Product Number	Approx Shpg Wght (lbs)
200	3600	444TS	95.8	1.25	460	SD2B200TS64Y	LM13819	1277
	1800	445T	96.2	1.25	460	SD4B200T64Y	LM13820	1438
	1800	445TS	95.8	1.25	460	SD4B200TS64Y	LM32761	1449
	1200	449T	95.8	1.15	460	SD6B200T64Y	LM16239	2112
250	3600	445TS	95.8	1.15	460	SD2B250TS64Y	LM13822	1438
	3600	445TS	94.5	1.15	460	SD2P250TS64Y	LM13761	1438
	1800	445T	96.2	1.15	460	SD4B250T64Y	LM13823	1438
	1800	447T	96.2	1.15	460	SD4B250T64Y	LM16235	1745
	1800	445T	95.4	1.25	460	SD4P250T64Y	LM13762	1438
	1800	445TS	95.4	1.15	460	SD4P250TS64Y	LM15466	1438
	1200	447T	95.4	1.00	460	SD6B250T64Y	LM13824	1745
	1200	449T	95.4	1.15	460	SD6B250T64Y	LM17958	2112
300	3600	447TS	95.8	1.15	460	SD2B300TS64Y	LM13825	1745
	3600	447TS	95.0	1.15	460	SD2P300TS64Y	LM13764	1745
	1800	447T	96.2	1.15	460	SD4B300T64Y	LM13826	1745
	1800	449T	96.5	1.15	460	SD4B300T64Y	LM16238	2112
	1800	447T	95.4	1.15	460	SD4P300T64Y	LM13765	1745
	1800	449T	95.4	1.15	460	SD4P300T64Y	LM16227	2112
	1800	447TS	95.4	1.15	460	SD4P300TS64Y	LM22758	1745
	350	3600	447TS	95.8	1.15	460	SD2B350TS64Y	LM13828
3600		449TS	95.8	1.15	460	SD2B350TS64Y	LM16237	2112
3600		447TS	95.0	1.15	460	SD2P350TS64Y	LM13767	1745
3600		449TS	95.0	1.15	460	SD2P350TS64Y	LM16226	2112
1800		447T	96.2	1.15	460	SD4B350T64Y	LM13829	1745
1800		449T	96.2	1.15	460	SD4B350T64Y	LM17957	2112
1800		447T	95.0	1.00	460	SD4P350T64Y	LM13768	1745
1800		449T	95.4	1.15	460	SD4P350T64Y	LM17954	2112
1800		447TS	95.0	1.00	460	SD4P350TS64Y	LM15159	1745
400		3600	449TS	96.2	1.15	460	SD2B400TS64Y	LM13831
	3600	449TS	95.4	1.15	460	SD2P400TS64Y	LM13770	2112
	1800	449T	95.8	1.15	460	SD4B400T64Y	LM13832	2112
	1800	449T	95.4	1.15	460	SD4P400T64Y	LM13771	2112
	1800	449TS	95.4	1.15	460	SD4P400TS64Y	LM22759	2112

C-FACE WITH FEET

HP	SYN RPM	Frame	FL Nom Eff (%)	SF	Volts	Model Number	Product Number	Approx Shpg Wght (lbs)
1/3	1800	S56	67.0	1.35	230/460	SRD4S0.33TC61	LM24277	15
1/2	3600	56C	66.0	1.25	230/460	SRD2S0.5TC61	LM24879	18
	1800	S56	70.0	1.25	230/460	SRD4S0.5TC61	LM24880	17
	1200	56C	68.0	1.25	230/460	SRD6S0.5TC61	LM24881	33

Product numbers in red are STOCK items.

Specifications are subject to change without notice

C-FACE WITH FEET (cont'd)

HP	SYN RPM	Frame	FL Nom Eff (%)	SF	Volts	Model Number	Product Number	Approx Shpg Wght (lbs)
3/4	3600	56C	74.0	1.25	230/460	SRD2S0.75TC61	LM24882	21
	1800	S56	75.5	1.25	230/460	SRD4S0.75TC61	LM24267	20
	1200	56C	76.5	1.15	230/460	SRD6S0.75TC61	LM24883	26
1	3600	56C	74.0	1.25	230/460	SRD2S1TC61	LM24884	24
	1800	S56	76.5	1.15	230/460	SRD4S1TC61	LM24346	22
	1800	143TC	85.5	1.25	230/460	SSD4B1TC61	LM32762	34
	1200	56HC	75.5	1.15	230/460	SRD6S1TC61	LM24885	29
	1200	145TC	80.0	1.25	230/460	SSD6B1TC61	LM32763	48
1 1/2	3600	56C	80.0	1.15	230/460	SRD2S1.5TC61	LM24887	23
	3600	143TC	84.0	1.25	230/460	SSD2B1.5TC61	LM32764	28
	1800	56HC	80.0	1.15	230/460	SRD4S1.5TC61	LM24889	28
	1800	145TC	86.5	1.15	230/460	SSD4B1.5TC61	LM32765	40
	1200	182TC	86.5	1.15	230/460	SSD6B1.5TC61	LM32766	80
2	3600	56HC	80.0	1.15	230/460	SRD2S2TC61	LM24891	25
	3600	145TC	85.5	1.25	230/460	SSD2B2TC61	LM32767	28
	1800	56HC	81.5	1.15	230/460	SRD4S2TC61	LM24345	36
	1800	145TC	86.5	1.25	230/460	SSD4B2TC61	LM32768	44
	1200	184TC	87.5	1.25	230/460	SSD6B2TC61	LM32769	74
3	3600	56HC	84.0	1.15	230/460	SRD2S3TC61	LM24894	33
	3600	145TC	85.5	1.25	230/460	SSD2B3TC61	LM32770	33
	1800	182TC	89.5	1.25	230/460	SSD4B3TC61	LM32771	83
	1200	213TC	88.5	1.25	230/460	SSD6B3TC61	LM32772	104
5	3600	182TC	86.5	1.15	230/460	SSD2B5TC61	LM32773	83
	1800	184TC	89.5	1.25	230/460	SSD4B5TC61	LM32774	93
	1200	215TC	89.5	1.25	230/460	SSD6B5TC61	LM32775	135
7 1/2	3600	184TC	88.5	1.15	230/460	SSD2B7.5TC61	LM32776	105
	1800	213TC	91.0	1.25	230/460	SSD4B7.5TC61	LM32666	115
	1200	254TC	90.2	1.25	230/460	SSD6B7.5TC61	LM32777	150
10	3600	213TC	89.5	1.25	230/460	SSD2B10TC61	LM32778	138
	1800	215TC	91.7	1.25	230/460	SSD4B10TC61	LM32649	138
	1200	256TC	91.7	1.25	230/460	SSD6B10TC61	LM32779	221
15	3600	215TC	90.2	1.15	230/460	SSD2B15TC61	LM32780	135
	1800	254TC	96.0	1.25	230/460	SSD4B15TC61	LM32781	215
	1200	284TC	91.7	1.25	230/460	CCD6B15TC61Y	LM31247	420
	1200	284TC	91.7	1.25	230/460	SD6B15TC61Y	LM32806	355
20	3600	254TC	91.0	1.25	230/460	SSD2B20TC61	LM32782	161
	1800	256TC	93.0	1.25	230/460	SSD4B20TC61	LM32783	233
	1200	286TC	92.4	1.25	230/460	CCD6B20TC61Y	LM31248	462
25	3600	256TC	91.7	1.25	230/460	SSD2B25TC61	LM32784	207
	1800	284TC	93.6	1.25	230/460	CCD4B25TC61Y	LM31245	430
	1800	284TSC	91.7	1.25	230/460	CCD4B24TSC61Y	LM32785	350
	1200	324TC	93.0	1.25	230/460	SD6B25TC61Y	LM14535	479
30	3600	284TSC	93.0	1.25	230/460	SD2B30TSC61Y	LM17382	355
	1800	286TC	94.1	1.25	230/460	SD4B30TC61Y	LM31246	489
	1800	286TSC	4.1	1.25	230/460	CCD4B30TSC61Y	LM32786	400
	1200	326TC	93.6	1.25	230/460	SD6B30TC61Y	LM13836	532

Product numbers in red are STOCK items.

Specifications are subject to change without notice

ODP
208, 230/460 & 460 VOLTS • 3-PHASE
FOOT MOUNT AND C-FACE
1/4 TO 500 HP



C-FACE WITH FEET (cont'd)

HP	SYN RPM	Frame	FL Nom Eff (%)	SF	Volts	Model Number	Product Number	Approx Shpg Wght (lbs)
40	3600	286TSC	93.6	1.25	230/460	SD2B40TSC61Y	LM17384	396
	1800	324TC	94.1	1.25	230/460	SD4B40TC61Y	LM13837	479
	1800	324TSC	94.1	1.25	230/460	SD4B40TSC61Y	LM32684	479
	1200	364TC	94.1	1.25	230/460	SD6B40TC61Y	LM15571	724
50	3600	324TSC	94.1	1.25	230/460	SD2B50TSC61Y	LM13838	479
	3600	324TSC	94.5	1.25	230/460	SD2P50TSC61Y	LM13839	479
	1800	326TC	94.5	1.25	230/460	SD4B50TC61Y	LM13839	532
	1800	326TSC	94.5	1.25	230/460	SD4B50TSC61Y	LM32655	532
1200	365TC	94.5	1.25	230/460	SD6B50TC61Y	LM15574	775	
60	3600	326TSC	94.5	1.25	230/460	SD2B60TSC61Y	LM13840	532
	1800	364TC	95.0	1.25	230/460	SD4B60TC61Y	LM15570	724
	1800	364TSC	94.5	1.25	230/460	SD4B60TSC61Y	LM32787	724
1200	404TC	94.5	1.25	230/460	SD6B60TC61Y	LM17385	898	
75	3600	364TSC	95.0	1.25	230/460	SD2B75TSC61Y	LM15569	724
	1800	365TC	95.0	1.25	230/460	SD4B75TC61Y	LM15573	775
	1800	365TSC	95.0	1.25	230/460	SD4B75TSC61Y	LM32656	775
1200	405TC	95.4	1.25	230/460	SD6B75TC61Y	LM17386	974	
100	3600	365TSC	95.0	1.25	230/460	SD2B100TSC61Y	LM15572	775
	1800	404TC	95.4	1.25	230/460	SD4B100TC61Y	LM17387	898
	1800	404TSC	95.4	1.25	230/460	SD4B100TSC61Y	LM32788	898
1200	444TC	95.4	1.15	460	SD6B100TC64Y	LM13791	1298	
125	3600	404TSC	95.0	1.25	230/460	SD2B125TSC61Y	LM17388	898
	1800	405TSC	95.4	1.25	230/460	SD4B125TSC61Y	LM32657	974
	1200	445TC	95.4	1.15	460	SD6B125TC64Y	LM13792	1459
150	3600	405TSC	95.4	1.25	230/460	SD2B150TSC61Y	LM17390	974
	1800	444TC	95.8	1.25	460	SD4B150TC64Y	LM13793	1298
	1800	444TSC	95.8	1.25	460	SD4B150TSC64Y	LM32789	1298
	1200	445TC	95.4	1.15	460	SD6B150TC64Y	LM13794	1459
200	3600	444TSC	95.8	1.25	460	SD2B200TSC64Y	LM13795	1298
	1800	445TC	96.2	1.25	460	SD4B200TC64Y	LM13796	1459
	1800	445TSC	95.8	1.25	460	SD4B200TSC64Y	LM32677	1470
1200	447TC	95.4	1.15	460	SD6B200TC64Y	LM13797	1766	

Product numbers in red are STOCK items.

Specifications are subject to change without notice

C-FACE WITH FEET (cont'd)

HP	SYN RPM	Frame	FL Nom Eff (%)	SF	Volts	Model Number	Product Number	Approx Shpg Wght (lbs)
250	3600	445TSC	95.8	1.15	460	SD2B250TSC64Y	LM13798	1459
	3600	445TSC	94.5	1.15	460	SD2P250TSC64Y	LM13787	1459
	1800	445TC	96.2	1.15	460	SD4B250TC64Y	LM13799	1459
	1800	445TC	95.4	1.25	460	SD4P250TC64Y	LM13788	1459
	1800	445TSC	95.4	1.15	460	SD4P250TSC64Y	LM20695	1459
	1200	447TC	95.4	1.00	460	SD6B250TC64Y	LM13841	1766
300	3600	447TSC	95.8	1.15	460	SD2B300TSC64Y	LM13842	1766
	3600	447TSC	95.0	1.15	460	SD2P300TSC64Y	LM13790	1766
	1800	447TC	96.2	1.15	460	SD4B300TC64Y	LM13843	1766
	1800	447TC	95.4	1.15	460	SD4P300TC64Y	LM15312	1766
	1200	449TC	95.4	1.00	460	SD6B300TC64Y	LM13844	2133
	1200	449TC	95.4	1.00	460	SD6P300TC64Y	LM13801	2133
350	3600	447TSC	95.8	1.15	460	SD2B350TSC64Y	LM13845	1766
	3600	447TSC	95.0	1.15	460	SD2P350TSC64Y	LM13802	1766
	1800	447TC	96.2	1.15	460	SD4B350TC64Y	LM13846	1766
	1800	447TC	95.4	1.15	460	SD4P350TC64Y	LM13803	1766
400	3600	449TSC	96.2	1.15	460	SD2B400TSC64Y	LM13848	2133
	3600	449TSC	95.4	1.15	460	SD2P400TSC64Y	LM13805	2133
	1800	449TC	95.8	1.15	460	SD4B400TC64Y	LM13849	2133
	1800	449TC	95.4	1.15	460	SD4P400TC64Y	LM13806	2133
450	3600	449TSC	95.8	1.15	460	SD2B450TSC64Y	LM13850	2133
	3600	449TSC	95.8	1.00	460	SD2P450TSC64Y	LM13807	2133
	1800	449TC	96.2	1.15	460	SD4B450TC64Y	LM13718	2133
	1800	449TC	95.8	1.00	460	SD4P450TC64Y	LM13808	2133

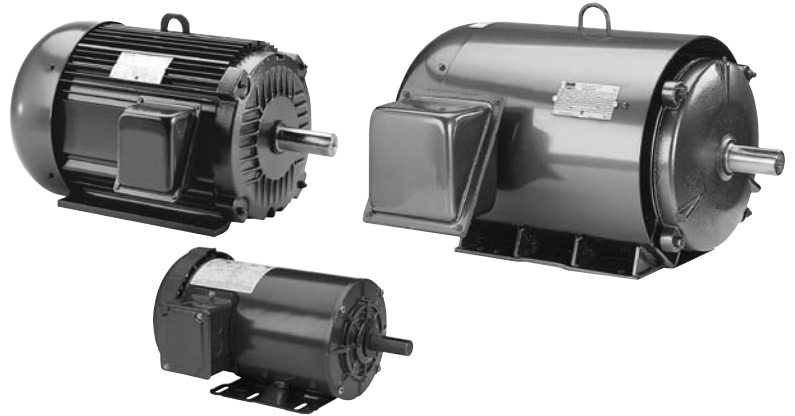
C-FACE FOOTLESS

HP	SYN RPM	Frame	FL Nom Eff (%)	SF	Volts	Model Number	Product Number	Approx Shpg Wght (lbs)
1/3	3600	56C	66.0	1.35	230/460	SRD2S0.33TCN61	LM24909	19
	1800	S56	67.0	1.35	230/460	SRD4S0.33TCN61	LM24910	15
1/2	3600	56C	66.0	1.25	230/460	SRD2S0.5TCN61	LM24911	19
	1800	S56	70.0	1.25	230/460	SRD4S0.5TCN61	LM24912	17
	1200	56C	68.0	1.25	230/460	SRD6S0.5TCN61	LM24913	21
3/4	3600	56C	74.0	1.25	230/460	SRD2S0.75TCN61	LM24914	20
	1800	56C	75.5	1.15	230/460	SRD4S0.75TCN61	LM24915	20
1	3600	56C	74.0	1.25	230/460	SRD2S1TCN61	LM24916	22
	1800	S56	76.5	1.15	230/460	SRD4S1TCN61	LM24917	22
	1800	143TC	77.0	1.15	230/460	SSD4P1TCN61	LM32790	27
1 1/2	3600	56C	80.0	1.15	230/460	SRD2S1.5TCN61	LM24919	23
	1800	56HC	80.0	1.15	230/460	SRD4S1.5TCN61	LM24160	27
	1800	145TC	80.0	1.15	230/460	SSD4P1.5TCN61	LM32791	29
2	3600	56HC	80.0	1.15	230/460	SRD2S2TCN61	LM24921	25
	1800	56HC	81.5	1.15	230/460	SRD4S2TCN61	LM24131	33
	1800	145TC	84.0	1.15	230/460	SSD4P2TCN61	LM32792	35
3	3600	56HC	84.0	1.15	230/460	SRD2S3TCN61	LM24923	31
	3600	145TC	86.5	1.15	230/460	SSD2P3TCN61	LM32793	33
	1800	182TC	81.5	1.15	230/460	SSD4P3TCN61	LM32794	63
5	1800	184TC	87.5	1.25	230/460	SSD4P5TCN61	LM24234	93
7 1/2	1800	213TC	88.5	1.15	230/460	SSD4P7.5TCN61	LM32800	95
10	1800	215TC	89.5	1.15	230/460	SSD4P10TCN61	LM32801	128

Product numbers in red are STOCK items.
Specifications are subject to change without notice

Signature Series **MOTORS****Frames 48 - 215T****Features:**

- Industry leading 1.25 service factor*
- Nameplated for 50 Hz and 208 V/60 Hz Operation
- Continuous Duty
- Inverter-Rated
- Construction materials (reference Model Number) -
SPF, SRF & SSF: steel frame/cast aluminum brackets
- Premium Insulation Systems –
48 & 56 frames: Class B
143T-215T frames: Class F
- UL Recognized Component Listing and CSA certified

**Frames 182T - 449T****Features:**

- Industry leading 1.25 service factor through 75 HP*
- Superior speed-torque curves – most models* nameplated Design B & C
- Two levels of premium efficiency – P efficiency codes meet EPACT and B efficiency codes meet NEMA Premium energy efficiency requirements of the United States and Canada.
- Nameplated for 50 Hz and 208 V/60 Hz Operation
- Continuous Duty
- Inverter-Rated
- Construction Materials (reference Model Number) –
AF, AAF: extruded aluminum frame and cast iron brackets
SF: steel frame and cast iron brackets
- Premium Class F Plus Insulation system
- Y-delta start capability frames 284T-449T
- UL Recognized Component Listing and CSA certified
- Shielded ball bearing for direct coupled applications. Contact your local sales office for belted applications.

Applications:

For use where exposure to water, dust and corrosives exists. Ideally suited for use on pumps, compressors, fans, blowers, conveyors, machine tools and other industrial applications.

* P and B efficiency codes.

FOOT MOUNT

HP	SYN RPM	Frame	FL Nom Eff (%)	SF	Volts	Model Number	Product Number	Approx Shpg Wght (lbs)
1/4	1800	48	62.5	1.15	230/460	SPF4S0.25T61	LM24929	17
1/3	1800	48	65.5	1.15	230/460	SPF4S0.33T61	LM24930	20
	1800	S56	65.5	1.15	230/460	SRF4S0.33T61	LM24107	16
	1200	56	62.0	1.15	230/460	SRF6S0.33T61	LM24931	22
1/2	3600	56	69.0	1.15	230/460	SRF2S0.5T61	LM24165	22
	1800	48	70.0	1.15	230/460	SPF4S0.5T61	LM24932	23
	1800	S56	70.0	1.15	230/460	SRF4S0.5T61	LM24073	18
	1200	56	68.0	1.15	230/460	SRF6S0.5T61	LM24105	24
	900	143T	66.0	1.15	230/460	SSF8S0.5T61	LM24291	31
3/4	3600	56	74.0	1.15	230/460	SRF2S0.75T61	LM24133	23
	1800	S56	75.5	1.15	230/460	SRF4S0.75T61	LM24075	30
	1200	56	74.0	1.15	230/460	SRF6S0.75T61	LM24136	28
	1200	143T	74.0	1.15	230/460	SSF6S0.75T61	LM24103	29
	900	145T	70.0	1.15	230/460	SSF8S0.75T61	LM24276	49
	900	182T	74.0	1.15	230/460	AAF8P1T61	LM32662	64
1	3600	56	74.0	1.15	230/460	SRF2S1T61	LM24094	24
	1800	56	77.0	1.15	230/460	SRF4S1T61	LM24078	27
	1800	143T	85.5	1.25	230/460	SSF4B1T61	LM32796	41
	1200	145T	82.5	1.25	230/460	SSF6B1T61	LM33121	34
	1200	56H	78.5	1.15	230/460	SRF6S1T61	LM24159	35
	900	182T	74.0	1.15	230/460	AAF8P1T61	LM32662	64
	900	184T	77.0	1.15	230/460	AAF8P1.5T61	LM32798	71
1 1/2	3600	56	80.0	1.15	230/460	SRF2S1.5T61	LM24144	34
	3600	143T	84.0	1.25	230/460	SSF2B1.5T61	LM33122	32
	1800	56H	80.0	1.15	230/460	SRF4S1.5T61	LM24118	30
	1800	145T	86.5	1.25	230/460	SSF4B1.5T61	LM33123	45
	1200	182T	87.7	1.25	230/460	AAF6B1.5T61	LM15648	83
	900	184T	77.0	1.15	230/460	AAF8P1.5T61	LM32798	71
2	3600	56H	82.5	1.15	230/460	SRF2S2T61	LM24347	39
	3600	145T	85.5	1.25	230/460	SSF2B2T61	LM33124	31
	1800	56H	82.5	1.15	230/460	SRF4S2T61	LM24097	40
	1800	145T	86.5	1.25	230/460	SSF4B2T61	LM33125	41
	1200	184T	88.5	1.25	230/460	AAF6B2T61	LM15651	92
	900	213T	82.5	1.15	230/460	AF8P2T61	LM32799	101
3	3600	56H	84.0	1.15	230/460	SRF2S3T61	LM24935	51
	3600	182T	87.5	1.25	230/460	AAF2B3T61	LM15646	83
	1800	182T	90.2	1.25	230/460	AAF4B3T61	LM15647	83
	1800	182T	89.5	1.15	230/460	SSF4B3T61	LM32741	77
	1800	182T	89.5	1.25	230/460	AAF4B3T61AP23	LM70009	60
	1200	213T	89.5	1.25	230/460	AF6B3T61	LM16030	127
	900	215T	84.0	1.15	230/460	AF8P3T61	LM32664	119

Product numbers in red are STOCK items.

Specifications are subject to change without notice

TEFC
208, 230/460 AND 460 VOLTS • 3-PHASE
FOOT MOUNT & C-FACE
1/4 TO 400 HP



FOOT MOUNT (cont'd)

HP	SYN RPM	Frame	FL Nom Eff (%)	SF	Volts	Model Number	Product Number	Approx Shpg Wght (lbs)
5	3600	184T	89.5	1.25	230/460	AAF2B5T61	LM15649	92
	1800	184T	90.2	1.25	230/460	AAF4B5T61	LM15650	92
	1800	184T	87.5	1.15	230/460	SSF4B5T61	LM32295	85
	1800	184T	87.5	1.25	230/460	AAF4B5T61AP23	LM70010	75
	1200	215T	89.5	1.25	230/460	AF6B5T61	LM16033	138
	1200	215T	89.5	1.15	230/460	SSF6B5T61	LM32802	140
	900	254T	85.5	1.15	230/460	AF8P5T61	LM32803	159
7 1/2	3600	213T	91.0	1.25	230/460	AF2B7.5T61	LM28968	127
	3600	213T	89.5	1.15	230/460	SSF2B7.5T61	LM32804	109
	1800	213T	91.0	1.25	230/460	AF4B7.5T61	LM16029	127
	1800	213T	91.0	1.15	230/460	SSF4B7.5T61	LM32805	115
	1800	213T	91.0	1.25	230/460	AAF4B7.5T61AP23	LM70011	110
	1200	254T	91.0	1.25	230/460	AF6B7.5T61	LM15672	209
10	900	256T	85.5	1.15	230/460	AF8P7.5T61	LM32807	195
	3600	215T	91.0	1.25	230/460	AF2B10T61	LM16031	138
	3600	215T	90.2	1.15	230/460	SSF2B10T61	LM32808	126
	1800	215T	91.7	1.25	230/460	AF4B10T61	LM16032	138
	1800	215T	91.7	1.15	230/460	SSF4B10T61	LM32809	135
	1800	215T	91.7	1.25	230/460	AAF4B1061AP23	LM70012	125
15	1200	256T	91.0	1.25	230/460	AF6B10T61	LM15675	236
	3600	254T	91.7	1.25	230/460	AAF2B15T61	LM15670	209
	1800	254T	92.4	1.25	230/460	AAF4B15T61	LM15671	209
20	1200	284T	92.4	1.25	230/460	AF6B15T61Y	LM13962	363
	3600	256T	91.7	1.25	230/460	AF2B20T61	LM15673	236
	1800	256T	93.0	1.25	230/460	AAF4B20T61	LM15674	236
25	1200	286T	93.0	1.25	230/460	AF6B20T61Y	LM13965	408
	3600	284TS	93.0	1.25	230/460	AF2B25TS61Y	LM13960	363
	3600	284T	91.7	1.25	230/460	AF2B25T61Y	LM32811	363
	1800	284T	94.1	1.25	230/460	AF4B25T61Y	LM13961	363
	1800	284TS	93.6	1.25	230/460	AF4B25TS61Y	LM32812	363
1200	324T	93.0	1.25	230/460	SF6B25T61Y	LM13696	504	

Product numbers in red are STOCK items.

Specifications are subject to change without notice



TEFC

**208, 230/460 AND 460 VOLTS • 3-PHASE
FOOT MOUNT & C-FACE
1/4 TO 400 HP**

FOOT MOUNT (cont'd)

HP	SYN RPM	Frame	FL Nom Eff (%)	SF	Volts	Model Number	Product Number	Approx Shpg Wght (lbs)
30	3600	286TS	93.0	1.25	230/460	AF2B30TS61Y	LM13963	408
	3600	286T	93.6	1.25	230/460	AF2B30T61Y	LM32813	408
	1800	286T	94.5	1.25	230/460	AF4B30T61Y	LM13964	408
	1800	286TS	93.6	1.25	230/460	AF4B30TS61Y	LM32814	408
	1200	326T	93.0	1.25	230/460	SF6B30T61Y	LM13697	558
40	3600	324TS	94.1	1.25	230/460	SF2B40TS61Y	LM13698	504
	3600	324T	94.1	1.25	230/460	SF2B40T61Y	LM32671	504
	1800	324T	94.1	1.25	230/460	SF4B40T61Y	LM13699	504
	1800	324TS	94.1	1.25	230/460	SF4B40TS61Y	LM32686	504
	1200	364T	94.5	1.25	230/460	SF6B40T61Y	LM13918	765
50	3600	326TS	94.1	1.25	230/460	SF2B50TS61Y	LM13700	558
	3600	326T	94.1	1.25	230/460	SF2B50T61Y	LM32669	558
	1800	326T	95.0	1.25	230/460	SF4B50T61Y	LM13701	558
	1800	326TS	94.5	1.25	230/460	SF4B50TS61Y	LM32815	558
	1200	365T	94.5	1.25	230/460	SF6B50T61Y	LM13921	822
60	3600	364TS	95.0	1.25	230/460	SF2B60TS61Y	LM14808	765
	3600	364T	94.5	1.25	230/460	SF2B60T61Y	LM32816	765
	1800	364T	95.0	1.25	230/460	SF4B60T61Y	LM14809	765
	1800	364TS	94.5	1.25	230/460	SF4B60TS61Y	LM32676	765
	1200	404T	94.5	1.15	230/460	SF6B60T61Y	LM13938	918
75	3600	365TS	95.0	1.25	230/460	SF2B75TS61Y	LM14810	822
	3600	365T	95.0	1.25	230/460	SF2B75T61Y	LM32729	822
	1800	365T	95.0	1.15	230/460	SF4B75T61Y	LM14811	822
	1800	365TS	95.0	1.25	230/460	SF4B75TS61Y	LM32672	822
	1200	405T	94.5	1.15	230/460	SF6B75T61Y	LM13941	1002
100	3600	405TS	94.5	1.15	230/460	SF2B100TS61Y	LM13939	1002
	3600	405T	95.4	1.15	230/460	SF2B100T61Y	LM32818	1002
	1800	405T	95.4	1.15	230/460	SF4B100T61Y	LM13940	1002
	1800	405TS	95.4	1.15	230/460	SF4B100TS61Y	LM32819	1002
	1200	444T	95.4	1.15	460	SF6B100T64Y	LM13702	1351
125	3600	444TS	95.0	1.15	460	SF2B125TS64Y	LM13703	1351
	1800	444T	96.2	1.15	460	SF4B125T64Y	LM13704	1351
	1800	444TS	96.2	1.15	460	SF4B125TS64Y	LM32820	1351
	1200	445T	95.0	1.15	460	SF6B125T64Y	LM13705	1531

Product numbers in red are STOCK items.
Specifications are subject to change without notice

TEFC
208, 230/460 AND 460 VOLTS • 3-PHASE
FOOT MOUNT & C-FACE
1/4 TO 400 HP



FOOT MOUNT (cont'd)

HP	SYN RPM	Frame	FL Nom Eff (%)	SF	Volts	Model Number	Product Number	Approx Shpg Wght (lbs)
150	3600	445TS	95.8	1.15	460	SF2B150TS64Y	LM13706	1531
	1800	445T	96.2	1.15	460	SF4B150T64Y	LM13707	1531
	1800	445TS	96.2	1.15	460	SF4B150TS64Y	LM32679	1504
	1200	447T	95.8	1.15	460	SF6B150T64Y	LM16231	1812
200	3600	447TS	95.4	1.15	460	SF2B200TS64Y	LM16229	1812
	3600	445TS	95.4	1.15	460	SF2B200TS64Y	LM13709	1531
	1800	447T	96.2	1.15	460	SF4B200T64Y	LM16230	1812
	1800	445T	96.2	1.15	460	SF4B200T64Y	LM13710	1531
	1800	445TS	96.2	1.15	460	SF4B200TS64Y	LM32821	1504
	1200	447T	95.8	1.15	460	SF6B200T64Y	LM13711	1812
250	3600	449TS	96.5	1.15	460	SF2B250TS64Y	LM16232	2185
	3600	447TS	96.2	1.15	460	SF2B250TS64Y	LM13712	1812
	3600	449TS	95.4	1.15	460	SF2P250TS64Y	LM16222	2185
	3600	447TS	95.4	1.00	460	SF2P250TS64Y	LM13556	1812
	1800	449T	96.5	1.15	460	SF4B250T64Y	LM16233	2185
	1800	447T	96.2	1.15	460	SF4B250T64Y	LM13713	1812
	1800	449T	95.0	1.15	460	SF4P250T64Y	LM16223	2185
	1800	447T	95.0	1.15	460	SF4P250T64Y	LM13557	1812
	1800	447TS	95.0	1.15	460	SF4P250TS64Y	LM14751	1812
	1800	447TS	95.0	1.15	460	SF4P250TS64Y	LM14751	1812
300	3600	449TS	96.2	1.15	460	SF2B300TS64Y	LM13715	2185
	3600	449TS	95.4	1.15	460	SF2P300TS64Y	LM13559	2185
	1800	449T	96.5	1.15	460	SF4B300T64Y	LM17956	2185
	1800	447T	96.2	1.15	460	SF4B300T64Y	LM13716	1812
	1800	449T	95.4	1.15	460	SF4P300T64Y	LM17953	2185
	1800	449TS	95.4	1.15	460	SF4P300TS64Y	LM18347	2185
	1800	447T	95.4	1.00	460	SF4P300T64Y	LM13560	1812
	1800	447TS	95.4	1.00	460	SF4P300TS64Y	LM18319	1812
	1800	449TS	95.8	1.15	460	SF2B350TS64Y	LM13719	2185
	1800	449TS	95.4	1.00	460	SF2P350TS64Y	LM13562	2185
350	1800	449T	96.2	1.15	460	SF4B350T64Y	LM13720	2185
	1800	449T	95.4	1.15	460	SF4P350T64Y	LM13563	2185
	1800	449T	95.4	1.15	460	SF4P350T64Y	LM13563	2185
400	3600	449TS	95.8	1.00	460	SF2B400TS64Y	LM13721	2185
	3600	449TS	95.4	1.00	460	SF2P400TS64Y	LM13564	2185
	1800	449T	96.2	1.15	460	SF4B400T64Y	LM13722	2185
	1800	449T	95.4	1.00	460	SF4P400T64Y	LM13565	2185

Product numbers in red are STOCK items.

Specifications are subject to change without notice

C-FACE WITH FEET

HP	SYN RPM	Frame	FL Nom Eff (%)	SF	Volts	Model Number	Product Number	Approx Shpg Wght (lbs)
1/4	1800	S56	62.5	1.15	230/460	SRF4S0.25TC61	LM24946	21
1/3	1800	S56	65.5	1.15	230/460	SRF4S0.33TC61	LM24114	21
	1200	56C	62.0	1.15	230/460	SRF6S0.33TC61	LM24948	22
1/2	3600	56C	69.0	1.15	230/460	SRF2S0.5TC61	LM24129	22
	1800	S56	70.0	1.15	230/460	SRF4S0.5TC61	LM24074	18
	1200	56C	68.0	1.15	230/460	SRF6S0.5TC61	LM24104	24
	900	143TC	66.0	1.15	230/460	SSF8S0.5TC61	LM24949	31
3/4	3600	56C	74.0	1.15	230/460	SRF2S0.75TC61	LM24134	22
	1800	S56	75.5	1.15	230/460	SRF4S0.75TC61	LM24076	20
	1200	56C	74.0	1.15	230/460	SRF6S0.75TC61	LM24140	26
	1200	143TC	74.0	1.15	230/460	SSF6S0.75TC61	LM24273	28
	900	145TC	70.0	1.15	230/460	SSF8S0.75TC61	LM24265	49
1	3600	56C	74.0	1.15	230/460	SRF2S1TC61	LM24126	25
	1800	56C	77.0	1.15	230/460	SRF4S1TC61	LM24079	28
	1800	143TC	85.5	1.25	230/460	SSF4B1TC61	LM32822	41
	1200	56HC	78.5	1.15	230/460	SRF6S1TC61	LM24349	38
	1200	145TC	82.5	1.25	230/460	SSF6B1TC61	LM32823	47
1 1/2	900	182TC	74.0	1.15	230/460	AAF8P1TC61	LM32692	68
	3600	56C	80.0	1.15	230/460	SRF2S1.5TC61	LM24135	41
	3600	143TC	84.0	1.25	230/460	SSF2B1.5TC61	LM32824	41
	1800	56HC	80.0	1.15	230/460	SRF4S1.5TC61	LM24095	31
	1800	145TC	86.5	1.25	230/460	SSF4B1.5TC61	LM32825	44
	1200	182TC	87.5	1.25	230/460	AAF6B1.5TC61	LM16728	95
2	1200	182TC	87.5	1.15	230/460	SSF6B1.5TC61	LM32826	54
	900	184TC	77.0	1.15	230/460	AAF8P1.5TC61	LM32827	75
	3600	56HC	82.5	1.15	230/460	SRF2S2TC61	LM24121	38
	3600	145TC	85.5	1.25	230/460	SSF2B2TC61	LM32828	40
	1800	56HC	82.5	1.15	230/460	SRF4S2TC61	LM24081	50
	1800	145TC	86.5	1.25	230/460	SSF4B2TC61	LM32829	46
	1200	184TC	87.5	1.25	230/460	AAF6B2TC61	LM16739	104
	1200	184TC	88.5	1.15	230/460	SSF6B2TC61	LM32830	56
	900	213TC	82.5	1.15	230/460	AAF8P2TC61	LM32831	107
	3	3600	56HC	84.0	1.15	230/460	SRF2S3TC61	LM24953
3600		182TC	87.5	1.25	230/460	AAF2B3TC61	LM16741	95
1800		182TC	90.2	1.25	230/460	AAF4B3TC61	LM16742	95
1800		213TC	89.5	1.25	230/460	AAF4B3TC61AP23	LM71009	75
1200		213TC	89.5	1.25	230/460	AF6B3TC61	LM16744	138
1200		213TC	89.5	1.15	230/460	SSF6B3TC61	LM32833	90
900		215TC	84.0	1.15	230/460	AF8P3TC61	LM32834	125
5		3600	184TC	89.5	1.25	230/460	AAF2B5TC61	LM16745
	1800	184TC	90.2	1.25	230/460	AAF4B5TC61	LM16747	104
	1800	184TC	90.2	1.25	230/460	AAF4B3TC61AP23	LM71010	85
	1200	215TC	89.5	1.25	230/460	AF6B5TC61	LM16748	149
	1200	215TC	89.5	1.15	230/460	SSF6B5TC61	LM32835	115
	900	254TC	85.5	1.15	230/460	AF8P5TC61	LM32836	167

Product numbers in red are STOCK items.

Specifications are subject to change without notice

TEFC
208, 230/460 AND 460 VOLTS • 3-PHASE
FOOT MOUNT & C-FACE
1/4 TO 400 HP



C-FACE WITH FEET (cont'd)

HP	SYN RPM	Frame	FL Nom Eff (%)	SF	Volts	Model Number	Product Number	Approx Shpg Wght (lbs)
7 1/2	3600	213TC	91.0	1.25	230/460	AAF2B7.5TC61	LM16750	138
	3600	213TC	91.0	1.25	230/460	SSF2B7.5TC61	LM32837	110
	1800	213TC	91.0	1.25	230/460	AF4B7.5TC61	LM16752	138
	1800	213TC	91.7	1.25	230/460	AF4B7.5TC61AP23	LM71011	138
	1800	213TC	91.7	1.15	230/460	SSF4B7.5TC61	LM32838	135
	1200	254TC	91.0	1.25	230/460	AAF6B7.5TC61	LM16753	221
	900	256TC	85.5	1.15	230/460	AF8P7.5TC61	LM32839	203
10	3600	215TC	91.0	1.25	230/460	AF2B10TC61	LM16755	149
	3600	215TC	90.0	1.15	230/460	SSF2B10TC61	LM32840	125
	1800	215TC	91.0	1.25	230/460	AF4B10TC61	LM16757	149
	1800	215TC	91.7	1.25	230/460	AAF4B10TC61AP23	LM71012	149
	1800	215TC	91.7	1.15	230/460	SSF4B10TC61	LM32841	135
	1200	256TC	91.0	1.25	230/460	AF6B10TC61	LM16759	248
15	3600	254TC	91.0	1.25	230/460	AF2B15TC61	LM16761	221
	1800	254TC	92.4	1.25	230/460	AF4B15TC61	LM16762	221
	1200	284TC	91.7	1.25	230/460	AF6B15TC61Y	LM16764	370
20	3600	256TC	91.7	1.25	230/460	AF2B20TC61	LM16766	248
	1800	256TC	93.0	1.25	230/460	AF4B20TC61	LM16767	248
	1200	286TC	93.0	1.25	230/460	AF6B20TC61Y	LM16769	415
25	3600	284TSC	91.7	1.25	230/460	AF2B25TSC61Y	LM16770	370
	1800	284TC	94.1	1.25	230/460	AF4B25TC61Y	LM16772	370
	1800	284TSC	92.4	1.25	230/460	AF4B25TSC61Y	LM32654	370
	1200	324TC	93.0	1.25	230/460	SF6B25TC61Y	LM13723	514
30	3600	286TSC	92.4	1.25	230/460	AF2B30TSC61Y	LM16773	415
	1800	286TC	94.5	1.25	230/460	AF4B30TC61Y	LM16774	415
	1800	286TSC	93.6	1.25	230/460	AF4B30TSC61Y	LM32842	415
	1200	326TC	93.0	1.25	230/460	SF6B30TC61Y	LM13724	568
40	3600	324TSC	93.6	1.25	230/460	SF2B40TSC61Y	LM13725	514
	1800	324TC	94.1	1.25	230/460	SF4B40TC61Y	LM13726	514
	1800	324TSC	94.1	1.25	230/460	SF4B40TSC61Y	LM32652	514
	1200	364TC	94.5	1.25	230/460	SF6B40TC61Y	LM15565	777
50	3600	326TSC	94.1	1.25	230/460	SF2B50TSC61Y	LM13727	568
	1800	326TC	95.0	1.25	230/460	SF4B50TC61Y	LM13728	568
	1800	326TSC	94.5	1.25	230/460	SF4B50TSC61Y	LM32843	568
	1200	365TC	94.5	1.25	230/460	SF6B50TC61Y	LM15568	834

Product numbers in red are STOCK items.

Specifications are subject to change without notice



TEFC

**208, 230/460 AND 460 VOLTS • 3-PHASE
FOOT MOUNT & C-FACE
1/4 TO 400 HP**

C-FACE WITH FEET (cont'd)

HP	SYN RPM	Frame	FL Nom Eff (%)	SF	Volts	Model Number	Product Number	Approx Shpg Wght (lbs)
60	3600	364TSC	95.0	1.25	230/460	SF2B60TSC61Y	LM15562	777
	1800	364TC	95.0	1.25	230/460	SF4B60TC61Y	LM15563	777
	1800	364TSC	95.00	1.25	230/460	SF4B60TSC61Y	LM32665	777
	1200	404TC	94.5	1.15	230/460	SF6B60TC61Y	LM16716	934
75	3600	365TSC	95.0	1.25	230/460	SF2B75TSC61Y	LM15566	834
	1800	365TC	95.4	1.15	230/460	SF4B75TC61Y	LM15567	834
	1800	365TSC	95.4	1.25	230/460	SF4B75TSC61Y	LM32653	834
	1200	405TC	94.5	1.15	230/460	SF6B75TC61Y	LM16717	1018
100	3600	405TSC	95.8	1.15	230/460	SF2B100TSC61Y	LM16719	1018
	1800	405TC	95.4	1.15	230/460	SF4B100TC61Y	LM15263	1018
	1800	405TSC	95.4	1.15	230/460	SF4B100TSC61Y	LM32659	1018
	1200	444TC	95.4	1.15	460	SF6B100TC64Y	LM13729	1372
125	3600	444TSC	95.0	1.15	460	SF2B125TSC64Y	LM13730	1372
	1800	444TC	96.2	1.15	460	SF4B125TC64Y	LM13731	1372
	1800	444TSC	95.4	1.15	460	SF4B125TSC64Y	LM32844	1372
	1200	445TC	95.0	1.15	460	SF6B125TC64Y	LM13732	1552
150	3600	445TSC	96.2	1.15	460	SF2B150TSC64Y	LM13733	1552
	1800	445TC	96.2	1.15	460	SF4B150TC64Y	LM13734	1552
	1800	445TSC	95.0	1.15	460	SF4B150TSC64Y	LM32845	1525
	1200	445TC	95.8	1.15	460	SF6B150TC64Y	LM13735	1552
200	3600	445TSC	96.2	1.15	460	SF2B200TSC64Y	LM13736	1552
	1800	445TC	96.2	1.15	460	SF4B200TC64Y	LM13737	1552
	1800	445TSC	96.2	1.15	460	SF4B200TSC64Y	LM32660	1525
	250	447TSC	96.2	1.15	460	SF2B250TSC64Y	LM13739	1833
250	3600	447TSC	95.4	1.00	460	SF2P250TSC64Y	LM13582	1833
	1800	447TC	96.2	1.15	460	SF4B250TC64Y	LM13740	1833
	1800	447TC	95.0	1.15	460	SF4P250TC64Y	LM13583	1833
	300	449TSC	96.2	1.15	460	SF2B300TSC64Y	LM13742	2206
300	3600	449TSC	95.4	1.15	460	SF2P300TSC64Y	LM13585	2206
	1800	447TC	96.2	1.15	460	SF4B300TC64Y	LM13743	1833
	1800	449TC	95.4	1.15	460	SF4P300TC64Y	LM19193	2206
	1800	447TC	95.4	1.00	460	SF4P300TC64Y	LM15308	1833

Product numbers in red are STOCK items.

Specifications are subject to change without notice

TEFC
208, 230/460 AND 460 VOLTS • 3-PHASE
FOOT MOUNT & C-FACE
1/4 TO 400 HP



C-FACE WITH FEET (cont'd)

HP	SYN RPM	Frame	FL Nom Eff (%)	SF	Volts	Model Number	Product Number	Approx Shpg Wght (lbs)
350	3600	449TSC	95.8	1.15	460	SF2B350TSC64Y	LM13745	2206
	3600	449TSC	95.4	1.00	460	SF2P350TSC64Y	LM13588	2206
	1800	449TC	96.2	1.15	460	SF4B350TC64Y	LM13746	2206
	1800	449TC	95.4	1.15	460	SF4P350TC64Y	LM15400	2206
400	3600	449TSC	95.8	1.00	460	SF2B400TSC64Y	LM13747	2206
	3600	449TSC	95.4	1.00	460	SF2P400TSC64Y	LM13590	2206
	1800	449TC	96.2	1.15	460	SF4B400TC64Y	LM13748	2206
	1800	449TC	95.4	1.00	460	SF4P400TC64Y	LM13591	2206

C-FACE FOOTLESS

HP	SYN RPM	Frame	FL Nom Eff (%)	SF	Volts	Model Number	Product Number	Approx Shpg Wght (lbs)
1/4	1800	56C	62.5	1.15	230/460	SRF4S0.25TCN61	LM24964	14
1/3	1800	S56	65.5	1.15	230/460	SRF4S0.33TCN61	LM24093	15
	1200	56C	62.0	1.15	230/460	SRF6S0.33TCN61	LM24858	21
1/2	3600	56C	69.0	1.15	230/460	SRF2S0.5TCN61	LM24138	22
	1800	S56	70.0	1.15	230/460	SRF4S0.5TCN61	LM24083	17
	1200	56C	68.0	1.15	230/460	SRF6S0.5TCN61	LM24128	23
	900	143TC	66.0	1.15	230/460	SSF8S0.5TCN61	LM24965	31
3/4	3600	56C	74.0	1.15	230/460	SRF2S0.75TCN61	LM24151	22
	1800	S56	75.5	1.15	230/460	SRF4S0.75TCN61	LM24077	21
	1200	56C	74.0	1.15	230/460	SRF6S0.75TCN61	LM24153	26
	1200	143TC	74.0	1.15	230/460	SSF6S0.75TCN61	LM24966	29
	900	145TC	70.0	1.15	230/460	SSF8S0.75TCN61	LM24967	49
1	3600	56C	74.0	1.15	230/460	SRF2S1TCN61	LM24139	24
	1800	56C	77.0	1.15	230/460	SRF4S1TCN61	LM24080	27
	1800	143TC	82.5	1.25	230/460	SSF4P1TCN61	LM24148	28
	1200	56HC	78.5	1.15	230/460	SRF6S1TCN61	LM24130	33
	1200	145TC	77.0	1.15	230/460	SSF6P1TCN61	LM32846	33
1 1/2	3600	56C	80.0	1.15	230/460	SRF2S1.5TCN61	LM24096	26
	3600	143TC	82.5	1.15	230/460	SSF2P1.5TCN61	LM32810	27
	1800	56C	80.0	1.15	230/460	SRF4S1.5TCN61	LM24112	29
	1800	145TC	84.0	1.25	230/460	SSF4P1.5TCN61	LM24149	31
	1200	182TC	85.5	1.15	230/460	SSF6S1.5TCN61	LM32847	69
2	3600	56HC	82.5	1.15	230/460	SRF2S2TCN61	LM24132	29
	3600	145TC	84.0	1.15	230/460	SSF2P2TCN61	LM32678	30
	1800	56HC	82.5	1.15	230/460	SRF4S2TCN61	LM24084	39
	1800	145TC	85.5	1.25	230/460	SSF4P2TCN61	LM24125	39
3	3600	56HC	84.0	1.15	230/460	SRF2S3TCN61	LM24975	40
	3600	145TC	85.5	1.15	230/460	SSF2S3TCN61	LM32848	40
	1800	145TC	87.5	1.15	230/460	SSF4P3TCN61	LM32849	50
	1800	182TC	90.2	1.25	230/460	AAF4B3TCN61	LM16824	95
	1800	182TC	87.5	1.25	230/460	AAF4P3TCN61	LM16298	95
	1200	213TC	87.5	1.15	230/460	SSF6P3TCN61	LM32850	75

Product numbers in red are STOCK items.

Specifications are subject to change without notice

TEFC 15 TO 60 HZ CONSTANT TORQUE INVERTER DUTY

230/460 & 460 VOLTS • 3-PHASE
FOOT MOUNT & C-FACE
1/3 TO 400 HP

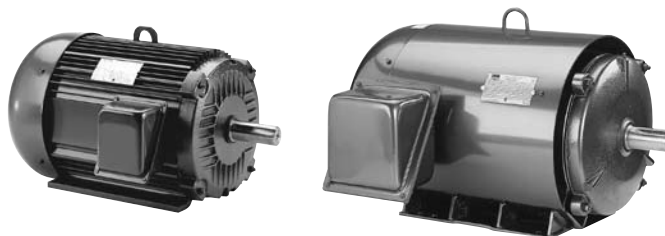
Features:

- 4:1 Constant torque speed range at continuous duty of 15-60 Hz.
- Variable torque speed range with open loop drive of 0-60 Hz.
- Constant horsepower speed range of 2x base speed (56-256T frames) or 1.5x base speed* (284T-449T frames).
- Wider speed ranges possible on intermittent duty
- Ultimate Spike Defense™ Insulation System
- 1.00 service factor on PWM waveform, 1.15 service factor or better on sine-wave power.
- Precision dynamic balanced rotor assembly
- Thermal overload protection (Class F thermostats)
- Made in the U.S.A.

Applications:

For use in constant torque (conveyors, machine tools) or variable torque (pumps, fans) variable speed applications within the stated speed range of the motor.

In a very small percentage of installations, bearing currents can develop in motors operated by PWM-based adjustable-speed drives. Contact your local sales office to review ways of eliminating bearing currents.



* Actual speed not to exceed "RPM MAX" listed for specific motor.

FOOT MOUNT

HP	SYN RPM @ 60 Hz	RPM Max	Frame	FL Nom Eff (%)	Volts	Model Number	Product Number	Approx Shpg Wght (lbs)
1/3	1800	4000	56	72.0	230/460	SRF4S0.33T61Q40	LM22644	28
	3600	4000	56	70.0	230/460	SRF2S0.5T61Q40	LM22646	28
1/2	1800	4000	56	74.0	230/460	SRF4S0.5T61Q40	LM22648	28
	1200	4000	56	70.0	230/460	SRF6S0.5T61Q40	LM22650	28
3/4	3600	4000	56	74.0	230/460	SRF2S0.75T61Q40	LM22652	28
	1800	4000	56	77.0	230/460	SRF4S0.75T61Q40	LM22654	28
	1200	4000	56	72.0	230/460	SRF6S0.75T61Q40	LM22656	36
1	3600	4000	56	75.5	230/460	SRF2S1T61Q40	LM22658	28
	1800	4000	56	78.5	230/460	SRF4S1T61Q40	LM22660	28
	1800	4000	143T	82.5	230/460	SSF4P1T61Q40	LM26097	46
	1200	4000	145T	80.0	230/460	SSF6P1T61Q40	LM26383	51
1 1/2	3600	4000	56	78.5	230/460	SRF2S1.5T61Q40	LM22662	28
	3600	4000	143T	82.5	230/460	SSF2P1.5T61Q40	TBD	46
	1800	4000	56H	80.0	230/460	SRF4S1.5T61Q40	LM22664	28
	1800	4000	145T	84.0	230/460	SSF4P1.5T61Q40	LM26098	51
	1200	4000	182T	85.5	230/460	AAF6P1.5T61Q40	LM21188	83
2	3600	4000	56H	78.5	230/460	SRF2S2T61Q40	LM22666	36
	3600	4000	145T	84.0	230/460	SSF2P2T61Q40	TBD	51
	1800	4000	145T	84.0	230/460	SSF4P2T61Q40	LM25991	51
	1200	4000	184T	86.5	230/460	AAF6P2T61Q40	LM21191	92
3	3600	4000	182T	85.5	230/460	AAF2P3T61Q40	LM21189	83
	1800	4000	182T	87.5	230/460	AAF4P3T61Q40	LM21190	83
	1200	4000	213T	87.5	230/460	AF6P3T61Q40	LM21194	127
5	3600	4000	184T	87.5	230/460	AAF2P5T61Q40	LM21192	92
	1800	4000	184T	87.5	230/460	AAF4P5T61Q40	LM21193	92
	1200	4000	215T	87.5	230/460	AAF6P5T61Q40	LM21197	138

Product numbers in red are STOCK items.

Specifications are subject to change without notice

TEFC 15 TO 60 HZ CONSTANT TORQUE INVERTER DUTY



**230/460 & 460 VOLTS • 3-PHASE
FOOT MOUNT & C-FACE
1/3 TO 400 HP**

AC MOTORS

FOOT MOUNT (cont'd)

HP	SYN RPM @ 60 Hz	RPM Max	Frame	FL Nom Eff (%)	Volts	Model Number	Product Number	Approx Shpg Wght (lbs)
7 1/2	3600	4600	G213T	88.5	230/460	AF2P7.5T61Q40	LM21195	127
	1800	4600	213T	89.5	230/460	AF4P7.5T61Q40	LM21196	127
	1200	4400	254T	89.5	230/460	AAF6P7.5T61Q40	LM21200	209
10	3600	4600	G215T	89.5	230/460	AF2P10T61Q40	LM21198	138
	1800	4600	215T	89.5	230/460	AF4P10T61Q40	LM21199	138
	1200	4400	256T	89.5	230/460	AAF6P10T61Q40	LM21203	236
15	3600	4400	G254T	90.2	230/460	AAF2P15T61Q40	LM21201	209
	1800	4400	254T	91.0	230/460	AF4P15T61Q40	LM21202	209
	1200	4200	284T	90.2	230/460	AF6P15T61YQ40	LM21206	363
20	3600	4400	256T	90.2	230/460	AF2P20T61Q40	LM21204	236
	1800	4400	256T	91.0	230/460	AF4P20T61Q40	LM21205	236
	1200	4200	286T	90.2	230/460	AF6P20T61YQ40	LM21209	408
25	3600	4200	284TS	91.0	230/460	AF2P25TS61YQ40	LM21207	363
	1800	4200	284T	92.4	230/460	AF4P25T61YQ40	LM21208	363
	1200	4000	324T	91.7	230/460	SF6P25T61YQ40	LM21212	504
30	3600	4200	286TS	91.0	230/460	AF2P30TS61YQ40	LM21210	408
	1800	4200	286T	92.4	230/460	AF4P30T61YQ40	LM21211	408
	1200	4000	326T	91.7	230/460	SF6P30T61YQ40	LM21215	570
40	3600	4000	324TS	91.7	230/460	SF2P40TS61YQ40	LM21213	504
	1800	4000	324T	93.0	230/460	SF4P40T61YQ40	LM21214	504
	1200	3800	364T	93.0	230/460	SF6P40T61YQ40	LM21218	765
50	3600	4000	326TS	92.4	230/460	SF2P50TS61YQ40	LM21216	558
	1800	4000	326T	93.0	230/460	SF4P50T61YQ40	LM21217	558
	1200	3800	365T	93.0	230/460	SF6P50T61YQ40	LM21221	822
60	3600	3800	364TS	93.0	230/460	SF2P60TS61YQ40	LM21219	765
	1800	3800	364T	93.6	230/460	SF4P60T61YQ40	LM21220	765
	1200	3600	404T	93.6	230/460	SF6P60T61YQ40	LM21224	918
75	3600	3800	365TS	93.0	230/460	SF2P75TS61YQ40	LM21222	822
	1800	3800	365T	94.1	230/460	SF4P75T61YQ40	LM21223	822
	1200	3600	405T	93.6	230/460	SF6P75T61YQ40	LM21225	1002
100	3600	3600	405TS	93.6	230/460	SF2P100TS61YQ40	LM21226	1002
	1800	3600	405T	94.5	230/460	SF4P100T61YQ40	LM21227	1002
	1200	3000	444T	94.1	460	SF6P100T64YQ40	LM21228	1351
125	3600	3600	444TS	94.5	460	SF2P125TS64YQ40	LM21229	1351
	1800	3000	444T	94.5	460	SF4P125T64YQ40	LM21230	1351
	1200	3000	445T	94.1	460	SF6P125T64YQ40	LM21231	1504
150	3600	3600	445TS	94.5	460	SF2P150TS64YQ40	LM21232	1504
	1800	3000	445T	95.0	460	SF4P150T64YQ40	LM21233	1504
	1200	3000	445T	95.0	460	SF6P150T64YQ40	LM21234	1504
200	3600	3600	445TS	95.0	460	SF2P200TS64YQ40	LM21235	1504
	1800	3000	445T	95.0	460	SF4P200T64YQ40	LM21236	1504
	1200	3000	447T	95.0	460	SF6P200T64YQ40	LM21237	1812
250	3600	3600	449TS	95.4	460	SF2P250TS64YQ40	LM21240	2185
	1800	2800	447T	95.0	460	SF4P250T64YQ40	LM21238	1812

Product numbers in red are STOCK items.

Specifications are subject to change without notice



TEFC 15 TO 60 HZ CONSTANT TORQUE INVERTER DUTY

230/460 & 460 VOLTS • 3-PHASE
FOOT MOUNT & C-FACE
1/3 TO 400 HP

FOOT MOUNT (cont'd)

HP	SYN RPM @ 60 Hz	RPM Max	Frame	FL Nom Eff (%)	Volts	Model Number	Product Number	Approx Shpg Wght (lbs)
300	3600	3600	449TS	95.4	460	SF2P300TS64YQ40	LM21242	2185
	1800	2800	449T	95.4	460	SF4P300T64YQ40	LM21239	2185
350	3600	3600	449TS	95.8	460	SF2B350TS64YQ40	LM21243	2185
	1800	2800	449T	95.4	460	SF4P350T64YQ40	LM21244	2185

C-FACE WITH FEET

HP	SYN RPM @ 60 Hz	RPM Max	Frame	FL Nom Eff (%)	Volts	Product Model Number	Approx Shpg Number	Wght (lbs)
1/3	1800	4000	56C	72.0	230/460	SRF4S0.33TC61Q40	LM22645	33
1/2	3600	4000	56C	70.0	230/460	SRF2S0.5TC61Q40	LM22647	33
	1800	4000	56C	74.0	230/460	SRF4S0.5TC61Q40	LM22649	33
	1200	4000	56C	70.0	230/460	SRF6S0.5TC61Q40	LM22651	33
3/4	3600	4000	56C	74.0	230/460	SRF2S0.75TC61Q40	LM22653	33
	1800	4000	56C	77.0	230/460	SRF4S0.75TC61Q40	LM22655	33
	1200	4000	56C	72.0	230/460	SRF6S0.75TC61Q40	LM22657	28
1	3600	4000	56C	75.5	230/460	SRF2S1TC61Q40	LM22659	33
	1800	4000	56C	78.5	230/460	SRF4S1TC61Q40	LM22661	28
	1800	4000	143TC	82.5	230/460	SSF4P1TC61Q40	LM26081	52
	1200	4000	145TC	80.0	230/460	SSF6P1TC61Q40	LM26323	57
1 1/2	3600	4000	56C	78.5	230/460	SRF2S1.5TC61Q40	LM22663	28
	3600	4000	143TC	82.5	230/460	SSF2P1.5TC61Q40	TBD	52
	1800	4000	56HC	80.0	230/460	SRF4S1.5TC61Q40	LM22665	36
	1800	4000	145TC	84.0	230/460	SSF4P1.5TC61Q40	LM26008	57
	1200	4000	182TC	85.5	230/460	AAF6P1.5TC61Q40	LM22822	95
2	3600	4000	56HC	78.5	230/460	SRF2S2TC61Q40	LM22667	36
	3600	4000	145TC	84.0	230/460	SSF2P2TC61Q40	TBD	57
	1800	4000	145TC	84.0	230/460	SSF4P2TC61Q40	LM25962	57
	1200	4000	184TC	86.5	230/460	AAF6P2TC61Q40	LM22825	104
3	3600	4000	182TC	85.5	230/460	AAF2P3TC61Q40	LM22826	95
	1800	4000	182TC	87.5	230/460	AAF4P3TC61Q40	LM22827	95
	1200	4600	213TC	87.5	230/460	AF6P3TC61Q40	LM22828	138
5	3600	4000	184TC	87.5	230/460	AAF2P5TC61Q40	LM22829	104
	1800	4000	184TC	87.5	230/460	AAF4P5TC61Q40	LM22830	104
	1200	4600	215TC	87.5	230/460	AF6P5TC61Q40	LM31434	149
7 1/2	3600	4600	G213TC	88.5	230/460	AF2P7.5TC61Q40	LM22832	138
	1800	4600	213TC	89.5	230/460	AAF4P7.5TC61Q40	LM22833	138
	1200	4400	254TC	89.5	230/460	AF6P7.5TC61Q40	LM22834	221
10	3600	4600	G215TC	89.5	230/460	AF2P10TC61Q40	LM22835	149
	1800	4600	215TC	89.5	230/460	AF4P10TC61Q40	LM22836	149
	1200	4400	256TC	89.5	230/460	AF6P10TC61Q40	LM22837	248
15	3600	4400	G254TC	90.2	230/460	AF2P15TC61Q40	LM22838	221
	1800	4400	254TC	91.0	230/460	AF4P15TC61Q40	LM22839	221
20	3600	4400	256TC	90.2	230/460	AF2P20TC61Q40	LM22840	248
	1800	4400	256TC	91.0	230/460	AF4P20TC61Q40	LM22841	248

Product numbers in red are STOCK items.

Specifications are subject to change without notice

ODP • 30 TO 60 HZ CONSTANT TORQUE INVERTER DUTY



230/460 & 460 VOLTS • 3-PHASE
FOOT MOUNT & C-FACE
1/3 TO 400 HP

Features:

- 10:1 Constant torque speed range at continuous duty of 6-60 Hz.
- Variable torque speed range with open loop drive of 0-60 Hz.
- Constant horsepower speed range of 2x base speed (56-256T frames) or 1.5x base speed* (284T-449T frames).
- Ultimate Spike Defense™ Insulation System
- 1.00 service factor on PWM waveform, 1.15 service factor or better on sine-wave power.
- Precision dynamic balanced rotor assembly
- Thermal overload protection (Class F thermostats)
- Warranty: 42 months from date of manufacture and 36 months from date of installation which ever period expires first.
- Made in the U.S.A.



Applications:

For use in constant torque (conveyors, machine tools) or variable torque (pumps, fans) variable speed applications within the stated speed range of the motor.

* Actual speed not to exceed "RPM MAX" listed for specific motor.

FOOT MOUNT

HP	SYN RPM @ 60 Hz	RPM Max	Frame	FL Nom Eff (%)	Volts	Model Number	Product Number	Approx Shpg Wght (lbs)
1	1800	5000	143T	82.5	230/460	SSD4P1T61Q40	LM21148	55
1 1/2	1800	5000	145T	84.0	230/460	SSD4P1.5T61Q40	LM21151	68
2	1800	5000	145T	84.0	230/460	SSD4P2T61Q40	LM21153	68
3	1800	4800	182T	86.5	230/460	SSD4P3T61Q40	LM21157	82
5	1800	4800	184T	87.5	230/460	SSD4P5T61Q40	LM21159	71
7 1/2	1800	4600	213T	88.5	230/460	SSD4P7.5T61Q40	LM21162	141
10	1800	4600	215T	89.5	230/460	SSD4P10T61Q40	LM21165	168
	1200	4400	256T	90.2	230/460	SSD6P10T61Q40	LM21170	255
15	1800	4400	254T	91.0	230/460	SSD4P15T61Q40	LM21168	245
20	1800	4400	256T	91.0	230/460	SSD4P20T61Q40	LM21171	255
25	1800	4000	284T	91.7	230/460	SD4P25T61YQ40	LM21174❖	N/A
	1800	4000	284T	91.7	230/460	CCD4P25T61YQ40	LM29579	350
30	1800	4000	286T	92.4	230/460	SD4P30T61YQ40	LM21177❖	N/A
	1800	4000	286T	92.4	230/460	CCD4P30T61YQ40	LM29936	400
40	1800	4000	324T	93.0	230/460	SD4P40T61YQ40	LM21180	469
50	1800	4000	326T	93.0	230/460	SD4P50T61YQ40	LM21118	522
60	1800	3600	364T	94.0	230/460	SD4P60T61YQ40	LM21121	595
75	1800	3800	365T	94.1	230/460	SD4P75T61YQ40	LM21124	763
100	1800	3600	404T	94.1	230/460	SD4P100T61YQ40	LM21127	882
125	1800	3600	405T	94.5	230/460	SD4P125T61YQ40	LM30727	958

❖ Contact your local sales office for availability.

Product numbers in red are STOCK items.

Specifications are subject to change without notice



TOTALLY ENCLOSED • 0 TO 60 HZ CONSTANT TORQUE INVERTER DUTY CTAC®

230/460 & 460 VOLTS • 3-PHASE
FOOT MOUNT & C-FACE
1/3 TO 200 HP

Features:

- 2000:1 constant torque speed range of 0-60 Hz at continuous duty (range on RF models is 6-60Hz).
- Variable torque speed range of 0-60 Hz.
- Constant horsepower speed range of 2x base speed (56-256T frames) or 1.5x base speed* (284T-445T frames).
- Wider speed ranges possible on intermittent duty
- Ultimate Spike Defense™ Insulation System
- Ideally suited for IGBT power
- 1.00 SF, 40°C ambient on PWM waveform
- C-Face standard on frames 56-256T
- Precision dynamic balanced rotor assembly
- Over temperature protection (Class F thermostat)
- Provision for mounting feedback device - Q10 models
- TEBC - 3 phase blower motor standard
- Warranty on CTAC motor, 42 months from date of manufacture and 36 months from date of installation which ever period expires first.
- Warranty on TEBC blower motor 30 months from date of manufacture and 24 months from date of installation which ever period expires first.
- Made In U.S.A.



Applications:

Suitable for use in extruders, conveyors, machine tools and other process industries with constant torque, variable speed loads.

In a very small percentage of installations, bearing currents can develop in motors operated by PWM-based adjustable-speed drives. Contact your local sales office to review ways of eliminating bearing currents.

* Actual speed not to exceed "RPM MAX" listed for specific motor.

C-FACE WITH FEET (56-256T)

HP	SYN RPM @ 60 Hz	RPM Max	Frame	Enclosure	Volts	Model Number	Product Number	Approx Shpg Wght (lbs)
1/3	1800	4000	56C	TEFC	230/460	SRF4S0.33TC61Q20	LM10336	26
1/2	1800	4000	56C	TEFC	230/460	SRF4S0.5TC61Q20	LM24264	28
	1200	4000	56HC	TEFC	230/460	SRF6S0.5TC61Q20	LM10338	41
3/4	1800	4000	56HC	TEFC	230/460	SRF4S0.75TC61Q20	LM10339	36
1	1800	4000	56HC	TEFC	230/460	SRF4S1TC61Q20	LM10340	41
	1800	5000	145TC	TENV	230/460	SSN4S1TC61Q10	LM26359	62
	1200	4800	182TC	TENV	230/460	AAN6S1TC61Q10	LM06103	78
	900	4800	184TC	TENV	230/460	AAN8S1TC61Q10	LM06105	90
1 1/2	1800	5000	145TC	TENV	230/460	SSN4S1.5TC61Q10	LM26233	65
	1200	4800	184TC	TENV	230/460	AAN6S1.5TC61Q10	LM06109	90
	900	4600	213TC	TENV	230/460	AN8S1.5TC61Q10	LM06111	121
2	1800	4800	182TC	TENV	230/460	AAN4S2TC61Q10	LM06113	74
	1200	4600	213TC	TENV	230/460	AN6S2TC61Q10	LM06115	121
	900	4600	215TC	TENV	230/460	AN8S2TC61Q10	LM06117	121

Product numbers in red are STOCK items.

Specifications are subject to change without notice

**TOTALLY ENCLOSED • 0 TO 60 HZ CONSTANT TORQUE
INVERTER DUTY CTAC®**



**230/460 & 460 VOLTS • 3-PHASE
FOOT MOUNT & C-FACE
1/3 TO 200 HP**

AC MOTORS

C-FACE WITH FEET (56-256T) & FOOT MOUNT (284T-445T)

HP	SYN RPM @ 60 Hz	RPM Max	Frame	Enclosure	Volts	Model Number	Product Number	Approx Shpg Wght (lbs)
3	1800	4800	184TC	TENV	230/460	AAN4S3TC61Q10	LM06119	86
	1200	4600	215TC	TENV	230/460	AN6S3TC61Q10	LM06121	135
	900	4400	254TC	TENV	230/460	AN8S3TC61Q10	LM06123	186
5	1800	4600	213TC	TENV	230/460	AN4S5TC61Q10	LM06125	115
	1200	4400	254TC	TENV	230/460	AN6S5TC61Q10	LM06127	200
	900	4400	256TC	TENV	230/460	AN8S5TC61Q10	LM06129	219
7 1/2	1800	4600	215TC	TENV	230/460	AN4S7.5TC61Q10	LM06131	115
	1200	4400	256TC	TENV	230/460	AN6S7.5TC61Q10	LM06133	219
10	1800	4400	256TC	TENV	230/460	AN4S10TC61Q10	LM06135	211
15	1200	4200	284T	TEBC	230/460	SB6H15T61Q10	LM03140	350
20	1200	4200	286T	TEBC	230/460	SB6H20T61Q10	LM03156	420
25	1800	4200	284T	TEBC	230/460	SB4H25T61Q10	LM03188	350
	1200	4000	324T	TEBC	230/460	SB6H25T61Q10	LM03204	490
30	1800	4200	286T	TEBC	230/460	SB4H30T61Q10	LM03236	420
	1200	4000	326T	TEBC	230/460	SB6H30T61Q10	LM03252	550
40	1800	4000	324T	TEBC	230/460	SB4H40T61Q10	LM03284	420
	1200	3800	364T	TEBC	230/460	SB6H40T61YQ10	LM03300	670
50	1800	4000	326T	TEBC	230/460	SB4H50T61Q10	LM03332	490
	1200	3800	365T	TEBC	230/460	SB6H50T61YQ10	LM03348	740
60	1800	3800	364T	TEBC	230/460	SB4H60T61YQ10	LM03376	670
	1200	3600	404T	TEBC	230/460	SB6H60T61YQ10	LM03396	880
75	1800	3800	365T	TEBC	230/460	SB4H75T61YQ10	LM03424	740
	1200	3600	405T	TEBC	230/460	SB6H75T61YQ10	LM03444	1000
100	1800	3600	405T	TEBC	230/460	SB4H100T61YQ10	LM03472	1000
	1200	3000	444T	TEBC	460	SB6H100T64YQ10	LM03490	1290
125	1800	3000	444T	TEBC	460	SB4H125T64YQ10	LM03516	1290
	1200	3000	445T	TEBC	460	SB6H125T64YQ10	LM03536	1480
150	1800	3000	445T	TEBC	460	SB4H150T64YQ10	LM03564	1480
200	1800	3000	445T	TEBC	460	SB4H200T64YQ10	LM03596	1480

Product numbers in red are STOCK items.

Specifications are subject to change without notice

TOTALLY ENCLOSED • 0 TO 60 HZ CONSTANT TORQUE VECTOR DUTY CTAC®

FOOT MOUNT & C-FACE
1/3 TO 200 HP

Features:

- 2000:1 constant torque speed range of 0-60 Hz at continuous duty with closed-loop drive.
- Variable torque speed range of 0-60 Hz.
- Constant horsepower speed range of 2x base speed (56-256T frames) or 1.5x base speed* (284T-445T frames).
- Ultimate Spike Defense™ Insulation System
- Ideally suited for IGBT power
- 1.00 SF, 40°C ambient on PWM waveform
- C-Face standard on frames 56-256T
- Precision dynamic balanced rotor assembly
- Over temperature protection (Class F thermostat)
- 1024 ppr encoder with differential line driver
- Separate terminal box or conduit with terminal block for feedback termination
- TEBC – 3 phase blower motor standard
- Warranty: (CTAC motor) 42 months from date of manufacture and 36 months from date of installation which ever period expires first. Feedback device and blower motor (TEBC) 30 months from date of manufacture and 24 months from date of installation which ever period expires first.
- Made In U.S.A.



Applications:

For use in demanding industrial applications where premium construction and performance are required. Suitable for use in extruders, conveyors, machine tools and other process industries with constant torque, variable speed loads.

In a very small percentage of installations, bearing currents can develop in motors operated by PWM-based adjustable-speed drives. Contact your local sales office to review ways of eliminating bearing currents.

* Actual speed not to exceed "RPM MAX" listed for specific motor.

C-FACE WITH FEET (56-256T)

HP	SYN RPM @ 60 Hz	RPM Max	Frame	Enclosure	Volts	Model Number	Product Number	Approx Shpg Wght (lbs)
1/3	1800	5000	56C	TENV	230/460	SRN4S0.33TC61Q15	LM10346	43
1/2	1800	5000	56C	TENV	230/460	SRN4S0.5TC61Q15	LM10347	43
	1200	5000	56HC	TENV	230/460	SRN6S0.5TC61Q15	LM10348	43
3/4	1800	5000	56HC	TENV	230/460	SRN4S0.75TC61Q15	LM10349	54
1	1800	5000	56HC	TENV	230/460	SRN4S1TC61Q15	LM10350	54
	1800	5000	145TC	TENV	230/460	SSN4S1TC61Q15	LM26109	82
	1200	4800	182TC	TENV	230/460	AAN6S1TC61Q15	LM03973	98
	900	4800	184TC	TENV	230/460	AAN8S1TC61Q15	LM03975	110
1 1/2	1800	5000	145TC	TENV	230/460	SSN4S1.5TC61Q15	LM26278	85
	1200	4800	184TC	TENV	230/460	AAN6S1.5TC61Q15	LM03981	110
	900	4600	213TC	TENV	230/460	AN8S1.5TC61Q15	LM03983	141
2	1800	4800	182TC	TENV	230/460	AAN4S2TC61Q15	LM03987	98
	1200	4600	213TC	TENV	230/460	AN6S2TC61Q15	LM03989	141
	900	4600	215TC	TENV	230/460	AAN8S2TC61Q15	LM03991	141

Product numbers in red are STOCK items.

Product numbers in red are STOCK items.

Specifications are subject to change without notice

**TOTALLY ENCLOSED • 0 TO 60 HZ CONSTANT TORQUE
VECTOR DUTY CTAC®**



**FOOT MOUNT & C-FACE
1/3 TO 200 HP**

AC MOTORS

C-FACE WITH FEET (56-256T) & FOOT MOUNT (284T-445T)

HP	SYN RPM @ 60 Hz	RPM Max	Frame	Enclosure	Volts	Model Number	Product Number	Approx Shpg Wght (lbs)
3	1800	4800	184TC	TENV	230/460	AAN4S3TC61Q15	LM03995	110
	1200	4600	215TC	TENV	230/460	AN6S3TC61Q15	LM03997	155
	900	4400	254TC	TENV	230/460	AN8S3TC61Q15	LM03999	206
5	1800	4600	213TC	TENV	230/460	AAN4S5TC61Q15	LM04003	115
	1200	4400	254TC	TENV	230/460	AN6S5TC61Q15	LM04005	220
	900	4400	256TC	TENV	230/460	AN8S5TC61Q15	LM04007	239
7 1/2	1800	4600	215TC	TENV	230/460	AN4S7.5TC61Q15	LM31463	155
	1200	4400	256TC	TENV	230/460	AN6S7.5TC61Q15	LM04013	239
10	1800	4400	256TC	TENV	230/460	AN4S10TC61Q15	LM30572	235
15	1200	4200	284T	TEBC	230/460	CCB6S15T61Q15	LM31961	490
20	1200	4200	286T	TEBC	230/460	SB6H20T61Q15	LM03157	420
25	1800	4200	284T	TEBC	230/460	SB4H25T61Q15	LM03189	350
	1200	4000	324T	TEBC	230/460	SB6H25T61Q15	LM03205	490
30	1800	4200	286T	TEBC	230/460	SB4H30T61Q15	LM03237	420
	1200	4000	326T	TEBC	230/460	SB6H30T61Q15	LM03253	550
40	1800	4000	324T	TEBC	230/460	SB4H40T61Q15	LM03285	550
	1200	3800	364T	TEBC	230/460	SB6H40T61Q15	LM03301	670
50	1800	4000	326T	TEBC	230/460	SB4H50T61Q15	LM03333	550
	1200	3800	365T	TEBC	230/460	SB6H50T61YQ15	LM03349	740
60	1800	3800	364T	TEBC	230/460	SB4H60T61YQ15	LM03377	690
	1200	3600	404T	TEBC	230/460	SB6H60T61YQ15	LM03397	1000
75	1800	3800	365T	TEBC	230/460	SB4P75T61YQ15	LM03425	740
	1200	3600	405T	TEBC	230/460	SB6H75T61YQ15	LM03445	1000
100	1800	3600	405T	TEBC	230/460	SB4H100T61YQ15	LM03473	1000
	1200	3000	444T	TEBC	460	SB6H100T64YQ15	LM03491	1290
125	1800	3000	444T	TEBC	460	SB4H125T64YQ15	LM03517	1290
	1200	3000	445T	TEBC	460	SB6H125T64YQ15	LM03537	1480
150	1800	3000	445T	TEBC	460	SB4H150T64YQ15	LM03565	1490
200	1800	3000	445T	TEBC	460	SB4H200T64YQ15	LM03597	1500

Product numbers in red are STOCK items.

Specifications are subject to change without notice