



THREE PHASE MOTORS - GENERAL PURPOSE

STANDARD, EPACT AND PREMIUM EFFICIENT WATTSAYERe MOTORS



DRIP-PROOF

HP	SYN RPM 60 Hz	NEMA Frame	Catalog Number	App. Wgt. (lbs.)	Voltage	F.L. Amps 230V	% F.L. Eff.	"C" Dim. (Inches)	
1/4	1800	
	1800	S56	100027.00	16	208-230/460	1.4	58.0	9.24	
1/3	3600	48	101447.00	14	208-230/460	1.4	68.0	9.00	
	1800	48	100446.00	17	208-230/460	1.6	64.3	9.12	
	1800	S56	100028.00	18	208-230/460	1.6	64.3	9.49	
	1800	S56	103017.00 [W]	23	208-230/460	1.3	77.0	10.24	
	1200	56	110425.00	23	208-230/460	1.6	65.0	9.88	
1/2	3600	
	3600	S56	101448.00	17	208-230/460	1.8	69.0	9.38	
	1800	
	1800	S56	100029.00	20	208-230/460	2.0	68.0	9.99	
	1800	S56	103018.00 [W]	26	208-230/460	1.8	77.0	10.74	
	1200	56	110027.00	22	208-230/460	2.8	66.0	10.38	
3/4	3600	
	3600	S56	101449.00	20	208-230/460	2.4	79.0	9.88	
	1800	S56	100030.00	24	208-230/460	2.8	75.0	10.49	
	1800	56	116738.00 [W]	30	208-230/460	2.4	81.5	10.86	
	1200	56	110028.00	17	208-230/460	3.4	75.5	10.88	
	1200	
	900	
1	3600	56	110426.00	22	208-230/460	3.2	77.0	9.84	
	3600	56	116128.00 [W]	24	208-230/460	2.8	80.0	10.18	
	1800	56	110029.00	22	208-230/460	4.2	78.5	10.38	
	1800	56HZ	115827.00 *	24	208-230/460	4.2	78.5	11.13	
	1800	56	116752.00 [W]	36	208-230/460	3.2	85.5	11.68	
	1800	143T	121003.00 [W]	36	208-230/460	3.2	85.5	12.12	
	1800	
	1200	
	1200	145T	121517.00 [W]	41	208-230/460	3.8	82.5	12.62	
	1200	
	900	
	1 1/2	3600	56	110429.00	29	208-230/460	4.2	81.5	10.84
		3600	56	116753.00 [W] A	36	208-230/460	4.0	84.0	11.84
3600		143T	121514.00 [W]	36	208-230/460	4.0	84.0	12.28	
3600		
1800		56	110430.00	27	208-230/460	5.6	78.5	10.88	
1800		56	111309.00 †	33	208-230/460	5.6	78.5	10.88	
1800		56HZ	115825.00 *	34	208-230/460	5.6	78.5	11.13	
1800		56	116754.00 [W]	35	208-230/460	4.8	86.5	12.22	
1800		145T	121004.00 [W]	35	208-230/460	4.8	86.5	12.62	
1800		
1200		
1200		
1200		182T	131971.00 [W]	82	208-230/460	5.6	86.5	14.69	
1200		
900		

TOTALLY ENCLOSED FAN COOLED (TEFC)

NEMA Frame	Catalog Number	App. Wgt. (lbs.)	Voltage	F.L. Amps 230V	% F.L. Eff.	"C" Dim. (Inches)
48	101646.00	18	208-230/460	1.4	58.0	9.31
...
48	102684.00	18	208-230/460	1.4	68.0	8.81
48	101647.00	21	208-230/460	1.6	64.3	9.31
S56	101079.00	22	208-230/460	1.6	64.3	9.69
S56	103019.00 [W]	24	208-230/460	1.3	77.0	10.19
56	110441.00	23	208-230/460	1.6	65.0	10.81
48	100905.00	18	208-230/460	1.8	69.0	9.94
...
48	100961.00 †	21	208-230/460	2.0	73.0	9.56
S56	100913.00	24	208-230/460	2.0	73.0	9.94
S56	103020.00 [W]	27	208-230/460	1.8	77.0	10.69
56	110353.00	26	208-230/460	2.4	70.0	11.31
56	114618.00	31	208-230/460	2.4	69.0	11.81
48	100960.00 †	21	208-230/460	2.4	79.0	10.44
56	110313.00	22	208-230/460	2.4	75.5	10.81
56	110034.00	22	208-230/460	2.8	77.0	10.81
56	116739.00 [W]	31	208-230/460	2.4	81.5	11.31
56	110275.00	33	208-230/460	3.0	75.5	11.81
143T	121009.00	34	208-230/460	3.0	75.5	12.75
145T	121199.00	21	208-230/460	3.1	70.0	12.75
56	110145.00	24	208-230/460	3.2	77.0	10.81
56	116129.00 [W]	24	208-230/460	2.8	80.0	11.31
56	110035.00	30	208-230/460	3.8	77.0	11.31
56	116757.00 [W]	32	208-230/460	3.2	85.5	12.81
56HZ	115830.00 *	33	208-230/460	3.8	77.0	12.75
143T	120921.00 [W]	32	208-230/460	3.2	85.5	13.25
143T	171640.60 [W]	50	208-230/460	3.2	85.5	13.46
56	113933.00	35	208-230/460	4.0	77.0	12.31
145T	121520.00 [W]	47	208-230/460	3.8	82.5	13.75
145T	171643.60 [W]	58	208-230/460	3.8	82.5	13.46
182T	G131478.00	57	230/460	4.2	74.0	12.96
56	110745.00 †	30	208-230/460	4.2	81.5	11.81
56	116758.00 [W] A	33	208-230/460	4.0	84.0	12.81
143T	121518.00 [W]	33	208-230/460	4.0	84.0	13.25
143T	171642.60 [W]	49	208-230/460	4.0	84.0	13.46
56	110444.00	30	208-230/460	5.0	78.5	11.81
...
56	116759.00 [W]	34	208-230/460	4.8	86.5	13.31
56HZ	115829.00 *	37	208-230/460	5.0	78.5	12.75
145T	120922.00 [W]	34	208-230/460	4.8	86.5	13.75
145T	171646.60 [W]	54	208-230/460	4.8	86.5	13.46
56H	114930.00 □	48	208-230/460	5.7	77.0	13.31
56HZ	116591.00 *	45	208-230/460	5.7	77.0	13.75
...
182T	131980.00 [W]	89	208-230/460	5.6	87.5	15.96
184T	G131479.00	68	230/460	5.6	77.0	13.96

□ Combination 56H base motors have mounting holes for NEMA 56 and NEMA 143-5T and a standard NEMA 56 shaft.
 † 1.0 Service Factor.
 ‡ Automatic reset overload protection. Do not use with variable frequency drives.
 * 56HZ motors have mounting holes for NEMA 56 and a standard NEMA 143-5T shaft.
 [W] Premium efficiency WATTSAYERe Motors. See page 19 for details.
 A Subject to Availability.

Motors in this column have a 1.15 Service Factor, except as noted by †, which have a 1.0 Service Factor.

Catalog Numbers in Green are EPACT Motors.

All 180 and 210 frame Rolled Steel motors have Class F Insulation.

SHADED FRAME INDICATES CAST IRON CONSTRUCTION

WATTSAYERe Motors Meet NEMA MG1 part 30 & 31.

All three phase motors, 1 HP and above, are inverter rated.

Specifications are subject to change without notice



DRIP-PROOF

HP	SYN RPM 60 Hz	NEMA Frame	Catalog Number	App. Wgt. (lbs.)	Voltage	F.L. Amps 230V	% F.L. Eff.	"C" Dim. (Inches)	
2	3600	56	113292.00	33	208-230/460	5.6	82.5	11.34	
	3600	56	116755.00 [w] A	43	208-230/460	4.8	85.5	12.18	
	3600	145T	121515.00 [w]	43	208-230/460	4.8	85.5	12.62	
	3600	
	1800	56H	113025.00 □	32	208-230/460	6.2	78.5	11.38	
	1800	56HZ	115826.00	33	208-230/460	6.2	78.5	11.63	
	1800	56H	111310.00 □ A	36	208-230/460	6.2	78.7	11.38	
	1800	56H	116756.00 [w]	37	208-230/460	5.8	86.5	13.22	
	1800	145T	121005.00 [w]	37	208-230/460	5.8	86.5	13.63	
	1800	
	1200	184T	131972.00 [w]	88	208-230/460	7.2	87.5	15.19	
	900	
3	3600	56H	113293.00 □	38	208-230/460	7.6	84.0	11.84	
	3600	145T	121516.00 [w]	45	208-230/460	7.2	86.5	12.62	
	3600	
	1800	56HZ	116595.00	44	208-230/460	8.6	82.5	13.12	
	1800	182T	131519.00 [w]	75	208-230/460	7.9	89.5	13.69	
	1800	
	1200	213T	171574.60 [w]	154	208-230/460	10.0	88.5	16.38	
	900	215T	G151809.22	171	208-230/460	11.4	84.0	19.61	
	5	3600	184T	131986.00 [w]	86	208-230/460	12.0	86.5	15.19
		3600
		1800	184T	131520.00 [w]	86	208-230/460	12.8	89.5	15.19
		1800
1200		215T	171575.60 [w]	188	208-230/460	15.0	90.2	16.38	
900		
7½		3600
		3600	184T	131988.00 [w]	106	208-230/460	17.6	88.5	16.19
		3600
		1800	213T	140470.00 [w]	133	208-230/460	20.6	91.0	16.25
		1800	213T	170142.60 [w]	160	208-230/460	19.8	91.0	16.38
		1200	254T	170145.60 [w]	291	208-230/460	22.4	91.7	20.94
	900	

Motors in this column have NEMA Service Factors—see page 274 for details.

- ♦ Automatic reset overload protection. Do not use with variable frequency drives.
- Combination 56H base motors have mounting holes for NEMA 56 and a standard NEMA 56 shaft.
- ⊕ 56HZ motors have mounting holes for NEMA 56 standard shaft.
- [w] Premium efficiency WATTSAYERe Motors. See page 19 for details.
- A Subject to Availability.

TOTALLY ENCLOSED FAN COOLED (TEFC)

NEMA Frame	Catalog Number	App. Wgt. (lbs.)	Voltage	F.L. Amps 230V	% F.L. Eff.	"C" Dim. (Inches)
56	111916.00	33	208-230/460	5.6	82.5	12.31
56	116760.00 [w] A	44	208-230/460	4.8	85.5	13.31
145T	121519.00 [w]	44	208-230/460	4.8	85.5	13.75
145T	171648.60 [w]	56	208-230/460	4.8	85.5	13.46
56H	113026.00 □	35	208-230/460	6.2	81.5	12.31
56HZ	115828.00 □	37	208-230/460	6.2	81.5	12.75
...
56H	116761.00 [w]	45	208-230/460	5.8	86.5	14.32
145T	120923.00 [w]	45	208-230/460	5.8	86.5	14.76
145T	171647.60 [w]	58	208-230/460	5.8	86.5	13.46
184T	131981.00 [w]	89	208-230/460	7.2	88.5	15.96
213T	G140516.00	114	230/460	8.0	82.5	18.22
56H	114614.00 □	40	208-230/460	7.6	84.0	13.25
...
182T	131985.00 [w]	66	208-230/460	7.6	86.5	13.96
56HZ	116594.00	45	208-230/460	8.6	82.5	14.26
182T	131463.00 [w]	80	208-230/460	7.8	89.5	14.96
182T	171320.60 [w]	104	208-230/460	7.8	89.5	15.89
213T	171378.60 [w]	171	208-230/460	9.4	89.5	18.19
...
184T	131987.00 [w]	96	208-230/460	12.0	88.5	16.46
184T	131464.00 [w]	94	208-230/460	12.8	89.5	15.96
184T	171322.60 [w]	109	208-230/460	12.8	89.5	16.80
215T	171379.60 [w]	176	208-230/460	14.4	89.5	19.61
254T	G151355.22	188	208-230/460	14.4	88.3	23.23
213T	170158.60 [w]	147	208-230/460	18.0	91.0	18.19
...
213T	140756.00 [w]	156	208-230/460	17.8	90.2	19.84
213T	140450.00 [w]	144	208-230/460	21.4	91.7	18.70
213T	170157.60 [w]	155	208-230/460	18.6	91.7	18.19
254T	170122.60 [w]	249	208-230/460	22.2	91.7	23.19
256T	G151356.22	300	208-230/460	20.0	87.7	24.96

Motors in this column have a 1.15 Service Factor, except as noted by ♣, which have a 1.0 Service Factor.

CONTINUED ON NEXT PAGE

Catalog Numbers in Green are EPACT Motors.

All 180 and 210 frame Rolled Steel motors have Class F Insulation.

SHADED FRAME INDICATES CAST IRON CONSTRUCTION

WATTSAYERe Motors Meet NEMA MG1 part 30 & 31.

All three phase motors, 1 HP and above, are inverter rated.



THREE PHASE MOTORS - GENERAL PURPOSE

EPACT EFFICIENT AND PREMIUM EFFICIENT WATTSAVE_{re} MOTORS



DRIP-PROOF

HP	SYN RPM 60 Hz	NEMA Frame	Catalog Number	App. Wgt. (lbs.)	Voltage	F.L. Amps 230V	% F.L. Eff.	"C" Dim. (Inches)
10	3600	213T	140753.00	160	208-230/460	23.4	89.5	17.30
	3600	213T	170143.60	150	208-230/460	23.6	91.0	16.38
	1800	215T	140472.00	144	208-230/460	26.8	91.7	17.25
	1800	215T	170144.60	200	208-230/460	25.6	91.7	17.87
	1200	256T	170146.60	305	208-230/460	29.6	91.7	22.60
	900
15	3600	215T	140754.00	170	208-230/460	35.0	91.0	18.55
	3600	215T	170064.60	175	208-230/460	34.6	91.0	17.87
	3600
	1800	254T	170065.60	279	208-230/460	37.0	93.0	20.94
	1200	284T	170067.60	414	208-230/460	39.4	92.4	23.54
	900
20	3600	254T	170032.60	275	208-230/460	46.0	93.0	20.94
	1800	256T	170006.60	324	208-230/460	51.0	93.0	22.60
	1200	286T	170000.60	467	208-230/460	55.0	92.4	25.00
	900
25	3600	256T	170034.60	327	208-230/460	52.4	93.0	22.60
	3600
	1800	284T	170009.60	404	208-230/460	59.6	93.6	23.54
	1200	324T	170002.60	705	208-230/460	67.0	93.0	26.02
	900
30	3600	284TS	170036.60	396	208-230/460	67.0	94.1	22.17
	1800	286T	170013.60	471	208-230/460	71.0	94.1	25.00
	1200	326T	170004.60	760	208-230/460	78.0	93.6	27.52
40	3600	286TS	170038.60	441	208-230/460	91.2	93.6	23.62
	3600
	1800	324T	170017.60	560	208-230/460	96.0	94.1	26.02
	1200	364T	170147.60	892	208-230/460	103.0	94.1	28.01

TOTALLY ENCLOSED FAN COOLED (TEFC)

NEMA Frame	Catalog Number	App. Wgt. (lbs.)	Voltage	F.L. Amps 230V	% F.L. Eff.	"C" Dim. (Inches)
215T	140755.00	170	208-230/460	23.6	91.7	21.09
215T	170159.60	181	208-230/460	23.4	91.7	19.61
215T	140451.00	161	208-230/460	26.6	91.7	19.70
215T	170140.60	177	208-230/460	25.0	91.7	19.61
256T	170123.60	300	208-230/460	29.0	91.7	24.92
284T	G150282.22	346	208-230/460	26.0	88.8	26.26
215T	170615.60	200	208-230/460	35.0	92.4	19.61
...
254T	170062.60	282	208-230/460	35.0	92.4	23.19
254T	170066.60	280	208-230/460	36.0	92.4	23.19
284T	170068.60	333	208-230/460	40.6	92.4	26.26
286T	G150261.22	480	208-230/460	40.0	91.0	27.83
256T	170033.60	316	208-230/460	46.0	92.4	24.92
256T	170007.60	322	208-230/460	49.0	93.0	24.92
286T	170001.60	392	208-230/460	54.0	91.7	27.83
324T	G150263.22	640	208-230/460	54.0	91.0	29.53
...
284TS	170035.60	383	208-230/460	56.8	93.0	24.88
284T	170011.60	385	208-230/460	59.0	93.6	26.26
324T	170003.60	545	208-230/460	66.0	93.0	29.53
326T	150265.22	700	208-230/460	63.0	90.2	31.02
286TS	170037.60	385	208-230/460	67.6	93.0	26.46
286T	170015.60	432	208-230/460	70.0	94.1	27.83
326T	170005.60	615	208-230/460	77.2	93.6	31.02
...
324TS	170039.60	504	208-230/460	89.0	93.6	28.03
324T	170019.60	528	208-230/460	92.0	94.1	29.53
364T	170096.60	636	208-230/460	102.0	94.1	32.64

NOTE: 150 and 170 Series Drip-Proof and TEFC motors in NEMA frames 180T thru 447T can be field converted, by reassembly, to F2 conduit box locations.

CONTINUED ON NEXT PAGE

Catalog Numbers in Green are EPACT Motors.

All 180 and 210 frame Rolled Steel motors have Class F Insulation.

All LEESON Cast Iron Motors have a 1.15 Service Factor, Class F insulation.

SHADED FRAME INDICATES CAST IRON CONSTRUCTION

WATTSAVE_{re} Motors Meet NEMA MG1 part 30 & 31.

All three phase motors, 1 HP and above, are inverter rated.

Specifications are subject to change without notice

DRIP-PROOF

HP	SYN RPM 60 Hz	NEMA Frame	Catalog Number	App. Wgt. (lbs.)	Voltage	F.L. Amps 230V	% F.L. Eff.	"C" Dim. (Inches)
50	3600	324TS	170040.60	548	208-230/460	112.0	94.1	24.53
	1800	326T	170021.60	614	208-230/460	118.0	94.5	27.52
	1200	365T	170148.60	918	208-230/460	128.0	94.5	33.62
60	3600	326TS	170042.60	590	208-230/460	136.0	94.1	26.02
	3600
	1800	364T	170025.60	716	208-230/460	139.0	94.1	31.54
75	1200	404T	170149.60	1031	208-230/460	159.0	94.5	32.76
	3600	364TS	170044.60	720	208-230/460	176.0	94.1	26.89
	1800	365T	170029.60	766	208-230/460	172.0	94.5	31.18
100	1200	405T	170150.60	1095	208-230/460	196.0	94.5	34.25
	3600	365TS	170151.60	775	208-230/460	226.0	94.5	29.06
	3600
125	1800	404T	170152.60	1141	208-230/460	225.0	95.4	32.76
	1200	444T	170255.60	1975	460	118.0+	95.4	40.00
	3600	404TS	170154.60	1015	208-230/460	284.0	94.5	29.76
150	3600
	1800	405T	170155.60	1292	230/460	280.0	95.4	34.25
	1800
200	1200	445T	170259.60	2022	460	148.0+	95.8	40.00
	3600	405TS	171449.60	1085	460	169.0+	94.5	31.26
	3600
250	1800	444T	171522.60	2000	460	164.0+	95.8	40.00
	1800
	1200	445T	171576.60	2040	460	206.0+	95.8	40.00
300	3600	444TS	171573.60	1765	460	216.0+	95.4	36.25
	3600
	1805
350	1800	445T	171523.60	2037	460	229.0+	95.8	40.00
	1800
	1200	447T	171577.60	2820	460	239.0+	96.2	43.12
250	1800
	1800	445T	G151524.60	1940	460	284.0+	94.5	40.00
300	1800	445T	G151525.60	1962	460	329.0+	95.0	40.00
	1800	445T	G151518.60	2041	460	392.0+	94.1	40.00
350	1800
	1800

♦ Full Load Amps 460 volt

TOTALLY ENCLOSED FAN COOLED (TEFC)

NEMA Frame	Catalog Number	App. Wgt. (lbs.)	Voltage	F.L. Amps 230V	% F.L. Eff.	"C" Dim. (Inches)
326TS	170041.60	554	208-230/460	111.0	94.5	29.53
326T	170023.60	587	208-230/460	117.0	94.5	31.02
365T	170097.60	672	208-230/460	124.0	94.1	33.62
...
364TS	170043.60	735	208-230/460	136.0	94.1	30.51
364T	170027.60	666	208-230/460	137.0	95.4	32.64
404T	170098.60	870	208-230/460	142.0	94.5	36.42
365TS	170045.60	780	208-230/460	169.0	94.5	31.50
365T	170031.60	733	208-230/460	171.0	95.8	33.62
405T	170099.60	975	208-230/460	176.0	95.0	37.91
...
405TS	170160.60	955	208-230/460	218.0	95.0	34.92
405T	170087.60	1070	208-230/460	225.0	95.4	37.91
444T	170256.60	1457	460	121.0+	95.0	42.87
...
444TS	171580.60	1316	460	132.0	95.0	39.10
...
444T	170369.60	1950	460	137.5+	95.4	42.87
445T	170260.60	1596	460	155.0+	95.4	44.88
...
445TS	171578.60	1445	460	161.0	95.0	44.88
...
445T	170371.60	1627	460	163.0+	95.8	44.88
445T	171315.60	2230	460	185.5+	95.8	48.00
...
447TS	171579.60	1977	460	216.5	95.4	48.00
447T	170352.60	2227	460	216.0+	96.2	48.00
447T
449T	171316.60	2542	460	241.5+	96.2	52.80
449T	G151516.60	2425	460	274.0+	95.0	52.80
...
449T	G151529.60	2558	460	327.0+	95.4	52.80
...
449T	G151530.60	2710	460	402.0+	95.4	52.80

Catalog Numbers in Green are EPACT Motors.

All LEESON Cast Iron Motors have a 1.15 Service Factor, Class F insulation.

SHADED FRAME INDICATES CAST IRON CONSTRUCTION

WATSAVERe Motors Meet NEMA MG1 part 30 & 31.

All three phase motors, 1 HP and above, are inverter rated.



WATSAVERe® PREMIUM EFFICIENCY MOTORS

GENERAL PURPOSE • SINGLE PHASE • FHP THREE PHASE

WATSAVERe® PREMIUM EFFICIENCY HIGH TORQUE

WATSAVERe® Premium Efficiency Motors provide enhanced operating efficiencies, cooler operating temperatures, and reduced running amperage. See page 19 for complete list of features.



SINGLE PHASE • TEFC • RIGID BASE

HP	SYN RPM 60 Hz	NEMA Frame	Catalog Number	App. Wgt. (lbs.)	Voltage	Over-load Prot.	F.L. Amps 230V	% F.L. Eff.	"C" Dim. (Inches)
1/3	1800	56	113765.00☆	27	115/208-230	Man.	1.7	76.0	10.81
1/2	1800	56	113766.00☆	30	115/208-230	Man.	2.5	78.0	11.31
3/4	1800	56	113767.00☆	35	115/208-230	Man.	3.2	82.0	11.81
1	1800	56	113768.00☆	37	115/208-230	Man.	4.2	83.0	12.31
1 1/2	1800	56H	113769.00☆□ A	43	115/208-230	Man.	6.5	84.0	13.31
2	1800	56HZ	113770.00☆■ A	49	230	Man.	8.2	85.0	14.25

WATSAVERe® PREMIUM EFFICIENCY FAN MOTORS

Premium efficiency motors for agricultural and industrial belted-fan applications.

Features include quiet bearings, resilient cradle base, and quiet flow-through ventilation. Class "F" insulated, with spade connectors on terminal board for quick and easy installation.



SINGLE PHASE • DRIP-PROOF • RESILIENT BASE

HP	SYN RPM 60 Hz	NEMA Frame	Catalog Number	App. Wgt. (lbs.)	Voltage	Over-load Prot.	F.L. Amps 115V	% F.L. Eff.	"C" Dim. (Inches)
1/4	1800	48	101602.00	19	115	Auto.	2.5	71.0	10.39
1/3	1800	48	101405.00	19	115	Auto.	3.2	75.0	10.39
1/2	1800	48	101585.00	25	115	Auto.	4.6	76.0	11.39

- ② These combination 56H base motors have mounting holes for 56 and 143-5T, and a 1/2" diameter shaft with flat 1 1/2" long.
- ☆ Capacitor start/capacitor run design for reduced amperage, others are capacitor start/induction run.
- Combination 56 H base motors have mounting holes for NEMA 56 and NEMA 143-5T and a standard NEMA 56 shaft.
- Combination 56 HZ base has mounting holes for NEMA 56 and 143-5T and a standard NEMA 145T frame shaft of 7/8" diameter.

FHP MOTORS FOR AC DRIVES

- Compact 48-frame design with keyed shaft
- Class F insulation
- 20:1 Constant torque rated
- Inverter IRIS™ insulation system
- 1/2" diameter keyed shaft with 48-C Face
- 115/230V 3-phase design optimized for FHP drives



THREE PHASE • TEFC • C FACE WITH BASE

HP	SYN RPM 60 Hz	NEMA Frame	Catalog Number	App. Wgt. (lbs.)	F.L. Amps 230V	% F.L. Eff.	"C" Dim. (Inches)
1/6	1800	48CZ	102792.00 A	25	1.25	56.0	8.94
1/4	1800	48CZ	102793.00 A	26	1.4	58.0	8.94
1/3	1800	48CZ	102794.00 A	28	1.6	64.3	9.19
1/2	1800	48CZ	102795.00 A	30	1.8	77.0	10.19

A Subject to Availability.

All three phase motors, 1 HP and above, are inverter rated.

Specifications are subject to change without notice



ODP

208, 230/460 & 460 VOLTS • 3-PHASE
 FOOT MOUNT AND C-FACE
 1/4 TO 500 HP



Signature Series **MOTORS**

Frames 48 - 256T

Features:

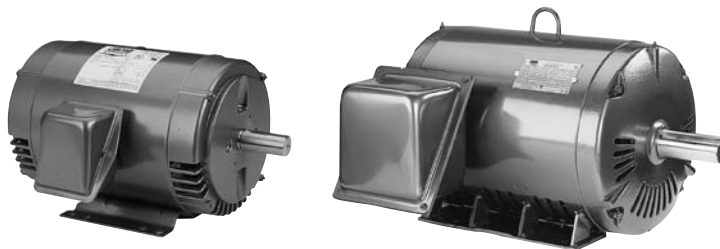
- Industry leading 1.25 service factor*
- Two levels of premium efficiency - P efficiency codes meet and B efficiency codes exceed the energy efficiency requirements of the United States and Canada.
- Nameplated for 50 Hz and 208 V/60 Hz Operation
- Continuous Duty
- Inverter-Rated
- Premium Insulation Systems –
 48 & 56 frames: Class B
 143T-215T frames: Class F
- UL Recognized Component Listing and CSA

Applications:

For use where water and dust exposure is minimal. Ideally suited for use on pumps, compressors, blowers, fans and other standard industrial applications.



* P and B efficiency codes.



Frames 284T - 449T

Features:

- Industry leading 1.25 service factor through 200 HP*
- Superior speed-torque curves - most models* nameplated Design B & C
- Two levels of premium efficiency - P efficiency codes meet Epack and B efficiency codes meet NEMA Premium energy efficiency requirements of the United States and Canada.
- Nameplated for 50 Hz and 208 V/60 Hz Operation
- Continuous Duty
- Inverter-Rated
- Premium Class F Plus Insulation system
- Y-delta start capability frames 284T-449T
- UL Recognized Component Listing and CSA certified
- Shielded ball bearing for direct coupled applications. Contact your local sales office for belted applications.

FOOT MOUNT

HP	SYN RPM	Frame	FL Nom Eff (%)	SF	Volts	Model Number	Product Number	Approx Shpg Wght (lbs)
1/4	1800	48	62.0	1.35	230/460	SPD4S0.25T61	LM24866	19
1/3	3600	56	66.0	1.35	230/460	SRD2S0.33T61	LM24867	18
	1800	S56	67.0	1.35	230/460	SRD4S0.33T61	LM24152	15
	1200	56	62.0	1.35	230/460	SRD6S0.33T61	LM24868	19
1/2	3600	56	66.0	1.25	230/460	SRD2S0.5T61	LM24869	22
	1800	S56	70.0	1.25	230/460	SRD4S0.5T61	LM24098	17
	1200	56	68.0	1.25	230/460	SRD6S0.5T61	LM24146	22
3/4	3600	56	74.0	1.25	230/460	SRD2S0.75T61	LM24870	21
	1800	S56	75.5	1.25	230/460	SRD4S0.75T61	LM24099	20
	1200	56	76.5	1.15	230/460	SRD6S0.75T61	LM24162	26
1	3600	56	74.0	1.25	230/460	SRD2S1T61	LM24155	24
	1800	S56	76.5	1.15	230/460	SRD4S1T61	LM24111	22
	1800	143T	85.5	1.15	230/460	SSD4B1T61	LM24871	35
	1200	56H	75.5	1.15	230/460	SRD6S1T61	LM24872	29
	1200	145T	82.5	1.25	230/460	SSD6B1T61	LM32726	48
	900	182T	74.0	1.15	230/460	SSD8P1T61	LM33126	55
	1 1/2	3600	56	80.0	1.15	230/460	SRD2S1.5T61	LM24874
3600	143T	84.0	1.25	230/460	SSD2B1.5T61	LM32727	28	
1800	56H	80.0	1.15	230/460	SRD4S1.5T61	LM24117	28	
	145T	85.5	1.15	230/460	SSD4B1.5T61	LM24875	45	
	900	184T	75.5	1.15	230/460	SSD8P1.5T61	LM32728	88

Product numbers in red are STOCK items.

Specifications are subject to change without notice

ODP
208, 230/460 & 460 VOLTS • 3-PHASE
FOOT MOUNT AND C-FACE
1/4 TO 500 HP



FOOT MOUNT (cont'd)

HP	SYN RPM	Frame	FL Nom Eff (%)	SF	Volts	Model Number	Product Number	Approx Shpg Wght (lbs)
2	3600	56H	80.0	1.15	230/460	SRD2S2T61	LM24877	25
	3600	145T	85.5	1.25	230/460	SSD2B2T61	LM33137	28
	1800	56H	81.5	1.15	230/460	SRD4S2T61	LM24106	36
	1800	145T	86.5	1.25	230/460	SSD4B2T61	LM24169	48
	900	213T	85.5	1.15	230/460	SSD8P2T61	LM32730	115
3	3600	56H	84.0	1.15	230/460	SRD2S3T61	LM24878	33
	3600	145T	85.5	1.25	230/460	SSD2B3T61	LM32731	33
	1800	182T	89.5	1.25	230/460	SSD4B3T61	LM24222	56
	1200	213T	88.5	1.25	230/460	SSD6B3T61	LM32733	104
	900	215T	86.5	1.15	230/460	SSD8P3T61	LM32688	134
5	3600	182T	86.5	1.25	230/460	SSD2B5T61	LM32734	88
	1800	184T	89.5	1.25	230/460	SSD4B5T61	LM24202	91
	1200	215T	87.5	1.25	230/460	SSD6B5T61	LM32735	135
	900	254T	87.5	1.15	230/460	SSD8P5T61	LM32736	175
7 1/2	3600	213T	88.5	1.15	230/460	SSD2B7.5T61	LM32737	88
	1800	213T	91.0	1.25	230/460	SSD4B7.5T61	LM24194	121
	1200	254T	90.2	1.25	230/460	SSD6B7.5T61	LM32738	150
	900	256T	88.5	1.15	230/460	SSD8P7.5T61	LM32739	167
10	3600	213T	89.5	1.25	230/460	SSD2B10T61	LM32740	138
	1800	215T	91.7	1.25	230/460	SSD4B10T61	LM24193	155
	1200	256T	91.7	1.25	230/460	SSD6B10T61	LM32742	221
15	3600	215T	90.2	1.25	230/460	SSD2B15T61	LM32743	135
	1800	254T	93.0	1.25	230/460	CCD4B15T61	LM24190	300
	1800	254T	93.0	1.25	230/460	SSD4B15T61	LM32744	215
	1200	284T	91.7	1.25	230/460	CCD6B15T61Y	LM31244	420
20	3600	254T	91.0	1.25	230/460	SSD2B20T61	LM32745	161
	1800	256T	93.0	1.25	230/460	CCD4B20T61	LM24199	350
	1800	256T	93.0	1.25	230/460	SSD4B20T61	LM32746	233
	1200	286T	92.4	1.25	230/460	CCD6B20T61Y	LM30273	462
25	3600	256T	91.7	1.25	230/460	SSD2B25T61	LM32747	200
	1800	284T	93.6	1.25	230/460	CCD4B25T61Y	LM29576	350
	1800	284TS	93.6	1.25	230/460	CCD4B25TS61Y	LM32748	348
	1200	324T	93.0	1.25	230/460	SD6B25T61Y	LM13809	469
30	3600	284TS	93.0	1.25	230/460	SD2B30TS61Y	LM13966	348
	3600	284T	91.7	1.25	230/460	SD2B30T61Y	LM32687	348
	1800	286T	94.1	1.25	230/460	CCD4B30T61Y	LM29577	400
	1800	286TS	94.1	1.25	230/460	CCD4B30TS61Y	LM32749	400
	1200	326T	93.6	1.25	230/460	SD6B30T61Y	LM13810	522

Product numbers in red are STOCK items.

Specifications are subject to change without notice



ODP

**208, 230/460 & 460 VOLTS • 3-PHASE
FOOT MOUNT AND C-FACE
1/4 TO 500 HP**

FOOT MOUNT (cont'd)

HP	SYN RPM	Frame	FL Nom Eff (%)	SF	Volts	Model Number	Product Number	Approx Shpg Wght (lbs)
40	3600	286TS	93.6	1.25	230/460	SD2B40TS61Y	LM13969	389
	3600	286T	92.4	1.25	230/460	SD2B40T61Y	LM32750	389
	1800	324T	94.1	1.25	230/460	SD4B40T61Y	LM13811	469
	1800	324TS	94.1	1.25	230/460	SD4B40TS61Y	LM32751	469
	1200	364T	94.1	1.25	230/460	SD6B40T61Y	LM13924	712
50	3600	324TS	94.1	1.25	230/460	SD2B50TS61Y	LM13812	469
	3600	324T	93.0	1.25	230/460	SD2B50T61Y	LM32752	469
	1800	326T	95.0	1.25	230/460	SD4B50T61Y	LM13813	522
	1800	326TS	94.5	1.25	230/460	SD4B50TS61Y	LM32674	522
60	1200	365T	94.5	1.25	230/460	SD6B50T61Y	LM13927	763
	3600	326TS	94.5	1.25	230/460	SD2B60TS61Y	LM13814	522
	3600	326T	93.6	1.25	230/460	SD2B60T61Y	LM32682	522
	1800	364T	95.0	1.25	230/460	SD4B60T61Y	LM14813	712
75	1800	364TS	95.0	1.25	230/460	SD4B60TS61Y	LM32753	712
	1200	404T	94.5	1.25	230/460	SD6B60T61Y	LM13944	882
	3600	364TS	94.5	1.25	230/460	SD2B75TS61Y	LM14812	712
	3600	364T	93.6	1.25	230/460	SD2B75T61Y	LM32754	712
	1800	365T	95.0	1.25	230/460	SD4B75T61Y	LM14815	763
100	1800	365TS	95.0	1.25	230/460	SD4B75TS61Y	LM32755	763
	1200	405T	94.5	1.25	230/460	SD6B75T61Y	LM13947	958
	3600	365TS	95.0	1.25	230/460	SD2B100TS61Y	LM14814	763
	3600	365T	93.6	1.25	230/460	SD2B100T61Y	LM32756	763
	1800	404T	95.4	1.25	230/460	SD4B100T61Y	LM13943	882
125	1800	404TS	95.4	1.25	230/460	SD4B100TS61Y	LM32757	882
	1200	444T	95.4	1.15	460	SD6B100T64Y	LM13815	1277
	3600	404TS	95.0	1.25	230/460	SD2B125TS61Y	LM13942	882
	3600	404T	94.1	1.25	230/460	SD2B125T61Y	LM32758	882
	1800	405T	95.4	1.25	230/460	SD4B125T61Y	LM13946	958
150	1800	405TS	95.4	1.25	230/460	SD4B125TS61Y	LM32759	958
	1200	445T	95.4	1.15	460	SD6B125T64Y	LM13816	1438
	3600	405TS	95.4	1.25	230/460	SD2B150TS61Y	LM13945	958
	1800	444T	95.8	1.25	460	SD4B150T64Y	LM13817	1277
	1800	444TS	95.8	1.25	460	SD4B150TS64Y	LM32760	1277
1200	445T	95.4	1.15	460	SD6B150T64Y	LM13818	1438	

Product numbers in red are STOCK items.

Specifications are subject to change without notice

ODP
208, 230/460 & 460 VOLTS • 3-PHASE
FOOT MOUNT AND C-FACE
1/4 TO 500 HP



FOOT MOUNT (cont'd)

HP	SYN RPM	Frame	FL Nom Eff (%)	SF	Volts	Model Number	Product Number	Approx Shpg Wght (lbs)
200	3600	444TS	95.8	1.25	460	SD2B200TS64Y	LM13819	1277
	1800	445T	96.2	1.25	460	SD4B200T64Y	LM13820	1438
	1800	445TS	95.8	1.25	460	SD4B200TS64Y	LM32761	1449
	1200	449T	95.8	1.15	460	SD6B200T64Y	LM16239	2112
250	3600	445TS	95.8	1.15	460	SD2B250TS64Y	LM13822	1438
	3600	445TS	94.5	1.15	460	SD2P250TS64Y	LM13761	1438
	1800	445T	96.2	1.15	460	SD4B250T64Y	LM13823	1438
	1800	447T	96.2	1.15	460	SD4B250T64Y	LM16235	1745
	1800	445T	95.4	1.25	460	SD4P250T64Y	LM13762	1438
	1800	445TS	95.4	1.15	460	SD4P250TS64Y	LM15466	1438
	1200	447T	95.4	1.00	460	SD6B250T64Y	LM13824	1745
	1200	449T	95.4	1.15	460	SD6B250T64Y	LM17958	2112
300	3600	447TS	95.8	1.15	460	SD2B300TS64Y	LM13825	1745
	3600	447TS	95.0	1.15	460	SD2P300TS64Y	LM13764	1745
	1800	447T	96.2	1.15	460	SD4B300T64Y	LM13826	1745
	1800	449T	96.5	1.15	460	SD4B300T64Y	LM16238	2112
	1800	447T	95.4	1.15	460	SD4P300T64Y	LM13765	1745
	1800	449T	95.4	1.15	460	SD4P300T64Y	LM16227	2112
	1800	447TS	95.4	1.15	460	SD4P300TS64Y	LM22758	1745
	350	3600	447TS	95.8	1.15	460	SD2B350TS64Y	LM13828
3600		449TS	95.8	1.15	460	SD2B350TS64Y	LM16237	2112
3600		447TS	95.0	1.15	460	SD2P350TS64Y	LM13767	1745
3600		449TS	95.0	1.15	460	SD2P350TS64Y	LM16226	2112
1800		447T	96.2	1.15	460	SD4B350T64Y	LM13829	1745
1800		449T	96.2	1.15	460	SD4B350T64Y	LM17957	2112
1800		447T	95.0	1.00	460	SD4P350T64Y	LM13768	1745
1800		449T	95.4	1.15	460	SD4P350T64Y	LM17954	2112
1800		447TS	95.0	1.00	460	SD4P350TS64Y	LM15159	1745
400		3600	449TS	96.2	1.15	460	SD2B400TS64Y	LM13831
	3600	449TS	95.4	1.15	460	SD2P400TS64Y	LM13770	2112
	1800	449T	95.8	1.15	460	SD4B400T64Y	LM13832	2112
	1800	449T	95.4	1.15	460	SD4P400T64Y	LM13771	2112
	1800	449TS	95.4	1.15	460	SD4P400TS64Y	LM22759	2112

C-FACE WITH FEET

HP	SYN RPM	Frame	FL Nom Eff (%)	SF	Volts	Model Number	Product Number	Approx Shpg Wght (lbs)
1/3	1800	S56	67.0	1.35	230/460	SRD4S0.33TC61	LM24277	15
1/2	3600	56C	66.0	1.25	230/460	SRD2S0.5TC61	LM24879	18
	1800	S56	70.0	1.25	230/460	SRD4S0.5TC61	LM24880	17
	1200	56C	68.0	1.25	230/460	SRD6S0.5TC61	LM24881	33

Product numbers in red are STOCK items.

Specifications are subject to change without notice

C-FACE WITH FEET (cont'd)

HP	SYN RPM	Frame	FL Nom Eff (%)	SF	Volts	Model Number	Product Number	Approx Shpg Wght (lbs)
3/4	3600	56C	74.0	1.25	230/460	SRD2S0.75TC61	LM24882	21
	1800	S56	75.5	1.25	230/460	SRD4S0.75TC61	LM24267	20
	1200	56C	76.5	1.15	230/460	SRD6S0.75TC61	LM24883	26
1	3600	56C	74.0	1.25	230/460	SRD2S1TC61	LM24884	24
	1800	S56	76.5	1.15	230/460	SRD4S1TC61	LM24346	22
	1800	143TC	85.5	1.25	230/460	SSD4B1TC61	LM32762	34
	1200	56HC	75.5	1.15	230/460	SRD6S1TC61	LM24885	29
	1200	145TC	80.0	1.25	230/460	SSD6B1TC61	LM32763	48
1 1/2	3600	56C	80.0	1.15	230/460	SRD2S1.5TC61	LM24887	23
	3600	143TC	84.0	1.25	230/460	SSD2B1.5TC61	LM32764	28
	1800	56HC	80.0	1.15	230/460	SRD4S1.5TC61	LM24889	28
	1800	145TC	86.5	1.15	230/460	SSD4B1.5TC61	LM32765	40
	1200	182TC	86.5	1.15	230/460	SSD6B1.5TC61	LM32766	80
2	3600	56HC	80.0	1.15	230/460	SRD2S2TC61	LM24891	25
	3600	145TC	85.5	1.25	230/460	SSD2B2TC61	LM32767	28
	1800	56HC	81.5	1.15	230/460	SRD4S2TC61	LM24345	36
	1800	145TC	86.5	1.25	230/460	SSD4B2TC61	LM32768	44
	1200	184TC	87.5	1.25	230/460	SSD6B2TC61	LM32769	74
3	3600	56HC	84.0	1.15	230/460	SRD2S3TC61	LM24894	33
	3600	145TC	85.5	1.25	230/460	SSD2B3TC61	LM32770	33
	1800	182TC	89.5	1.25	230/460	SSD4B3TC61	LM32771	83
	1200	213TC	88.5	1.25	230/460	SSD6B3TC61	LM32772	104
5	3600	182TC	86.5	1.15	230/460	SSD2B5TC61	LM32773	83
	1800	184TC	89.5	1.25	230/460	SSD4B5TC61	LM32774	93
	1200	215TC	89.5	1.25	230/460	SSD6B5TC61	LM32775	135
7 1/2	3600	184TC	88.5	1.15	230/460	SSD2B7.5TC61	LM32776	105
	1800	213TC	91.0	1.25	230/460	SSD4B7.5TC61	LM32666	115
	1200	254TC	90.2	1.25	230/460	SSD6B7.5TC61	LM32777	150
10	3600	213TC	89.5	1.25	230/460	SSD2B10TC61	LM32778	138
	1800	215TC	91.7	1.25	230/460	SSD4B10TC61	LM32649	138
	1200	256TC	91.7	1.25	230/460	SSD6B10TC61	LM32779	221
15	3600	215TC	90.2	1.15	230/460	SSD2B15TC61	LM32780	135
	1800	254TC	96.0	1.25	230/460	SSD4B15TC61	LM32781	215
	1200	284TC	91.7	1.25	230/460	CCD6B15TC61Y	LM31247	420
	1200	284TC	91.7	1.25	230/460	SD6B15TC61Y	LM32806	355
20	3600	254TC	91.0	1.25	230/460	SSD2B20TC61	LM32782	161
	1800	256TC	93.0	1.25	230/460	SSD4B20TC61	LM32783	233
	1200	286TC	92.4	1.25	230/460	CCD6B20TC61Y	LM31248	462
25	3600	256TC	91.7	1.25	230/460	SSD2B25TC61	LM32784	207
	1800	284TC	93.6	1.25	230/460	CCD4B25TC61Y	LM31245	430
	1800	284TSC	91.7	1.25	230/460	CCD4B24TSC61Y	LM32785	350
	1200	324TC	93.0	1.25	230/460	SD6B25TC61Y	LM14535	479
30	3600	284TSC	93.0	1.25	230/460	SD2B30TSC61Y	LM17382	355
	1800	286TC	94.1	1.25	230/460	SD4B30TC61Y	LM31246	489
	1800	286TSC	4.1	1.25	230/460	CCD4B30TSC61Y	LM32786	400
	1200	326TC	93.6	1.25	230/460	SD6B30TC61Y	LM13836	532

Product numbers in red are STOCK items.
Specifications are subject to change without notice

ODP
208, 230/460 & 460 VOLTS • 3-PHASE
FOOT MOUNT AND C-FACE
1/4 TO 500 HP



C-FACE WITH FEET (cont'd)

HP	SYN RPM	Frame	FL Nom Eff (%)	SF	Volts	Model Number	Product Number	Approx Shpg Wght (lbs)
40	3600	286TSC	93.6	1.25	230/460	SD2B40TSC61Y	LM17384	396
	1800	324TC	94.1	1.25	230/460	SD4B40TC61Y	LM13837	479
	1800	324TSC	94.1	1.25	230/460	SD4B40TSC61Y	LM32684	479
	1200	364TC	94.1	1.25	230/460	SD6B40TC61Y	LM15571	724
50	3600	324TSC	94.1	1.25	230/460	SD2B50TSC61Y	LM13838	479
	3600	324TSC	94.5	1.25	230/460	SD2P50TSC61Y	LM13839	479
	1800	326TC	94.5	1.25	230/460	SD4B50TC61Y	LM13839	532
	1800	326TSC	94.5	1.25	230/460	SD4B50TSC61Y	LM32655	532
1200	365TC	94.5	1.25	230/460	SD6B50TC61Y	LM15574	775	
60	3600	326TSC	94.5	1.25	230/460	SD2B60TSC61Y	LM13840	532
	1800	364TC	95.0	1.25	230/460	SD4B60TC61Y	LM15570	724
	1800	364TSC	94.5	1.25	230/460	SD4B60TSC61Y	LM32787	724
1200	404TC	94.5	1.25	230/460	SD6B60TC61Y	LM17385	898	
75	3600	364TSC	95.0	1.25	230/460	SD2B75TSC61Y	LM15569	724
	1800	365TC	95.0	1.25	230/460	SD4B75TC61Y	LM15573	775
	1800	365TSC	95.0	1.25	230/460	SD4B75TSC61Y	LM32656	775
1200	405TC	95.4	1.25	230/460	SD6B75TC61Y	LM17386	974	
100	3600	365TSC	95.0	1.25	230/460	SD2B100TSC61Y	LM15572	775
	1800	404TC	95.4	1.25	230/460	SD4B100TC61Y	LM17387	898
	1800	404TSC	95.4	1.25	230/460	SD4B100TSC61Y	LM32788	898
1200	444TC	95.4	1.15	460	SD6B100TC64Y	LM13791	1298	
125	3600	404TSC	95.0	1.25	230/460	SD2B125TSC61Y	LM17388	898
	1800	405TSC	95.4	1.25	230/460	SD4B125TSC61Y	LM32657	974
	1200	445TC	95.4	1.15	460	SD6B125TC64Y	LM13792	1459
150	3600	405TSC	95.4	1.25	230/460	SD2B150TSC61Y	LM17390	974
	1800	444TC	95.8	1.25	460	SD4B150TC64Y	LM13793	1298
	1800	444TSC	95.8	1.25	460	SD4B150TSC64Y	LM32789	1298
	1200	445TC	95.4	1.15	460	SD6B150TC64Y	LM13794	1459
200	3600	444TSC	95.8	1.25	460	SD2B200TSC64Y	LM13795	1298
	1800	445TC	96.2	1.25	460	SD4B200TC64Y	LM13796	1459
	1800	445TSC	95.8	1.25	460	SD4B200TSC64Y	LM32677	1470
1200	447TC	95.4	1.15	460	SD6B200TC64Y	LM13797	1766	

Product numbers in red are STOCK items.

Specifications are subject to change without notice

C-FACE WITH FEET (cont'd)

HP	SYN RPM	Frame	FL Nom Eff (%)	SF	Volts	Model Number	Product Number	Approx Shpg Wght (lbs)
250	3600	445TSC	95.8	1.15	460	SD2B250TSC64Y	LM13798	1459
	3600	445TSC	94.5	1.15	460	SD2P250TSC64Y	LM13787	1459
	1800	445TC	96.2	1.15	460	SD4B250TC64Y	LM13799	1459
	1800	445TC	95.4	1.25	460	SD4P250TC64Y	LM13788	1459
	1800	445TSC	95.4	1.15	460	SD4P250TSC64Y	LM20695	1459
	1200	447TC	95.4	1.00	460	SD6B250TC64Y	LM13841	1766
300	3600	447TSC	95.8	1.15	460	SD2B300TSC64Y	LM13842	1766
	3600	447TSC	95.0	1.15	460	SD2P300TSC64Y	LM13790	1766
	1800	447TC	96.2	1.15	460	SD4B300TC64Y	LM13843	1766
	1800	447TC	95.4	1.15	460	SD4P300TC64Y	LM15312	1766
	1200	449TC	95.4	1.00	460	SD6B300TC64Y	LM13844	2133
	1200	449TC	95.4	1.00	460	SD6P300TC64Y	LM13801	2133
350	3600	447TSC	95.8	1.15	460	SD2B350TSC64Y	LM13845	1766
	3600	447TSC	95.0	1.15	460	SD2P350TSC64Y	LM13802	1766
	1800	447TC	96.2	1.15	460	SD4B350TC64Y	LM13846	1766
	1800	447TC	95.4	1.15	460	SD4P350TC64Y	LM13803	1766
400	3600	449TSC	96.2	1.15	460	SD2B400TSC64Y	LM13848	2133
	3600	449TSC	95.4	1.15	460	SD2P400TSC64Y	LM13805	2133
	1800	449TC	95.8	1.15	460	SD4B400TC64Y	LM13849	2133
	1800	449TC	95.4	1.15	460	SD4P400TC64Y	LM13806	2133
450	3600	449TSC	95.8	1.15	460	SD2B450TSC64Y	LM13850	2133
	3600	449TSC	95.8	1.00	460	SD2P450TSC64Y	LM13807	2133
	1800	449TC	96.2	1.15	460	SD4B450TC64Y	LM13718	2133
	1800	449TC	95.8	1.00	460	SD4P450TC64Y	LM13808	2133

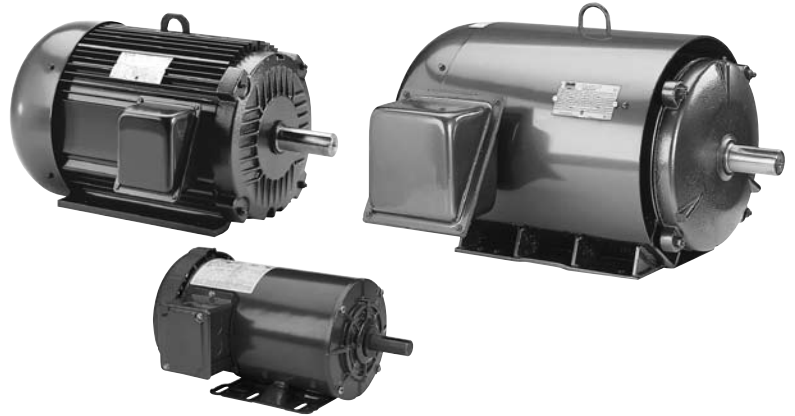
C-FACE FOOTLESS

HP	SYN RPM	Frame	FL Nom Eff (%)	SF	Volts	Model Number	Product Number	Approx Shpg Wght (lbs)
1/3	3600	56C	66.0	1.35	230/460	SRD2S0.33TCN61	LM24909	19
	1800	S56	67.0	1.35	230/460	SRD4S0.33TCN61	LM24910	15
1/2	3600	56C	66.0	1.25	230/460	SRD2S0.5TCN61	LM24911	19
	1800	S56	70.0	1.25	230/460	SRD4S0.5TCN61	LM24912	17
	1200	56C	68.0	1.25	230/460	SRD6S0.5TCN61	LM24913	21
3/4	3600	56C	74.0	1.25	230/460	SRD2S0.75TCN61	LM24914	20
	1800	56C	75.5	1.15	230/460	SRD4S0.75TCN61	LM24915	20
1	3600	56C	74.0	1.25	230/460	SRD2S1TCN61	LM24916	22
	1800	S56	76.5	1.15	230/460	SRD4S1TCN61	LM24917	22
	1800	143TC	77.0	1.15	230/460	SSD4P1TCN61	LM32790	27
1 1/2	3600	56C	80.0	1.15	230/460	SRD2S1.5TCN61	LM24919	23
	1800	56HC	80.0	1.15	230/460	SRD4S1.5TCN61	LM24160	27
	1800	145TC	80.0	1.15	230/460	SSD4P1.5TCN61	LM32791	29
2	3600	56HC	80.0	1.15	230/460	SRD2S2TCN61	LM24921	25
	1800	56HC	81.5	1.15	230/460	SRD4S2TCN61	LM24131	33
	1800	145TC	84.0	1.15	230/460	SSD4P2TCN61	LM32792	35
3	3600	56HC	84.0	1.15	230/460	SRD2S3TCN61	LM24923	31
	3600	145TC	86.5	1.15	230/460	SSD2P3TCN61	LM32793	33
	1800	182TC	81.5	1.15	230/460	SSD4P3TCN61	LM32794	63
5	1800	184TC	87.5	1.25	230/460	SSD4P5TCN61	LM24234	93
7 1/2	1800	213TC	88.5	1.15	230/460	SSD4P7.5TCN61	LM32800	95
10	1800	215TC	89.5	1.15	230/460	SSD4P10TCN61	LM32801	128

Product numbers in red are STOCK items.
Specifications are subject to change without notice

Signature Series **MOTORS****Frames 48 - 215T****Features:**

- Industry leading 1.25 service factor*
- Nameplated for 50 Hz and 208 V/60 Hz Operation
- Continuous Duty
- Inverter-Rated
- Construction materials (reference Model Number) -
SPF, SRF & SSF: steel frame/cast aluminum brackets
- Premium Insulation Systems –
48 & 56 frames: Class B
143T-215T frames: Class F
- UL Recognized Component Listing and CSA certified

**Frames 182T - 449T****Features:**

- Industry leading 1.25 service factor through 75 HP*
- Superior speed-torque curves – most models* nameplated Design B & C
- Two levels of premium efficiency – P efficiency codes meet EPACT and B efficiency codes meet NEMA Premium energy efficiency requirements of the United States and Canada.
- Nameplated for 50 Hz and 208 V/60 Hz Operation
- Continuous Duty
- Inverter-Rated
- Construction Materials (reference Model Number) –
AF, AAF: extruded aluminum frame and cast iron brackets
SF: steel frame and cast iron brackets
- Premium Class F Plus Insulation system
- Y-delta start capability frames 284T-449T
- UL Recognized Component Listing and CSA certified
- Shielded ball bearing for direct coupled applications. Contact your local sales office for belted applications.

Applications:

For use where exposure to water, dust and corrosives exists. Ideally suited for use on pumps, compressors, fans, blowers, conveyors, machine tools and other industrial applications.

* P and B efficiency codes.

FOOT MOUNT

HP	SYN RPM	Frame	FL Nom Eff (%)	SF	Volts	Model Number	Product Number	Approx Shpg Wght (lbs)
1/4	1800	48	62.5	1.15	230/460	SPF4S0.25T61	LM24929	17
1/3	1800	48	65.5	1.15	230/460	SPF4S0.33T61	LM24930	20
	1800	S56	65.5	1.15	230/460	SRF4S0.33T61	LM24107	16
	1200	56	62.0	1.15	230/460	SRF6S0.33T61	LM24931	22
1/2	3600	56	69.0	1.15	230/460	SRF2S0.5T61	LM24165	22
	1800	48	70.0	1.15	230/460	SPF4S0.5T61	LM24932	23
	1800	S56	70.0	1.15	230/460	SRF4S0.5T61	LM24073	18
	1200	56	68.0	1.15	230/460	SRF6S0.5T61	LM24105	24
	900	143T	66.0	1.15	230/460	SSF8S0.5T61	LM24291	31
3/4	3600	56	74.0	1.15	230/460	SRF2S0.75T61	LM24133	23
	1800	S56	75.5	1.15	230/460	SRF4S0.75T61	LM24075	30
	1200	56	74.0	1.15	230/460	SRF6S0.75T61	LM24136	28
	1200	143T	74.0	1.15	230/460	SSF6S0.75T61	LM24103	29
	900	145T	70.0	1.15	230/460	SSF8S0.75T61	LM24276	49
	1	3600	56	74.0	1.15	230/460	SRF2S1T61	LM24094
1800		56	77.0	1.15	230/460	SRF4S1T61	LM24078	27
1800		143T	85.5	1.25	230/460	SSF4B1T61	LM32796	41
1200		145T	82.5	1.25	230/460	SSF6B1T61	LM33121	34
1200		56H	78.5	1.15	230/460	SRF6S1T61	LM24159	35
900		182T	74.0	1.15	230/460	AAF8P1T61	LM32662	64
1 1/2		3600	56	80.0	1.15	230/460	SRF2S1.5T61	LM24144
	3600	143T	84.0	1.25	230/460	SSF2B1.5T61	LM33122	32
	1800	56H	80.0	1.15	230/460	SRF4S1.5T61	LM24118	30
	1800	145T	86.5	1.25	230/460	SSF4B1.5T61	LM33123	45
	1200	182T	87.7	1.25	230/460	AAF6B1.5T61	LM15648	83
	900	184T	77.0	1.15	230/460	AAF8P1.5T61	LM32798	71
2	3600	56H	82.5	1.15	230/460	SRF2S2T61	LM24347	39
	3600	145T	85.5	1.25	230/460	SSF2B2T61	LM33124	31
	1800	56H	82.5	1.15	230/460	SRF4S2T61	LM24097	40
	1800	145T	86.5	1.25	230/460	SSF4B2T61	LM33125	41
	1200	184T	88.5	1.25	230/460	AAF6B2T61	LM15651	92
3	900	213T	82.5	1.15	230/460	AF8P2T61	LM32799	101
	3600	56H	84.0	1.15	230/460	SRF2S3T61	LM24935	51
		182T	87.5	1.25	230/460	AAF2B3T61	LM15646	83
	1800	182T	90.2	1.25	230/460	AAF4B3T61	LM15647	83
	1800	182T	89.5	1.15	230/460	SSF4B3T61	LM32741	77
	1800	182T	89.5	1.25	230/460	AAF4B3T61AP23	LM70009	60
1200	213T	89.5	1.25	230/460	AF6B3T61	LM16030	127	
900	215T	84.0	1.15	230/460	AF8P3T61	LM32664	119	

Product numbers in red are STOCK items.

Specifications are subject to change without notice

TEFC
208, 230/460 AND 460 VOLTS • 3-PHASE
FOOT MOUNT & C-FACE
1/4 TO 400 HP



FOOT MOUNT (cont'd)

HP	SYN RPM	Frame	FL Nom Eff (%)	SF	Volts	Model Number	Product Number	Approx Shpg Wght (lbs)
5	3600	184T	89.5	1.25	230/460	AAF2B5T61	LM15649	92
	1800	184T	90.2	1.25	230/460	AAF4B5T61	LM15650	92
	1800	184T	87.5	1.15	230/460	SSF4B5T61	LM32295	85
	1800	184T	87.5	1.25	230/460	AAF4B5T61AP23	LM70010	75
	1200	215T	89.5	1.25	230/460	AF6B5T61	LM16033	138
	1200	215T	89.5	1.15	230/460	SSF6B5T61	LM32802	140
	900	254T	85.5	1.15	230/460	AF8P5T61	LM32803	159
7 1/2	3600	213T	91.0	1.25	230/460	AF2B7.5T61	LM28968	127
	3600	213T	89.5	1.15	230/460	SSF2B7.5T61	LM32804	109
	1800	213T	91.0	1.25	230/460	AF4B7.5T61	LM16029	127
	1800	213T	91.0	1.15	230/460	SSF4B7.5T61	LM32805	115
	1800	213T	91.0	1.25	230/460	AAF4B7.5T61AP23	LM70011	110
	1200	254T	91.0	1.25	230/460	AF6B7.5T61	LM15672	209
10	900	256T	85.5	1.15	230/460	AF8P7.5T61	LM32807	195
	3600	215T	91.0	1.25	230/460	AF2B10T61	LM16031	138
	3600	215T	90.2	1.15	230/460	SSF2B10T61	LM32808	126
	1800	215T	91.7	1.25	230/460	AF4B10T61	LM16032	138
	1800	215T	91.7	1.15	230/460	SSF4B10T61	LM32809	135
	1800	215T	91.7	1.25	230/460	AAF4B1061AP23	LM70012	125
15	1200	256T	91.0	1.25	230/460	AF6B10T61	LM15675	236
	3600	254T	91.7	1.25	230/460	AAF2B15T61	LM15670	209
	1800	254T	92.4	1.25	230/460	AAF4B15T61	LM15671	209
20	1200	284T	92.4	1.25	230/460	AF6B15T61Y	LM13962	363
	3600	256T	91.7	1.25	230/460	AF2B20T61	LM15673	236
	1800	256T	93.0	1.25	230/460	AAF4B20T61	LM15674	236
25	1200	286T	93.0	1.25	230/460	AF6B20T61Y	LM13965	408
	3600	284TS	93.0	1.25	230/460	AF2B25TS61Y	LM13960	363
	3600	284T	91.7	1.25	230/460	AF2B25T61Y	LM32811	363
	1800	284T	94.1	1.25	230/460	AF4B25T61Y	LM13961	363
	1800	284TS	93.6	1.25	230/460	AF4B25TS61Y	LM32812	363
1200	324T	93.0	1.25	230/460	SF6B25T61Y	LM13696	504	

Product numbers in red are STOCK items.

Specifications are subject to change without notice



TEFC

**208, 230/460 AND 460 VOLTS • 3-PHASE
FOOT MOUNT & C-FACE
1/4 TO 400 HP**

FOOT MOUNT (cont'd)

HP	SYN RPM	Frame	FL Nom Eff (%)	SF	Volts	Model Number	Product Number	Approx Shpg Wght (lbs)
30	3600	286TS	93.0	1.25	230/460	AF2B30TS61Y	LM13963	408
	3600	286T	93.6	1.25	230/460	AF2B30T61Y	LM32813	408
	1800	286T	94.5	1.25	230/460	AF4B30T61Y	LM13964	408
	1800	286TS	93.6	1.25	230/460	AF4B30TS61Y	LM32814	408
	1200	326T	93.0	1.25	230/460	SF6B30T61Y	LM13697	558
40	3600	324TS	94.1	1.25	230/460	SF2B40TS61Y	LM13698	504
	3600	324T	94.1	1.25	230/460	SF2B40T61Y	LM32671	504
	1800	324T	94.1	1.25	230/460	SF4B40T61Y	LM13699	504
	1800	324TS	94.1	1.25	230/460	SF4B40TS61Y	LM32686	504
	1200	364T	94.5	1.25	230/460	SF6B40T61Y	LM13918	765
50	3600	326TS	94.1	1.25	230/460	SF2B50TS61Y	LM13700	558
	3600	326T	94.1	1.25	230/460	SF2B50T61Y	LM32669	558
	1800	326T	95.0	1.25	230/460	SF4B50T61Y	LM13701	558
	1800	326TS	94.5	1.25	230/460	SF4B50TS61Y	LM32815	558
	1200	365T	94.5	1.25	230/460	SF6B50T61Y	LM13921	822
60	3600	364TS	95.0	1.25	230/460	SF2B60TS61Y	LM14808	765
	3600	364T	94.5	1.25	230/460	SF2B60T61Y	LM32816	765
	1800	364T	95.0	1.25	230/460	SF4B60T61Y	LM14809	765
	1800	364TS	94.5	1.25	230/460	SF4B60TS61Y	LM32676	765
	1200	404T	94.5	1.15	230/460	SF6B60T61Y	LM13938	918
75	3600	365TS	95.0	1.25	230/460	SF2B75TS61Y	LM14810	822
	3600	365T	95.0	1.25	230/460	SF2B75T61Y	LM32729	822
	1800	365T	95.0	1.15	230/460	SF4B75T61Y	LM14811	822
	1800	365TS	95.0	1.25	230/460	SF4B75TS61Y	LM32672	822
	1200	405T	94.5	1.15	230/460	SF6B75T61Y	LM13941	1002
100	3600	405TS	94.5	1.15	230/460	SF2B100TS61Y	LM13939	1002
	3600	405T	95.4	1.15	230/460	SF2B100T61Y	LM32818	1002
	1800	405T	95.4	1.15	230/460	SF4B100T61Y	LM13940	1002
	1800	405TS	95.4	1.15	230/460	SF4B100TS61Y	LM32819	1002
	1200	444T	95.4	1.15	460	SF6B100T64Y	LM13702	1351
125	3600	444TS	95.0	1.15	460	SF2B125TS64Y	LM13703	1351
	1800	444T	96.2	1.15	460	SF4B125T64Y	LM13704	1351
	1800	444TS	96.2	1.15	460	SF4B125TS64Y	LM32820	1351
	1200	445T	95.0	1.15	460	SF6B125T64Y	LM13705	1531

Product numbers in red are STOCK items.
Specifications are subject to change without notice

TEFC
208, 230/460 AND 460 VOLTS • 3-PHASE
FOOT MOUNT & C-FACE
1/4 TO 400 HP



FOOT MOUNT (cont'd)

HP	SYN RPM	Frame	FL Nom Eff (%)	SF	Volts	Model Number	Product Number	Approx Shpg Wght (lbs)
150	3600	445TS	95.8	1.15	460	SF2B150TS64Y	LM13706	1531
	1800	445T	96.2	1.15	460	SF4B150T64Y	LM13707	1531
	1800	445TS	96.2	1.15	460	SF4B150TS64Y	LM32679	1504
	1200	447T	95.8	1.15	460	SF6B150T64Y	LM16231	1812
200	3600	447TS	95.4	1.15	460	SF2B200TS64Y	LM16229	1812
	3600	445TS	95.4	1.15	460	SF2B200TS64Y	LM13709	1531
	1800	447T	96.2	1.15	460	SF4B200T64Y	LM16230	1812
	1800	445T	96.2	1.15	460	SF4B200T64Y	LM13710	1531
	1800	445TS	96.2	1.15	460	SF4B200TS64Y	LM32821	1504
	1200	447T	95.8	1.15	460	SF6B200T64Y	LM13711	1812
250	3600	449TS	96.5	1.15	460	SF2B250TS64Y	LM16232	2185
	3600	447TS	96.2	1.15	460	SF2B250TS64Y	LM13712	1812
	3600	449TS	95.4	1.15	460	SF2P250TS64Y	LM16222	2185
	3600	447TS	95.4	1.00	460	SF2P250TS64Y	LM13556	1812
	1800	449T	96.5	1.15	460	SF4B250T64Y	LM16233	2185
	1800	447T	96.2	1.15	460	SF4B250T64Y	LM13713	1812
	1800	449T	95.0	1.15	460	SF4P250T64Y	LM16223	2185
	1800	447T	95.0	1.15	460	SF4P250T64Y	LM13557	1812
	1800	447TS	95.0	1.15	460	SF4P250TS64Y	LM14751	1812
	1800	447TS	95.0	1.15	460	SF4P250TS64Y	LM14751	1812
300	3600	449TS	96.2	1.15	460	SF2B300TS64Y	LM13715	2185
	3600	449TS	95.4	1.15	460	SF2P300TS64Y	LM13559	2185
	1800	449T	96.5	1.15	460	SF4B300T64Y	LM17956	2185
	1800	447T	96.2	1.15	460	SF4B300T64Y	LM13716	1812
	1800	449T	95.4	1.15	460	SF4P300T64Y	LM17953	2185
	1800	449TS	95.4	1.15	460	SF4P300TS64Y	LM18347	2185
	1800	447T	95.4	1.00	460	SF4P300T64Y	LM13560	1812
	1800	447TS	95.4	1.00	460	SF4P300TS64Y	LM18319	1812
	1800	449TS	95.8	1.15	460	SF2B350TS64Y	LM13719	2185
	1800	449TS	95.4	1.00	460	SF2P350TS64Y	LM13562	2185
350	1800	449T	96.2	1.15	460	SF4B350T64Y	LM13720	2185
	1800	449T	95.4	1.15	460	SF4P350T64Y	LM13563	2185
	1800	449T	95.4	1.15	460	SF4P350T64Y	LM13563	2185
400	3600	449TS	95.8	1.00	460	SF2B400TS64Y	LM13721	2185
	3600	449TS	95.4	1.00	460	SF2P400TS64Y	LM13564	2185
	1800	449T	96.2	1.15	460	SF4B400T64Y	LM13722	2185
	1800	449T	95.4	1.00	460	SF4P400T64Y	LM13565	2185

Product numbers in red are STOCK items.

Specifications are subject to change without notice

C-FACE WITH FEET

HP	SYN RPM	Frame	FL Nom Eff (%)	SF	Volts	Model Number	Product Number	Approx Shpg Wght (lbs)
1/4	1800	S56	62.5	1.15	230/460	SRF4S0.25TC61	LM24946	21
1/3	1800	S56	65.5	1.15	230/460	SRF4S0.33TC61	LM24114	21
	1200	56C	62.0	1.15	230/460	SRF6S0.33TC61	LM24948	22
1/2	3600	56C	69.0	1.15	230/460	SRF2S0.5TC61	LM24129	22
	1800	S56	70.0	1.15	230/460	SRF4S0.5TC61	LM24074	18
	1200	56C	68.0	1.15	230/460	SRF6S0.5TC61	LM24104	24
	900	143TC	66.0	1.15	230/460	SSF8S0.5TC61	LM24949	31
3/4	3600	56C	74.0	1.15	230/460	SRF2S0.75TC61	LM24134	22
	1800	S56	75.5	1.15	230/460	SRF4S0.75TC61	LM24076	20
	1200	56C	74.0	1.15	230/460	SRF6S0.75TC61	LM24140	26
	1200	143TC	74.0	1.15	230/460	SSF6S0.75TC61	LM24273	28
	900	145TC	70.0	1.15	230/460	SSF8S0.75TC61	LM24265	49
1	3600	56C	74.0	1.15	230/460	SRF2S1TC61	LM24126	25
	1800	56C	77.0	1.15	230/460	SRF4S1TC61	LM24079	28
	1800	143TC	85.5	1.25	230/460	SSF4B1TC61	LM32822	41
	1200	56HC	78.5	1.15	230/460	SRF6S1TC61	LM24349	38
	1200	145TC	82.5	1.25	230/460	SSF6B1TC61	LM32823	47
1 1/2	900	182TC	74.0	1.15	230/460	AAF8P1TC61	LM32692	68
	3600	56C	80.0	1.15	230/460	SRF2S1.5TC61	LM24135	41
	3600	143TC	84.0	1.25	230/460	SSF2B1.5TC61	LM32824	41
	1800	56HC	80.0	1.15	230/460	SRF4S1.5TC61	LM24095	31
	1800	145TC	86.5	1.25	230/460	SSF4B1.5TC61	LM32825	44
	1200	182TC	87.5	1.25	230/460	AAF6B1.5TC61	LM16728	95
	1200	182TC	87.5	1.15	230/460	SSF6B1.5TC61	LM32826	54
2	900	184TC	77.0	1.15	230/460	AAF8P1.5TC61	LM32827	75
	3600	56HC	82.5	1.15	230/460	SRF2S2TC61	LM24121	38
	3600	145TC	85.5	1.25	230/460	SSF2B2TC61	LM32828	40
	1800	56HC	82.5	1.15	230/460	SRF4S2TC61	LM24081	50
	1800	145TC	86.5	1.25	230/460	SSF4B2TC61	LM32829	46
	1200	184TC	87.5	1.25	230/460	AAF6B2TC61	LM16739	104
	1200	184TC	88.5	1.15	230/460	SSF6B2TC61	LM32830	56
3	900	213TC	82.5	1.15	230/460	AAF8P2TC61	LM32831	107
	3600	56HC	84.0	1.15	230/460	SRF2S3TC61	LM24953	53
	3600	182TC	87.5	1.25	230/460	AAF2B3TC61	LM16741	95
	1800	182TC	90.2	1.25	230/460	AAF4B3TC61	LM16742	95
	1800	213TC	89.5	1.25	230/460	AAF4B3TC61AP23	LM71009	75
	1200	213TC	89.5	1.25	230/460	AF6B3TC61	LM16744	138
	1200	213TC	89.5	1.15	230/460	SSF6B3TC61	LM32833	90
5	900	215TC	84.0	1.15	230/460	AF8P3TC61	LM32834	125
	3600	184TC	89.5	1.25	230/460	AAF2B5TC61	LM16745	104
	1800	184TC	90.2	1.25	230/460	AAF4B5TC61	LM16747	104
	1800	184TC	90.2	1.25	230/460	AAF4B3TC61AP23	LM71010	85
	1200	215TC	89.5	1.25	230/460	AF6B5TC61	LM16748	149
	1200	215TC	89.5	1.15	230/460	SSF6B5TC61	LM32835	115
	900	254TC	85.5	1.15	230/460	AF8P5TC61	LM32836	167

Product numbers in red are STOCK items.

Specifications are subject to change without notice

TEFC
208, 230/460 AND 460 VOLTS • 3-PHASE
FOOT MOUNT & C-FACE
1/4 TO 400 HP



C-FACE WITH FEET (cont'd)

HP	SYN RPM	Frame	FL Nom Eff (%)	SF	Volts	Model Number	Product Number	Approx Shpg Wght (lbs)
7 1/2	3600	213TC	91.0	1.25	230/460	AAF2B7.5TC61	LM16750	138
	3600	213TC	91.0	1.25	230/460	SSF2B7.5TC61	LM32837	110
	1800	213TC	91.0	1.25	230/460	AF4B7.5TC61	LM16752	138
	1800	213TC	91.7	1.25	230/460	AF4B7.5TC61AP23	LM71011	138
	1800	213TC	91.7	1.15	230/460	SSF4B7.5TC61	LM32838	135
	1200	254TC	91.0	1.25	230/460	AAF6B7.5TC61	LM16753	221
	900	256TC	85.5	1.15	230/460	AF8P7.5TC61	LM32839	203
10	3600	215TC	91.0	1.25	230/460	AF2B10TC61	LM16755	149
	3600	215TC	90.0	1.15	230/460	SSF2B10TC61	LM32840	125
	1800	215TC	91.0	1.25	230/460	AF4B10TC61	LM16757	149
	1800	215TC	91.7	1.25	230/460	AAF4B10TC61AP23	LM71012	149
	1800	215TC	91.7	1.15	230/460	SSF4B10TC61	LM32841	135
	1200	256TC	91.0	1.25	230/460	AF6B10TC61	LM16759	248
15	3600	254TC	91.0	1.25	230/460	AF2B15TC61	LM16761	221
	1800	254TC	92.4	1.25	230/460	AF4B15TC61	LM16762	221
	1200	284TC	91.7	1.25	230/460	AF6B15TC61Y	LM16764	370
20	3600	256TC	91.7	1.25	230/460	AF2B20TC61	LM16766	248
	1800	256TC	93.0	1.25	230/460	AF4B20TC61	LM16767	248
	1200	286TC	93.0	1.25	230/460	AF6B20TC61Y	LM16769	415
25	3600	284TSC	91.7	1.25	230/460	AF2B25TSC61Y	LM16770	370
	1800	284TC	94.1	1.25	230/460	AF4B25TC61Y	LM16772	370
	1800	284TSC	92.4	1.25	230/460	AF4B25TSC61Y	LM32654	370
	1200	324TC	93.0	1.25	230/460	SF6B25TC61Y	LM13723	514
30	3600	286TSC	92.4	1.25	230/460	AF2B30TSC61Y	LM16773	415
	1800	286TC	94.5	1.25	230/460	AF4B30TC61Y	LM16774	415
	1800	286TSC	93.6	1.25	230/460	AF4B30TSC61Y	LM32842	415
	1200	326TC	93.0	1.25	230/460	SF6B30TC61Y	LM13724	568
40	3600	324TSC	93.6	1.25	230/460	SF2B40TSC61Y	LM13725	514
	1800	324TC	94.1	1.25	230/460	SF4B40TC61Y	LM13726	514
	1800	324TSC	94.1	1.25	230/460	SF4B40TSC61Y	LM32652	514
	1200	364TC	94.5	1.25	230/460	SF6B40TC61Y	LM15565	777
50	3600	326TSC	94.1	1.25	230/460	SF2B50TSC61Y	LM13727	568
	1800	326TC	95.0	1.25	230/460	SF4B50TC61Y	LM13728	568
	1800	326TSC	94.5	1.25	230/460	SF4B50TSC61Y	LM32843	568
	1200	365TC	94.5	1.25	230/460	SF6B50TC61Y	LM15568	834

Product numbers in red are STOCK items.

Specifications are subject to change without notice



TEFC

**208, 230/460 AND 460 VOLTS • 3-PHASE
FOOT MOUNT & C-FACE
1/4 TO 400 HP**

C-FACE WITH FEET (cont'd)

HP	SYN RPM	Frame	FL Nom Eff (%)	SF	Volts	Model Number	Product Number	Approx Shpg Wght (lbs)
60	3600	364TSC	95.0	1.25	230/460	SF2B60TSC61Y	LM15562	777
	1800	364TC	95.0	1.25	230/460	SF4B60TC61Y	LM15563	777
	1800	364TSC	95.00	1.25	230/460	SF4B60TSC61Y	LM32665	777
	1200	404TC	94.5	1.15	230/460	SF6B60TC61Y	LM16716	934
75	3600	365TSC	95.0	1.25	230/460	SF2B75TSC61Y	LM15566	834
	1800	365TC	95.4	1.15	230/460	SF4B75TC61Y	LM15567	834
	1800	365TSC	95.4	1.25	230/460	SF4B75TSC61Y	LM32653	834
	1200	405TC	94.5	1.15	230/460	SF6B75TC61Y	LM16717	1018
100	3600	405TSC	95.8	1.15	230/460	SF2B100TSC61Y	LM16719	1018
	1800	405TC	95.4	1.15	230/460	SF4B100TC61Y	LM15263	1018
	1800	405TSC	95.4	1.15	230/460	SF4B100TSC61Y	LM32659	1018
	1200	444TC	95.4	1.15	460	SF6B100TC64Y	LM13729	1372
125	3600	444TSC	95.0	1.15	460	SF2B125TSC64Y	LM13730	1372
	1800	444TC	96.2	1.15	460	SF4B125TC64Y	LM13731	1372
	1800	444TSC	95.4	1.15	460	SF4B125TSC64Y	LM32844	1372
	1200	445TC	95.0	1.15	460	SF6B125TC64Y	LM13732	1552
150	3600	445TSC	96.2	1.15	460	SF2B150TSC64Y	LM13733	1552
	1800	445TC	96.2	1.15	460	SF4B150TC64Y	LM13734	1552
	1800	445TSC	95.0	1.15	460	SF4B150TSC64Y	LM32845	1525
	1200	445TC	95.8	1.15	460	SF6B150TC64Y	LM13735	1552
200	3600	445TSC	96.2	1.15	460	SF2B200TSC64Y	LM13736	1552
	1800	445TC	96.2	1.15	460	SF4B200TC64Y	LM13737	1552
	1800	445TSC	96.2	1.15	460	SF4B200TSC64Y	LM32660	1525
	250	447TSC	96.2	1.15	460	SF2B250TSC64Y	LM13739	1833
250	3600	447TSC	95.4	1.00	460	SF2P250TSC64Y	LM13582	1833
	1800	447TC	96.2	1.15	460	SF4B250TC64Y	LM13740	1833
	1800	447TC	95.0	1.15	460	SF4P250TC64Y	LM13583	1833
	300	449TSC	96.2	1.15	460	SF2B300TSC64Y	LM13742	2206
300	3600	449TSC	95.4	1.15	460	SF2P300TSC64Y	LM13585	2206
	1800	447TC	96.2	1.15	460	SF4B300TC64Y	LM13743	1833
	1800	449TC	95.4	1.15	460	SF4P300TC64Y	LM19193	2206
	1800	447TC	95.4	1.00	460	SF4P300TC64Y	LM15308	1833

Product numbers in red are STOCK items.

Specifications are subject to change without notice

TEFC
208, 230/460 AND 460 VOLTS • 3-PHASE
FOOT MOUNT & C-FACE
1/4 TO 400 HP



C-FACE WITH FEET (cont'd)

HP	SYN RPM	Frame	FL Nom Eff (%)	SF	Volts	Model Number	Product Number	Approx Shpg Wght (lbs)
350	3600	449TSC	95.8	1.15	460	SF2B350TSC64Y	LM13745	2206
	3600	449TSC	95.4	1.00	460	SF2P350TSC64Y	LM13588	2206
	1800	449TC	96.2	1.15	460	SF4B350TC64Y	LM13746	2206
	1800	449TC	95.4	1.15	460	SF4P350TC64Y	LM15400	2206
400	3600	449TSC	95.8	1.00	460	SF2B400TSC64Y	LM13747	2206
	3600	449TSC	95.4	1.00	460	SF2P400TSC64Y	LM13590	2206
	1800	449TC	96.2	1.15	460	SF4B400TC64Y	LM13748	2206
	1800	449TC	95.4	1.00	460	SF4P400TC64Y	LM13591	2206

C-FACE FOOTLESS

HP	SYN RPM	Frame	FL Nom Eff (%)	SF	Volts	Model Number	Product Number	Approx Shpg Wght (lbs)
1/4	1800	56C	62.5	1.15	230/460	SRF4S0.25TCN61	LM24964	14
1/3	1800	S56	65.5	1.15	230/460	SRF4S0.33TCN61	LM24093	15
	1200	56C	62.0	1.15	230/460	SRF6S0.33TCN61	LM24858	21
1/2	3600	56C	69.0	1.15	230/460	SRF2S0.5TCN61	LM24138	22
	1800	S56	70.0	1.15	230/460	SRF4S0.5TCN61	LM24083	17
	1200	56C	68.0	1.15	230/460	SRF6S0.5TCN61	LM24128	23
	900	143TC	66.0	1.15	230/460	SSF8S0.5TCN61	LM24965	31
3/4	3600	56C	74.0	1.15	230/460	SRF2S0.75TCN61	LM24151	22
	1800	S56	75.5	1.15	230/460	SRF4S0.75TCN61	LM24077	21
	1200	56C	74.0	1.15	230/460	SRF6S0.75TCN61	LM24153	26
	1200	143TC	74.0	1.15	230/460	SSF6S0.75TCN61	LM24966	29
	900	145TC	70.0	1.15	230/460	SSF8S0.75TCN61	LM24967	49
1	3600	56C	74.0	1.15	230/460	SRF2S1TCN61	LM24139	24
	1800	56C	77.0	1.15	230/460	SRF4S1TCN61	LM24080	27
	1800	143TC	82.5	1.25	230/460	SSF4P1TCN61	LM24148	28
	1200	56HC	78.5	1.15	230/460	SRF6S1TCN61	LM24130	33
	1200	145TC	77.0	1.15	230/460	SSF6P1TCN61	LM32846	33
1 1/2	3600	56C	80.0	1.15	230/460	SRF2S1.5TCN61	LM24096	26
	3600	143TC	82.5	1.15	230/460	SSF2P1.5TCN61	LM32810	27
	1800	56C	80.0	1.15	230/460	SRF4S1.5TCN61	LM24112	29
	1800	145TC	84.0	1.25	230/460	SSF4P1.5TCN61	LM24149	31
	1200	182TC	85.5	1.15	230/460	SSF6S1.5TCN61	LM32847	69
2	3600	56HC	82.5	1.15	230/460	SRF2S2TCN61	LM24132	29
	3600	145TC	84.0	1.15	230/460	SSF2P2TCN61	LM32678	30
	1800	56HC	82.5	1.15	230/460	SRF4S2TCN61	LM24084	39
	1800	145TC	85.5	1.25	230/460	SSF4P2TCN61	LM24125	39
3	3600	56HC	84.0	1.15	230/460	SRF2S3TCN61	LM24975	40
	3600	145TC	85.5	1.15	230/460	SSF2S3TCN61	LM32848	40
	1800	145TC	87.5	1.15	230/460	SSF4P3TCN61	LM32849	50
	1800	182TC	90.2	1.25	230/460	AAF4B3TCN61	LM16824	95
	1800	182TC	87.5	1.25	230/460	AAF4P3TCN61	LM16298	95
	1200	213TC	87.5	1.15	230/460	SSF6P3TCN61	LM32850	75

Product numbers in red are STOCK items.

Specifications are subject to change without notice



TEFC

**208, 230/460 AND 460 VOLTS • 3-PHASE
FOOT MOUNT & C-FACE
1/4 TO 400 HP**

C-FACE FOOTLESS (cont'd)

HP	SYN RPM	Frame	FL Nom Eff (%)	SF	Volts	Model Number	Product Number	Approx Shpg Wght (lbs)
5	1800	184TC	90.2	1.25	230/460	AAF4B5TCN61	LM16825	104
	1800	184TC	87.5	1.25	230/460	AAF4P5TCN61	LM16299	104
	1200	215TC	87.5	1.15	230/460	SSF6P5TCN61	LM32851	80
7 1/2	3600	213TC	88.5	1.15	230/460	SSF2P7.5TCN61	LM32852	80
	1800	213TC	91.0	1.25	230/460	AF4B7.5TCN61	LM16826	138
	1800	213TC	89.5	1.25	230/460	AF4P7.5TCN61	LM16300	138
	1800	213TC	89.5	1.15	230/460	SSF4P7.5TCN61	LM32853	103
10	3600	215TC	89.5	1.15	230/460	SSF2P10TCN61	LM32854	102
	1800	215TC	91.0	1.25	230/460	AF4B10TCN61	LM16827	149
	1800	215TC	89.5	1.25	230/460	AF4P10TCN61	LM16301	149
	1800	215TC	89.5	1.15	230/460	SSF4P10TCN61	LM32855	135
15	3600	215TC	90.2	1.15	230/460	SSF2P15TCN61	LM32832	125
	1800	254TC	91.7	1.25	230/460	AF4B15TCN61	LM16828	221
	1800	254TC	91.0	1.25	230/460	AF4P15TCN61	LM16302	221
20	1800	256TC	91.7	1.25	230/460	AF4B20TCN61	LM16829	248
	1800	256TC	91.0	1.25	230/460	AF4P20TCN61	LM16303	248

Product numbers in red are STOCK items.

Specifications are subject to change without notice



TEFC CAST IRON
208, 230/460 VOLTS • 3-PHASE
FOOT MOUNT
1 TO 400 HP



Features:

- Cast iron frame and end brackets, cast iron fan shroud on frames 324T and larger.
- AP21 Models have steel fan guards
- NEMA premium efficiency
- 1 to 200 HP
- Inverter-Rated*
- Continuous Duty
- Premium Class F Insulation system
- Shielded ball bearing for direct coupled applications. Contact your local sales office for belted applications.



Applications:

For use where exposure to water, dust and corrosives exists. Ideally suited for use on pumps, compressors, fans, blowers, conveyors, machine tools and other industrial applications.

ULTIMATE E



FOOT MOUNT

HP	SYN RPM	Frame	FL Nom Eff (%)	SF	Volts	Model Number	Product Number	Approx Shpg Wght (lbs)
1	1800	143T	85.5	1.25	230/460	CCN4B1T61	LM24102	56
	1200	145T	80.0	1.15	230/460	CCF6B1T61	LM15856	56
1 1/2	3600	143T	84.0	1.15	230/460	CCF2B1.5T61	LM15854	54
	1800	145T	84.0	1.25	230/460	CCN4B1.5T61	LM25637	62
	1200	182T	87.5	1.15	230/460	CCF6B1.5T61	LM15868	112
2	3600	145T	85.5	1.15	230/460	CCN2B2T61	LM15857	71
	1800	145T	86.5	1.15	230/460	CCN4B2T61	LM24127	64
	1200	184T	88.5	1.15	230/460	CCN6B2T61	LM15871	126
3	3600	182T	86.5	1.15	230/460	CCN2B3T61	LM15866	107
	1800	182T	89.5	1.15	230/460	CCF4B3T61	LM25638	82
	1800	182T	89.5	1.15	230/460	CCF4B3T61AP21	LM60026	104
	1200	213T	89.5	1.15	230/460	CCF6B3T61	LM15880	173
	1200	213T	89.5	1.15	230/460	CCF6B3T61AP21	LM60027	170
5	3600	184T	88.5	1.15	230/460	CCF2B5T61	LM15869	108
	1800	184T	90.2	1.15	230/460	CCF4B5T61	LM24195	117
	1800	184T	89.5	1.15	230/460	CCF4B5T61AP21	LM60029	109
	1200	215T	89.5	1.15	230/460	CCF6B5T61	LM15883	203
	1200	215T	89.5	1.15	230/460	CCF6B5T61AP21	LM60030	176
7 1/2	3600	213T	89.5	1.15	230/460	CCF2B7.5T61	LM15878	192
	3600	213T	89.5	1.15	230/460	CCF2B7.5T61AP21	LM60031	147
	1800	213T	91.7	1.15	230/460	CCF4B7.5T61	LM24209	194
	1800	213T	91.7	1.15	230/460	CCF4B7.5T61AP21	LM60032	155
10	1200	254T	91.0	1.15	230/460	CCF6B7.5T61	LM15892	223
	1200	254T	91.0	1.15	230/460	CCF6B7.5T61AP21	LM60033	249
10	3600	215T	90.2	1.15	230/460	CCF2B10T61	LM15881	218
	3600	215T	90.2	1.15	230/460	CCF2B10T61AP21	LM60034	181
	1800	215T	91.7	1.15	230/460	CCF4B10T61	LM24213	213
	1800	215T	91.7	1.15	230/460	CCF4B10T61AP21	LM60035	177
	1200	256T	91.0	1.15	230/460	CCF6B10T61	LM15895	368
	1200	256T	91.0	1.15	230/460	CCF6B10T61AP21	LM60036	300

Product numbers in red are STOCK items.

Specifications are subject to change without notice



TEFC CAST IRON
208, 230/460 VOLTS • 3-PHASE
FOOT MOUNT
1 TO 400 HP

FOOT MOUNT (cont'd)

HP	SYN RPM	Frame	FL Nom Eff (%)	SF	Volts	Model Number	Product Number	Approx Shpg Wght (lbs)
15	3600	254T	91.0	1.15	230/460	CCF2B15T61	LM15890	384
	3600	254T	91.0	1.15	230/460	CCF2B15T61AP21	LM60037	282
	1800	254T	92.4	1.15	230/460	CCF4B15T61	LM24208	322
	1800	254T	92.4	1.15	230/460	CCF4B15T61AP21	LM60038	280
	1200	284T	91.7	1.15	230/460	CCF6B15T61Y	LM15793	483
	1200	284T	91.7	1.15	230/460	CCF6B15T61AP21	LM60039	333
20	3600	256T	92.4	1.15	230/460	CCF2B20T61	LM15893	385
	3600	256T	91.0	1.15	230/460	CCF2B20T61AP21	LM60040	316
	1800	256T	93.0	1.15	230/460	CCF4B20T61	LM24207	368
	1800	256T	93.0	1.15	230/460	CCF4B20T61AP21	LM60041	322
	1200	286T	91.7	1.15	230/460	CCF6B20T61Y	LM15796	515
	1200	286T	91.7	1.15	230/460	CCF6B20T61AP21	LM60042	392
25	3600	284TS	91.7	1.15	230/460	CCF2B25T61Y	LM15791	461
	3600	284TS	91.7	1.15	230/460	CCF2B25T61AP21	LM60043	383
	1800	284T	93.6	1.15	230/460	CCF4B25T61Y	LM15792	495
	1800	284T	93.6	1.15	230/460	CCF4B25T61AP21	LM60044	385
	1200	324T	93.0	1.15	230/460	CCF6B25T61Y	LM19747	637
	1200	324T	93.0	1.15	230/460	CCF6B25T61AP21	LM60045	545
30	3600	286TS	91.7	1.15	230/460	CCF2B30T61Y	LM15794	496
	3600	286TS	91.7	1.15	230/460	CCF2B30T61AP21	LM60046	385
	1800	286T	93.6	1.15	230/460	CCF4B30T61Y	LM15795	519
	1800	286T	93.6	1.15	230/460	CCF4B30T61AP21	LM60047	432
	1200	326T	93.0	1.15	230/460	CCF6B30T61Y	LM19748	689
	1200	326T	93.0	1.15	230/460	CCF6B30T61AP21	LM60048	615
40	3600	324TS	94.4	1.15	230/460	CCF2B40T61Y	LM19749	664
	3600	324TS	92.4	1.15	230/460	CCF2B40T61AP21	LM60049	504
	1800	324T	94.1	1.15	230/460	CCF4B40T61Y	LM19750	602
	1800	324T	93.0	1.15	230/460	CCF4B40T61AP21	LM60050	528
	1200	364T	94.1	1.15	230/460	CCF6B40T61Y	LM19751	835
	1200	364T	94.1	1.15	230/460	CCF6B40T61AP21	LM60051	636
50	3600	326TS	93.0	1.15	230/460	CCF2B50T61Y	LM19752	732
	3600	326TS	93.0	1.15	230/460	CCF2B50T61AP21	LM60052	554
	1800	326T	94.5	1.15	230/460	CCF4B50T61Y	LM19753	744
	1800	326T	94.5	1.15	230/460	CCF4B50T61AP21	LM60053	587
	1200	365T	94.1	1.15	230/460	CCF6B50T61Y	LM19754	955
	1200	365T	94.1	1.15	230/460	CCF6B50T61AP21	LM60054	672
60	3600	364TS	93.6	1.15	230/460	CCF2B60T61Y	LM19755	918
	3600	364TS	93.6	1.15	230/460	CCF2B60T61AP21	LM60055	735
	1800	364T	95.0	1.15	230/460	CCF4B60T61Y	LM19756	980
	1800	364T	95.0	1.15	230/460	CCF4B60T61AP21	LM60056	666
	1200	404T	94.5	1.15	230/460	CCF6B60T61Y	LM19757	1156
	1200	404T	94.5	1.15	230/460	CCF6B60T61AP21	LM60057	870
75	3600	365TS	93.6	1.15	230/460	CCF2B75T61Y	LM19758	1001
	3600	365TS	93.6	1.15	230/460	CCF2B75T61AP21	LM60058	780
	1800	365T	95.4	1.15	230/460	CCF4B75T61Y	LM19759	1018
	1800	365T	95.4	1.15	230/460	CCF4B75T61AP21	LM60059	733
	1200	405T	94.5	1.15	230/460	CCF6B75T61Y	LM19760	1280
	1200	405T	94.5	1.15	230/460	CCF6B75T61AP21	LM60060	975
100	3600	405TS	94.1	1.15	230/460	CCF2B100T61AP21	LM60061	955
	1800	405T	95.4	1.15	230/460	CCF4B100T61Y	LM19762	1338
	1800	405T	95.4	1.15	230/460	CCF4B100T61AP21	LM60062	1070
	1200	444T	95.0	1.15	230/460	CCF6B100T64AP21	LM60063	1457

Product numbers in red are STOCK items.

Specifications are subject to change without notice

TEFC CAST IRON
208, 230/460 VOLTS • 3-PHASE
FOOT MOUNT & C-FACE
1 TO 400 HP



FOOT MOUNT (cont'd)

HP	SYN RPM	Frame	FL Nom Eff (%)	SF	Volts	Model Number	Product Number	Approx Shpg Wght (lbs)
125	3600	444TS	95.0	1.15	230/460	CCF2B125T64AP21	LM60064	1950
	1800	444T	95.4	1.15	460	CCF4B125T64Y	LM19765	1874
	1800	444T	95.4	1.15	230/460	CCF4B125T64AP21	LM60065	1596
	1200	445T	95.0	1.15	230/460	CCF6B125T64AP21	LM60066	1316
150	3600	445TS	95.0	1.15	230/460	CCF2B150T64AP21	LM60067	1627
	1800	445T	95.8	1.15	460	CCF4B150T64Y	LM19768	2070
	1800	445T	95.8	1.15	230/460	CCF4B150T64AP21	LM60068	2230
	1200	445/447T	95.8	1.15	230/460	CCF6B150T64AP21	LM60069	1445
200	3600	445/447TS	95.4	1.15	230/460	CCF2B200T64AP21	LM60070	2227
	1800	445/7T	96.2	1.15	230/460	CCF4B200T64AP21	LM60071	2542
	1200	447/9T	95.8	1.15	230/460	CCF6B200T64AP21	LM60072	1977
250	3600	449TS	95.4	1.15	460	CCF2P250TS64Y	LM19571	2685
	1800	449T	95.0	1.15	460	CCF4P250T64Y	LM19572	2760
	1200	449T	95.4	1.15	460	CCF6P250T64Y	LM30826	3408
300	3600	449TS	95.4	1.15	460	CCF2P300TS64Y	LM19574	2850
	1800	449T	95.0	1.15	460	CCF4P300T64Y	LM19575	2980
	1200	449T	95.4	1.00	460	CCF6P300T64Y	LM19576	3440
350	3600	449TS	95.4	1.15	460	CCF2P350TS64Y	LM19577	3050
	1800	449T	95.4	1.15	460	CCF4P350T64Y	LM19578	3218
400	1800	449T	95.8	1.00	460	CCF4P400T64Y	LM19580	3263

C-FACE

HP	SYN RPM	Frame	FL Nom Eff (%)	SF	Volts	Model Number	Product Number	Approx Shpg Wght (lbs)
3	3600	182TC	86.5	1.15	230/460	CCF2B3TC61AP21	LM62016	97
	1800	182TC	89.5	1.15	230/460	CCF4B3TC61AP21	LM62017	104
5	3600	184TC	88.5	1.15	230/460	CCF2B5TC61AP21	LM62019	105
	1800	184TC	89.5	1.15	230/460	CCF4B5TC61AP21	LM62020	109
7 1/2	3600	213TC	89.5	1.15	230/460	CCF2B7.5TC61AP21	LM62085	155
	1800	213TC	91.7	1.15	230/460	CCF4B7.5TC61AP21	LM62024	160
10	3600	213TC	90.2	1.15	230/460	CCF2B10TC61AP21	LM62025	181
	1800	215TC	91.7	1.15	230/460	CCF4B10TC61AP21	LM62026	181
15	3600	215TC	91.0	1.15	230/460	CCF2B15TC61AP21	LM62028	282
	1800	254TC	92.4	1.15	230/460	CCF4B15TC61AP21	LM62029	280
20	3600	256TC	91.0	1.15	230/460	CCF2B20TC61AP21	LM62031	316
	1800	256TC	93.0	1.15	230/460	CCF4B20TC61AP21	LM62032	322
25	3600	284TSC	91.7	1.15	230/460	CCF2B25TC61AP21	LM62034	383
	1800	284TC	93.6	1.15	230/460	CCF4B25TC61AP21	LM62035	385
30	1800	286TC	93.6	1.15	230/460	CCF4B30TC61AP21	LM62038	432
40	1800	324TC	94.1	1.15	230/460	CCF4B40TC61AP21	LM62041	528
50	1800	326TC	94.5	1.15	230/460	CCF4B50TC61AP21	LM62044	587
60	1800	364TC	95.0	1.15	230/460	CCF4B60TC61AP21	LM62047	666
75	1800	365TC	95.4	1.15	230/460	CCF4B75TC61AP21	LM62050	733
100	1800	405TC	95.4	1.15	230/460	CCF4B100TC61AP21	LM62053	1070

Product numbers in red are STOCK items.

Specifications are subject to change without notice