

HYDRAULIC ELEVATOR PUMP MOTORS

**OPEN DRIP-PROOF CONSTRUCTION • 3-PHASE
FOOT MOUNTED
10 TO 100 HP**

Features:

- Dual Rated Nameplates for 80 & 120 Starts/Hour
- Designed for Belt Driven Pumps
- Wye Start/Delta Run
- Class F Insulated
- 40° C Ambient
- F-1 Mounting
- Ball Bearings with Grease Fittings and Automatic Relief
- NEMA Dimensions
- CSA Approved, UL Recognized
- Constructed for low noise and low vibration.
- Made in USA
- Warranty - 18 months from date of manufacture and 12 months from date of installation which ever period expires first



Applications:

Hydraulic pump passenger, service, freight, and dumbwaiter low rise elevators. Typically hydraulic elevators travel up to 6 floors at speeds up to 200 fpm.

80 STARTS PER HOUR

HP	SYN RPM	Frame	FL Norm Eff. (%)	Volts	80 Starts FL Amps	Locked Rotor Amps	Model Number	Product Number	Approx Shpg Wght (lbs)
15	3600	213T	88.5	200	41	187	SSD2P10/15T6006YEH2	LM30091	114
	3600	213T	90.2	230/460	35.5/18	162/81	SSD2B10/15T61YEH2	LM33041	149
	1800	215T	93.0	230/460	39.2/19.6	148/74	SSD4B10/15T61YEH2	LM32658	128
	1800	215T		575	15.7	59.2	SSD4P10/15T65YEH2	LM28869	128
20	3600	215T		200	53	267	SSD2P15/20T6006YEH2	LM30093	135
	3600	215T	91.0	230/460	46/23	232/116	SSD2B15/20T61YEH2	LM33042	138
	1800	254T	93.0	230/460	51.4/25.7	232/116	SSD4B15/20T61YEH2	LM32661	205
	1800	254T		575	20.6	93	SSD4P15/20T65YEH2	LM28875	203
25	3600	254T		200	66.5	334	SSD2P20/25T6006YEH2	LM30095	128
	3600	254T	91.7	230/460	58/29	290/145	SSD2B20/25T61YEH2	LM33043	134
	1800	256T	93.6	230/460	64/32	320/160	SSD4B20/25T61YEH2	LM33044	233
	1800	256T		575	25.6	128	SSD4P20/25T65YEH2	LM28881	233
30	3600	256T		200	80	419	SSD2P25/30T6006YEH2	LM30097	235
	3600	256T	91.7	230/460	69/34.5	364/182	SSD2B25/30T61YEH2	LM33045	235
	1800	284T	94.1	230/460	73/36.5	340/170	CCD4B25/30T61YEH2	LM33046	300
40	3600	284T		200	112	460	CCD2P30/40T6006YEH2	LM30099	320
	3600	284T	92.4	230/460	97/48.5	400/200	CCD2B30/40T61YEH2	LM33047	320
	1800	286T	94.1	230/460	97/48.5	430/215	CCD4B30/40T61YEH2	LM33048	411
50	3600	286T		200	135	667	CCD2P40/50T6006YEH2	LM30101	460
	3600	286T	93.0	230/460	117/58.5	580/290	CCD2P40/50T61YEH2	LM33049	460
	1800	324T	94.5	230/460	126/63	548/274	SD4B40/50T61YEH2	LM32651	466
60	1800	326T	93.6	230/460	153/76.5	690/345	SF4B50/60T61YEH2	LM32663	530
75	1800	364T	95.0	230/460	179/89.5	870/435	SD4P60/75T61YEH2	LM32673	709
100	1800	365T	93.6	230/460	250/125	1084/542	SD4B75/100T61YEH2	LM32689	754
	1800	365T		575	100	435	SD4P75/100T65YEH2	LM28915	754

SHADED FRAME INDICATES CAST IRON CONSTRUCTION

Product numbers in red are STOCK items.

Specifications are subject to change without notice

HYDRAULIC ELEVATOR PUMP MOTORS

**OPEN DRIP-PROOF CONSTRUCTION • 3-PHASE
FOOT MOUNTED
10 TO 100 HP**



AC MOTORS

WYE WOUND FOR ELECTRONIC START OR ACROSS THE LINE STARTING • 80 STARTS PER HOUR

HP	SYN RPM	Frame	FL Norm Eff. (%)	Volts	80 Starts FL Amps	Locked Rotor Amps	Model Number	Product Number	Approx Shpg Wght (lbs)
5	1800	182T	89.5	200	15	73.6	SSD4P5T6006YEH1	LM28918	68
	1800	182T		230/460	13/6.5	64/32	SSD4B5T61YEH1	LM33050	89
	1800	182T		575	5.2	25.6	SSD4P5T65YEH1	LM28920	79
7 1/2	1800	184T	91.0	230/460	19.8/9.9	92/46	SSD4B7.5T61EH1	LM33051	98
	1800	182T		575	7.9	36.8	SSD4P7.5T65YEH1	LM28923	118
10	1800	213T	91.7	230/460	25.8/12.9	127/63.5	SSD4B10T61EH1	LM33052	112
	1800	182T		575	10.3	50.8	SSD4P10T65YEH1	LM28926	123

120 STARTS PER HOUR

HP	SYN RPM	Frame	FL Norm Eff. (%)	Volts	80 Starts FL Amps	Locked Rotor Amps	Model Number	Product Number	Approx Shpg Wght (lbs)
15	3600	213T	88.5	200	41	187	SSD2P10/15T6006YEH2	LM30091	114
	3600	213T	90.2	230/460	35.5/18	162/81	SSD2B10/15T61YEH2	LM33041	149
	1800	215T	93.0	230/460	39.2/19.6	148/74	SSD4B10/15T61YEH2	LM32658	128
	1800	215T	575	15.7	59.2	SSD4P10/15T65YEH2	LM28869	128	
20	3600	215T	91.0	200	53	267	SSD2P15/20T6006YEH2	LM30093	135
	3600	215T		230/460	46/23	232/116	SSD2B15/20T61YEH2	LM33042	138
	1800	254T	93.0	230/460	51.4/25.7	232/116	SSD4B15/20T61YEH2	LM32661	205
	1800	254T	575	20.6	93	SSD4P15/20T65YEH2	LM28875	203	
25	3600	254T	91.7	200	66.5	334	SSD2P20/25T6006YEH2	LM30095	128
	3600	254T		230/460	58/29	290/145	SSD2B20/25T61YEH2	LM33043	134
	1800	256T	93.6	230/460	64/32	320/160	SSD4B20/25T61YEH2	LM33044	233
	1800	256T	575	25.6	128	SSD4P20/25T65YEH2	LM28881	233	
30	3600	256T	91.7	200	80	419	SSD2P25/30T6006YEH2	LM30097	235
	3600	256T		230/460	69/34.5	364/182	SSD2B25/30T61YEH2	LM33045	235
	1800	284T	94.1	230/460	73/36.5	340/170	CCD4B25/30T61YEH2	LM33046	300
40	3600	284T	92.4	200	112	460	CCD2P30/40T6006YEH2	LM30099	320
	3600	284T		230/460	97/48.5	400/200	CCD2B30/40T61YEH2	LM33047	320
	1800	286T	94.1	230/460	97/48.5	430/215	CCD4B30/40T61YEH2	LM33048	411
50	3600	286T	93.0	200	135	667	CCD2P40/50T6006YEH2	LM30101	460
	3600	286T		230/460	117/58.5	580/290	CCD2P40/50T61YEH2	LM33049	460
	1800	324T	94.5	230/460	126/63	548/274	SD4B40/50T61YEH2	LM32651	466
60	1800	326T	93.6	230/460	153/76.5	690/345	SF4B50/60T61YEH2	LM32663	530
75	1800	364T	95.0	230/460	179/89.5	870/435	SD4P60/75T61YEH2	LM32673	709
100	1800	365T	93.6	230/460	250/125	1084/542	SD4B75/100T61YEH2	LM32689	754
	1800	365T		575	100	435	SD4P75/100T65YEH2	LM28915	754

SHADED FRAME INDICATES CAST IRON CONSTRUCTION

Product numbers in red are STOCK items.
Specifications are subject to change without notice

VVF (VARIABLE VOLTAGE VARIABLE FREQUENCY) TRACTION ELEVATOR HOIST MOTORS

3-PHASE • OPEN DRIP-PROOF CONSTRUCTION • FOOT MOUNTED • 7.5 TO 75 HP
1200 RPM & 900 RPM • HIGH ACCELERATION • 60 HZ, 40HZ & 30HZ DESIGNS

Features:

- Dynamic balanced for low vibration operation
- Normally closed thermostats, one per phase
- Low noise design
- Steel frame construction with cast iron endbells
- Class F Insulated, 40° C ambient
- E pact efficiency or better
- 1.0 Service Factor
- 1024 PPR encoder, with 1-inch shaft bore standard
- F-1 Mounting
- 1000:1 Inverter Duty capability
- Made in USA
- Warranty - 18 months from date of manufacture and 12 months from date of installation which ever period expires first



Applications:

Designed for Geared and Gearless Traction Elevators, 100 fpm to 500 fpm operation and up to 12 or 15 floors.

FOOT MOUNTING WITH ENCODER F-1

HP	SYN RPM	No. of Poles	Frame	HZ	Volts	FL Amps	Rated Accel. Torque	Model Number	Product Number	Approx Shpg Wght (lbs)	
7 1/2	1200	6	254T	60	230/460	24/12	225%	SD6P7.5T61ET1	LM28114	221	
	1200	6	254T	60	200	28	225%	SD6P7.5T6006ET1	LM28115	221	
	1200	4	254T	40	230/460	19/9.5	275%	SD4P7.5T41ET1	LM28116	200	
	1200	4	254T	40	200	22	275%	SD4P7.5T4006ET1	LM28117	200	
	900	4	256T	30	230/460	19.6/9.8	275%	SD4P7.5T31ET1	LM28118	278	
	900	4	256T	30	200	23	275%	SD4P7.5T3006ET1	LM28119	278	
10	1200	6	256T	60	230/460	24/12	250%	SSD6P10T61ET1	LM28120	214	
	1200	6	256T	60	200	28	250%	SD6P10T6006ET1	LM28121	214	
	1200	4	256T	40	230/460	19/9.5	275%	SD4P10T41ET1	LM28122	232	
	1200	4	256T	40	200	22	275%	SSD4P10T4006ET1	LM28123	232	
	900	4	284T	30	230/460	19.6/9.8	330%	SD4P10T31ET1	LM28124	280	
	900	4	284T	30	200	23	330%	SD4P10T3006ET1	LM28125	280	
12 1/2	1200	6	284T	60	230/460	42/21	300%	SD6P12.5T61ET1	LM31393	338	
	1200	6	284T	60	200	48.5	300%	SD6P12.5T6006YET1	LM30676	338	
	900	4	284T	30	230/460	34/17	300%	SD4P12.5T31ET1	LM30677	365	
	900	4	284T	30	200	38.5	300%	SD4P12.5T3006ET1	LM30678	365	
15	1800	4	256T	60	230/460			SD4P15T61ET1	LM30679	233	
	1800	4	256T	60	200			SD4P15T6006ET1	LM30680	233	
	1200	6	284T	60	230/460	49/24.5	300%	SD6S15T61YET1	LM28126	341	
	1200	6	284T	60	200	56.5	300%	SD6G15T6006YET1	LM28127	338	
	1200	4	284T	40	230/460	40/20	330%	SD4P15T41ET1	LM28128	344	
	1200	4	284T	40	200	46	330%	SD4P15T4006ET1	LM28129	344	
	900	4	286T	30	230/460	40/20	300%	SD4S15T31YET1	LM30535	392	
	900	4	286T	30	200	46	300%	SD4P15T3006ET1	LM28131	392	
20	1800	4	256T	60	230/460			SD4P20T61ET1	LM30681	240	
	1800	4	256T	60	200			SD4P20T6006ET1	LM30682	240	
	1200	6	286T	60	230/460	61/30.5	275%	SD6S20T61YET1	LM28132	390	
	1200	6	286T	60	200	68	275%	SD6S20T6006YET1	LM28133	400	
	1200	4	286T	40	230/460	52/26	330%	SD4P20T41ET1	LM28134	385	
	1200	4	286T	40	200	60	330%	SD4P20T4006ET1	LM28135	385	
	900	4	324T	30	230/460	54/27	275%	SD4P20T31ET1	LM28136	480	
	900	4	324T	30	200	62.1	275%	SD4P20T3006ET1	LM28137	471	
	25	1800	4	284T	60	230/460	64/32	250%	SD4P25T61ET1	LM30720	350
		1800	4	284T	60	200	73.5	250%	SD4P25T62ET1	LM30721	350
1200		6	324T	60	230/460	64/32	250%	SD6S25T61YET1	LM28138	505	
1200		6	324T	60	200	73.6	250%	SD6P25T6006ET1	LM28139	505	
1200		4	324T	40	230/460	65/32.5	275%	SD4P25T41ET1	LM28140	472	
1200		4	324T	40	200	74.8	275%	SD4P25T4006ET1	LM28141	472	
900		4	326T	30	230/460	64/32	275%	SD4P25T31ET1	LM28142	538	
900		4	326T	30	200	73.6	275%	SD4P25T3006YET1	LM28143	525	

Product numbers in red are STOCK items.

Specifications are subject to change without notice

VVVF (VARIABLE VOLTAGE VARIABLE FREQUENCY) TRACTION ELEVATOR HOIST MOTORS



AC MOTORS

**3-PHASE • OPEN DRIP-PROOF CONSTRUCTION • FOOT MOUNTED • 7.5 TO 75 HP
1200 RPM & 900 RPM • HIGH ACCELERATION • 60 HZ, 40HZ & 30HZ DESIGNS**

FOOT MOUNTING WITH ENCODER F-1 (cont'd)

HP	SYN RPM	No. of Poles	Frame	HZ	Volts	FL Amps	Rated Accel. Torque	Model Number	Product Number	Approx Shpg Wght (lbs)	
30	1800	4	286T	60	230/460	72/36	250%	SD4P30T61ET1	LM30722	400	
		4	286T	60	200	83	250%	SD4P30T62ET1	LM30723	400	
	1200	6	326T	60	230/460	76/38	225%	SD6S30T61YET1	LM27976	535	
		6	326T	60	200	87.4	225%	SD6S30T6006YET1	LM28144	552	
		4	326T	40	230/460	74/37	275%	SD4P30T41ET1	LM28145	516	
		4	326T	40	200	85	275%	SD4P30T4006ET1	LM28146	516	
	900	4	364T	30	230/460	74/37	275%	SD4P30T31ET1	LM28147	575	
		4	364T	30	200	85	275%	SD4P30T3006ET1	LM28148	575	
	40	1800	4	324T	60	230/460	98/49	250%	SD4P40T61ET1	LM30724	470
			4	324T	60	200	113	250%	SD4P40T62ET1	LM30725	470
1200		6	364T	60	230/460	98/49	250%	SD6S40T61YET1	LM28149	755	
		6	364T	60	200	113	250%	SD6S40T6006YET1	LM28150	755	
		4	364T	40	230/460	96/48	275%	SD4P40T41ET1	LM28151	715	
		4	364T	40	200	111	275%	SD4P40T4006ET1	LM28152	715	
900		4	365T	30	230/460	97/48.5	275%	SD4P40T31ET1	LM28153	783	
		4	365T	30	200	112	275%	SD4P40T3006ET1	LM28154	783	
50		1800	4	326T	60	230/460	121/60.5	250%	SD4P50T61ET1	LM30647	522
			4	326T	60	200	139	250%	SD4P50T6006ET1	LM30648	522
	1200	6	365T	60	230/460	129/64.5	275%	SD6S50T61YET1	LM28155	800	
		6	365T	60	200	148	275%	SD6S50T6006YET1	LM28156	800	
		4	365T	40	230/460	120/60	275%	SD4P50T41ET1	LM28157	765	
		4	365T	40	200	138	275%	SD4P50T4006ET1	LM28158	765	
	900	4	405T	30	230/460	118/59	275%	SD4P50T31ET1	LM28159	964	
		4	405T	30	200	136	275%	SD4S50T3006YET1	LM28160	964	
	60	1800	4	364T	60	230/460	140/70		SD4P60T61ET1	LM30649	715
			4	364T	60	200	161		SD4P60T6006ET1	LM30650	715
1200		6	404T	60	230/460	167/83.5	250%	SD6P60T61YET1	LM28161	888	
		6	404T	60	200	192	250%	SD6P60T6006YET1	LM28162	888	
		4	404T	40	230/460	136/68		SD4P60T41ET1	LM28163	870	
		4	404T	40	200	157		SD4P60T4006ET1	LM28164	870	
900		4	444T	30	230/460	140/70	275%	SD4P60T31ET1	LM28165	1277	
		4	444T	30	200	161	275%	SD4P60T3006ET1	LM28166	1277	
75		1800	4	365T	60	230/460	45.5/91		SD4P75T61ET1	LM30651	765
			4	365T	60	200	209		SD4P75T6006ET1	LM30652	765
	1200	6	405T	60	230/460	178/89	250%	SD6P75T61YET1	LM28167	943	
		6	405T	60	200	205	250%	SD6P75T6006YET1	LM28168	943	
		4	405T	40	230/460	170/85		SD4P75T41ET1	LM28169	960	
		4	405T	40	200	196		SD4P75T4006ET1	LM28170	960	

WITH ENCODER • F-1 CONDUIT BOX • C-FACE • NO FEET

HP	SYN RPM	No. of Poles	Frame	HZ	Volts	FL Amps	Rated Accel. Torque	Model Number	Product Number	Approx Shpg Wght (lbs)
7 1/2	1200	6	254T	60	230/460	24/12	225%	SD6P7.5TCN61ET1	LM28200	150
		6	254T	60	200	28	225%	SD6P7.5TCN6006ET1	LM28201	150
		4	254T	40	230/460	19/9.5	275%	SD4P7.5TCN41ET1	LM30655	145
		4	254T	40	200	22	275%	SD4P7.5TCN4006ET1	LM30663	145
	900	4	256T	30	230/460	19.6/9.8	275%	SD4P7.5TCN31ET1	LM28202	225
		4	256T	30	200	23	275%	SD4P7.5TCN3006ET1	LM28203	225
10	1200	6	256T	60	230/460	24/12	250%	SSD6P10TCN61ET1	LM28204	202
		6	256T	60	200	28	250%	SD6P10TCN6006ET1	LM28205	202
		4	256T	40	230/460	19/9.5	275%	SD4P10TCN41ET1	LM30732	230
		4	256T	40	200	22	275%	SD4P10TCN4006ET1	LM30733	230
	900	4	284T	30	230/460	19.6/9.8	330%	SD4P10TCN31ET1	LM28206	355
		4	284T	30	200	23	330%	SD4P10TCN3006ET1	LM28207	355

Product numbers in red are STOCK items.

Specifications are subject to change without notice



VVF (VARIABLE VOLTAGE VARIABLE FREQUENCY) TRACTION ELEVATOR HOIST MOTORS

3-PHASE • OPEN DRIP-PROOF CONSTRUCTION • FOOT MOUNTED • 7.5 TO 75 HP
1200 RPM & 900 RPM • HIGH ACCELERATION • 60 HZ, 40HZ & 30HZ DESIGNS

WITH ENCODER • F-1 CONDUIT BOX • C-FACE • NO FEET (cont'd)

HP	SYN RPM	No. of Poles	Frame	HZ	Volts	FL Amps	Rated Accel. Torque	Model Number	Product Number	Approx Shpg Wght (lbs)	
12 1/2	1200	6	284T	60	230/460	42/21	300%	SD4P12.5TCN61ET1	LM30734	305	
	1200	6	284T	60	200	48.5	300%	SD4P12.5TCN6006ET1	LM30735	305	
	900	4	284T	30	230/460	34/17	300%	SD4P12.5TCN3006ET1	LM30736	355	
	900	4	284T	30	200	38.5	300%	SD4P12.5TCN3006ET1	LM30737	355	
15	1800	4	256T	60	230/460			SD4P15TCN61ET1	LM30748	220	
	1800	4	256T	60	200			SD4P15TCN6006ET1	LM30749	220	
	1200	6	284T	60	230/460	49/24.5	300%	SD6P15TCN61ET1	LM28208	330	
	1200	6	284T	60	200	56.5	300%	SD6S15TCN6006YET1	LM28209	330	
	1200	4	284T	40	230/460	40/20	330%	SD4P15TCN41ET1	LM30750	355	
	1200	4	284T	40	200	46	330%	SD4P15TCN4006ET1	LM30751	355	
	900	4	286T	30	230/460	40/20	300%	SD4P15TCN31ET1	LM28210	388	
	900	4	286T	30	200	46	300%	SD4S15TCN3006ET1	LM28211	388	
	20	1800	4	256T	60	230/460			SD4P20TCN61ET1	LM30752	249
		1800	4	256T	60	200			SD4P20TCN6006ET1	LM30753	249
1200		6	286T	60	230/460	61/30.5	275%	SD6S20TCN61YET1	LM28212	379	
1200		6	286T	60	200	68	275%	SD6S20TCN6006YET1	LM28213	379	
1200		4	286T	40	230/460	52/26	330%	SD4P20TCN41ET1	LM30739	396	
1200		4	286T	40	200	60	330%	SD4P20TCN6006ET1	LM30740	396	
900		4	324T	30	230/460	54/27	275%	SD4P20TCN31ET1	LM28214	480	
900		4	324T	30	200	62.1	275%	SD4S20TCN3006YET1	LM28215	480	
25		1800	4	284T	60	230/460	64/32	250%	SD4P25TCN61ET1	LM31607	355
		1800	4	284T	60	200	73.5	250%	SD4P25TCN6006ET1	LM30760	355
	1200	6	324T	60	230/460	64/32	250%	SD6S25TC61YET1	LM28216	499	
	1200	6	324T	60	200	73.6	250%	SD6P25TCN6006ET1	LM28217	499	
	1200	4	324T	40	230/460	65/32.5	275%	SD4P25TCN41ET1	LM30754	480	
	1200	4	324T	40	200	74.8	275%	SD4P25TCN4006ET1	LM30755	480	
	900	4	326T	30	230/460	64/32	275%	SD4P25TCN31ET1	LM28218	533	
	900	4	326T	30	200	73.6	275%	SD4P25TCN3006ET1	LM28219	533	
	30	1800	4	286T	60	230/460	72/36	250%	SD4S30TCN61YET1	LM30702	397
		1800	4	286T	60	200	83	250%	SD4P30TCN6006ET1	LM30762	397
1200		6	326T	60	230/460	76/38	225%	SD6S30TCN61YET1	LM27971	537	
1200		6	326T	60	200	87.4	225%	SD6S30TCN6006YET1	LM28220	557	
1200		4	326T	40	230/460	74/37	275%	SD4P30TCN41ET1	LM30756	532	
1200		4	326T	40	200	85	275%	SD4P30TCN4006ET1	LM30757	532	
900		4	364T	30	230/460	74/37	275%	SD4P30TCN31ET1	LM28221	720	
900		4	364T	30	200	85	275%	SD4P30TCN3006ET1	LM28222	720	
40		1800	4	324T	60	230/460	98/49	250%	SD4P40TCN61ET1	LM30763	480
		1800	4	324T	60	200	113	250%	SD4P40TCN6006ET1	LM30764	480
	1200	6	364T	60	230/460	98/49	250%	SD6P40TCN61ET1	LM28223	724	
	1200	6	364T	60	200	113	250%	SD6P40TCN6006ET1	LM28224	724	
	1200	4	364T	40	230/460	96/48	275%	SD4P40TCN41ET1	LM30758	715	
	1200	4	364T	40	200	111	275%	SD4P40TCN4006ET1	LM30765	715	
	900	4	365T	30	230/460	97/48.5	275%	SD4P40TCN31ET1	LM28225	775	
	900	4	365T	30	200	112	275%	SD4P40TCN3006ET1	LM28226	775	
	50	1800	4	326T	60	230/460	121/60.5	250%	SD4P50TCN61ET1	LM30746	532
		1800	4	326T	60	200	139	250%	SD4P50TCN6006ET1	LM30747	532
1200		6	365T	60	230/460	129/64.5	275%	SD6P50TCN61ET1	LM28227	775	
1200		6	365T	60	200	148	275%	SD6P50TCN6006ET1	LM28228	775	

ENCODER PIGTAIL KITS - VVF ELEVATOR MOTORS

Applications:

Encoder Pigtail Kits are used to extend the length of the existing encoder leads.

Kit Number	Description
LM30561	30 ft. encoder cable kit
LM31752	40 ft. encoder cable kit
LM30881	50 ft. encoder cable kit

Product numbers in red are STOCK items.

Specifications are subject to change without notice

SUBMERSIBLE HYDRAULIC ELEVATOR PUMP MOTORS

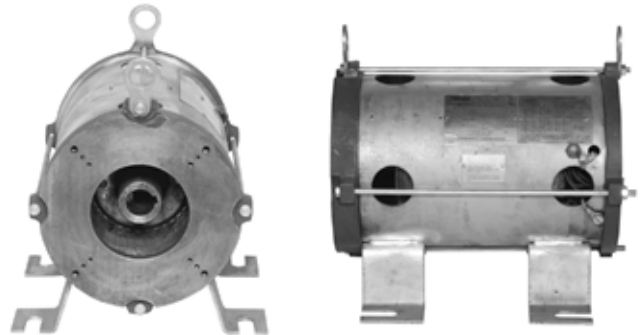


AC MOTORS

3-PHASE • TOTALLY OPEN FRAME CONSTRUCTION
FOOT MOUNTED IN 160ZBS FRAME SIZE

Features:

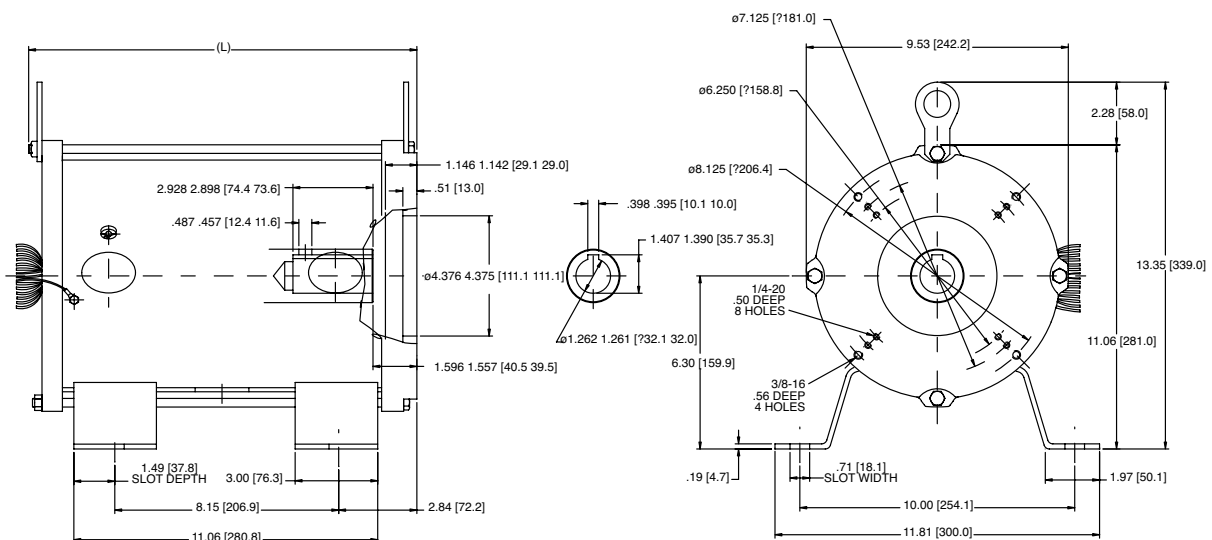
- Intermittent Duty
- Suitable for Wye-Delta Starters
- 1.0 service factor and 70°C Ambient rated
- Three bolt circles, 12 mounting holes, and face mounting to accept both the IMO and Allweiler pumps
- 10 foot long leads, spliced 40 inches from motor to prevent wicking of hydraulic fluid
- Thermostat leads are marked P1 and P2
- Class F insulation
- Two Stainless Steel nameplates, one shipped separate for remote mount
- UL Recognized Component Listing and CSA Approved
- Warranty - 18 months from date of manufacture and 12 months from date of installation which ever period expires first



Applications:

These motors are designed to meet the demands in the Hydraulic Elevator Pump Industry. Our Submersible Hydraulic pump elevator motors are ready to be placed in elevator systems for applications in hydraulic pump passenger, service, freight and low-rise elevators. Rated up to 6 floors at speeds up to 200 fpm.

HP	SYN RPM	Frame	Volts	BTU/HR Motor Losses	KVA Code	FL Amps	Locked Rotor Amps	Model Number	Product Number	FL Eff.	Approx Shpg Wght (lbs)
15	3600	160Z	200	14736	H	53	268	SD2S15Z6006YEH3	LM29656	72.2	110
	3600	160Z	230/460	14736	H	46/23	250/125	SD2S15Z61YEH3	LM29657	72.2	110
	3600	160Z	575	14736	H	18.4	100	SD2S15Z65YEH3	LM29658	72.2	110
20	3600	160Z	200	11792	G	64.4	363	SD2S20Z6006YEH3	LM29659	76.4	112
	3600	160Z	230/460	11792	G	56/28	316/158	SD2S20Z61YEH3	LM29660	76.4	112
	3600	160Z	575	11792	G	22.4	126	SD2S20Z65YEH3	LM29661	76.4	112
25	3600	160Z	200	10148	G	77.1	268	SD2S25Z6006YEH3	LM29662	79.0	115
	3600	160Z	230/460	10148	G	67/33.5	250/125	SD2S25Z61YEH3	LM29663	79.0	115
	3600	160Z	575	10148	G	26.8	100	SD2S25Z65YEH3	LM29664	79.0	115
30	3600	160Z	200	9603	G	92	268	SD2S30Z6006YEH3	LM29665	79.9	119
	3600	160Z	230/460	9603	G	80/40	250/125	SD2S30Z61YEH3	LM29666	79.9	119
	3600	160Z	575	9603	G	32	100	SD2S30Z65YEH3	LM29667	79.9	119
40	3600	160Z	200	7271	G	115	268	SD2S40Z6006YEH3	LM29668	84.0	132
	3600	160Z	230/460	7271	G	100/50	250/125	SD2S40Z61YEH3	LM29669	84.0	132
	3600	160Z	575	7271	G	40	100	SD2S40Z65YEH3	LM29670	84.0	132
50	3600	160Z	200	7271	H	140	268	SD2S50Z6006YEH3	LM29671	84.0	143
	3600	160Z	230/460	7271	H	122/61	250/125	SD2S50Z61YEH3	LM29672	84.0	143
	3600	160Z	575	7271	H	48.8	100	SD2S50Z65YEH3	LM29673	84.0	143



L32 BRACKET CONVERSION KIT

Applications:

Used to adapt the Lincoln Submersible Elevator motors to some IMO and Alweiler Pumps. Kit includes needed through bolts to mount this kit to a Lincoln Submersible Elevator Motor.

Catalog Number	Disc. Sym	App. Wgt (lbs)
LM31777	A	12

Product numbers in red are STOCK items.

Specifications are subject to change without notice