

**TEFC**

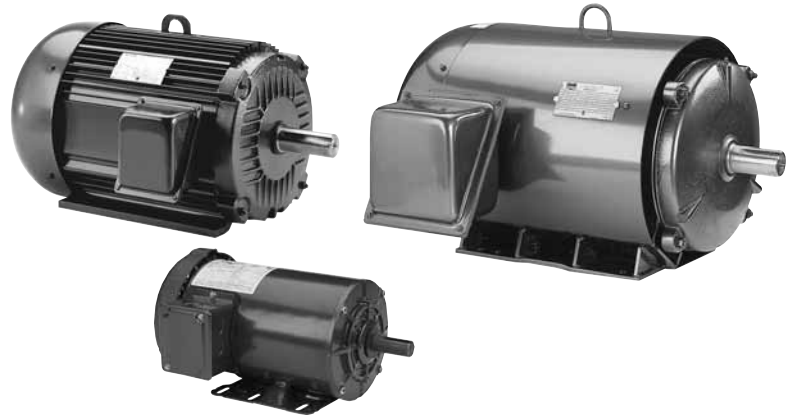
208, 230/460 AND 460 VOLTS • 3-PHASE  
 FOOT MOUNT & C-FACE  
 1/4 TO 400 HP

## Signature Series **MOTORS**

### Frames 48 - 215T

#### Features:

- Industry leading 1.25 service factor\*
- Nameplated for 50 Hz and 208 V/60 Hz Operation – See “Notes” column.
- Continuous Duty
- Inverter-Rated
- Construction materials (reference Model Number) - SPF, SRF & SSF: steel frame/cast aluminum brackets  
CCN: cast iron frame and brackets
- Premium Insulation Systems –  
48 & 56 frames: Class B  
143T-215T frames: Class F
- UL Recognized Component Listing and CSA certified
- Warranty (sine-wave power) – SPF, SRF, SSF (inverter power) – CCN  
48 & 56 frames: 18 months from date of manufacture and 12 months from date of installation which ever period expires first.  
143T-256T frames: 30 months from date of manufacture and 24 months from date of installation which ever period expires first.



## **ULTIMATE E® MOTORS**

### Frames 182T - 449T

#### Features:

- Industry leading 1.25 service factor through 75 HP\*
- Superior speed-torque curves – most models\* nameplated Design B & C – see “Notes” column.
- Two levels of premium efficiency – P efficiency codes meet and B efficiency codes exceed the energy efficiency requirements of the United States and Canada.
- Nameplated for 50 Hz and 208 V/60 Hz Operation – See “Notes” column.
- Continuous Duty
- Inverter-Rated
- Construction Materials (reference Model Number) – AF, AAF: extruded aluminum frame and cast iron brackets  
SF: steel frame and cast iron brackets
- Premium Class F Plus Insulation system
- Y-delta start capability frames 284T-449T
- UL Recognized Component Listing and CSA certified
- Warranty (sine-wave power) - AF-AAF-SF  
182T-449T frames: 42 months from date of manufacture and 36 months from date of installation which ever period expires first.  
Inverter Power: 30 months from date of manufacture and 24 months from date of installation which ever period expires first.
- Shielded ball bearing for direct coupled applications. Contact your local sales office for belted applications.

#### Applications:

For use where exposure to water, dust and corrosives exists. Ideally suited for use on pumps, compressors, fans, blowers, conveyors, machine tools and other industrial applications.



Entire Cast Iron Frame Motors start on pages 207-217 and 252-255.

\* P and B efficiency codes.  
Information subject to change without notice.



**TEFC**

**208, 230/460 AND 460 VOLTS • 3-PHASE  
FOOT MOUNT & C-FACE  
1/4 TO 400 HP**

**FOOT MOUNT**

HP	SYN RPM	Frame	FL Nom Eff (%)	SF	Volts	Model Number	Product Number	Notes (see page 306)	Approx Shpg Wght (lbs)	List Price	Mult Sym	
1/4	1800	48	62.5	1.15	230/460	SPF4S0.25T61	<b>LM24929</b>	H	17	\$283	LT-1A	
1/3	1800	48	65.5	1.15	230/460	SPF4S0.33T61	<b>LM24930</b>	H	20	337	LT-1A	
	1800	56	65.5	1.15	230/460	SRF4S0.33T61	<b>LM24107</b>	H	16	317	LT-1A	
	1200	56	62.0	1.15	230/460	SRF6S0.33T61	<b>LM24931</b>	H, W	22	485	LT-1A	
1/2	3600	56	69.0	1.15	230/460	SRF2S0.5T61	<b>LM24165</b>	H, W	22	323	LT-1A	
	1800	48	70.0	1.15	230/460	SPF4S0.5T61	<b>LM24932</b>	H	23	394	LT-1A	
	1800	56	70.0	1.15	230/460	SRF4S0.5T61	<b>LM24073</b>	H	18	362	LT-1A	
	1200	56	68.0	1.15	230/460	SRF6S0.5T61	<b>LM24105</b>	H, Y	24	524	LT-1A	
	900	143T	66.0	1.15	230/460	SSF8S0.5T61	<b>LM24291</b>	K, Y	31	770	LT-1A	
3/4	3600	56	74.0	1.15	230/460	SRF2S0.75T61	<b>LM24133</b>	H, W	23	357	LT-1A	
	1800	56	75.5	1.15	230/460	SRF4S0.75T61	<b>LM24075</b>	H	30	389	LT-1A	
	1200	56	74.0	1.15	230/460	SRF6S0.75T61	<b>LM24136</b>	H	28	536	LT-1A	
	1200	143T	74.0	1.15	230/460	SSF6S0.75T61	<b>LM24103</b>	K	29	536	LT-1A	
	900	145T	70.0	1.15	230/460	SSF8S0.75T61	<b>LM24276</b>	K	49	882	LT-1A	
1	3600	56	74.0	1.15	230/460	SRF2S1T61	<b>LM24094</b>	H, W	24	420	LT-1A	
	1800	56	77.0	1.15	230/460	SRF4S1T61	<b>LM24078</b>	H, W	27	403	LT-1A	
	1800	143T	82.5	1.25	230/460	SSF4P1T61	<b>LM24088</b>	C, H, V	41	423	LT-1B	
	1800	143T	85.5	1.25	230/460	CCN4B1T61	<b>LM24102</b>	C, H, V	56	650	LT-1E	
	1800	143T	82.5	1.25	230/460	CCN4P1T61	<b>LM25639</b>	C, H, V	56	587	LT-3B	
	1200	145T	80.0	1.25	230/460	SSF6P1T61	<b>LM24092</b>	K, W	34	542	LT-1B	
	1200	56H	78.5	1.15	230/460	SRF6S1T61	<b>LM24159</b>	H	35	588	LT-1A	
	900	182T	70.0	1.15	230/460	AAF8S1T61	<b>LM01260</b>	H, V	64	861	LT-1A	
	1 1/2	3600	56	80.0	1.15	230/460	SRF2S1.5T61	<b>LM24144</b>	H	34	460	LT-1A
		3600	143T	82.5	1.25	230/460	SSF2P1.5T61	<b>LM24119</b>	H, V	32	486	LT-1B
1800		56H	80.0	1.15	230/460	SRF4S1.5T61	<b>LM24118</b>	H	30	428	LT-1A	
1800		145T	84.0	1.25	230/460	SSF4P1.5T61	<b>LM24091</b>	H, V	45	431	LT-1B	
1800		145T	84.0	1.25	230/460	CCN4B1.5T61	<b>LM25637</b>	H	63	693	LT-1E	
1800		145T	84.0	1.15	230/460	CCN4P1.5T61	<b>LM24164</b>	H	62	606	LT-3B	
1200		182T	87.7	1.25	230/460	AAF6B1.5T61	<b>LM15648</b>	K, M	83	791	LT-1E	
1200		182T	85.5	1.25	230/460	AAF6P1.5T61	<b>LM15636</b>	K, V	83	678	LT-1B	
1200		182T	85.5	1.15	230/460	SSF6P1.5T61	<b>LM24933</b>	H, V, D - G130015	54	994	LT-1B	
900		184T	72.0	1.15	230/460	AAF8S1.5T61	<b>LM01301</b>	H, S, X	71	1020	LT-1A	
2	3600	56H	82.5	1.15	230/460	SRF2S2T61	<b>LM24347</b>	H	39	516	LT-1A	
	3600	145T	84.0	1.25	230/460	SSF2P2T61	<b>LM24089</b>	H, V	31	561	LT-1B	
	1800	56H	82.5	1.15	230/460	SRF4S2T61	<b>LM24097</b>	H, S, W	40	455	LT-1A	
	1800	145T	85.5	1.25	230/460	SSF4P2T61	<b>LM24090</b>	A, H, V	41	455	LT-1B	
	1800	145T	85.5	1.15	230/460	CCN4B2T61	<b>LM24127</b>	C, H, W	64	730	LT-1E	
	1800	145T	84.0	1.25	230/460	CCF4P2T61	<b>LM24115</b>	C, H, V	57	625	LT-3B	
	1200	184T	87.5	1.25	230/460	AAF6B2T61	<b>LM15651</b>	C, K, M	92	879	LT-1E	
	1200	184T	86.5	1.25	230/460	AAF6P2T61	<b>LM15639</b>	K, V	92	731	LT-1B	
	1200	184T	86.5	1.15	230/460	SSF6P2T61	<b>LM24934</b>	H, V, D - G130016	72	730	LT-1B	
	900	213T	75.5	1.15	230/460	AF8S2T61	<b>LM01423</b>		101	1210	LT-1A	
3	3600	56H	84.0	1.15	230/460	SRF2S3T61	<b>LM24935</b>	H	51	604	LT-1A	
	3600	182T	85.5	1.15	230/460	SSF2P3T61	<b>LM24936</b>	H, S, ♦, D - G130099	64	644	LT-1B	
	3600	182T	87.5	1.25	230/460	AAF2B3T61	<b>LM15646</b>	H, M	83	1044	LT-1E	
	3600	182T	85.5	1.25	230/460	AAF2P3T61	<b>LM15634</b>	H, V	83	675	LT-1B	
	1800	182T	90.2	1.25	230/460	AAF4B3T61	<b>LM15647</b>	H, V	83	755	LT-1E	
	1800	182T	87.5	1.25	230/460	AAF4P3T61	<b>LM15635</b>	H, P, D	83	634	LT-1B	
	1800	182T	87.5	1.15	230/460	SSF4P3T61	<b>LM24937</b>	H, S, Y, D - G130008	77	542	LT-1B	
	1800	182T	87.5	1.25	230/460	CCF4P3T61AP21	<b>LM24189</b>	H, V, S	90	576	LT-3B	
	1800	182T	87.5	1.25	230/460	AAF4P3T61AP23	<b>LM70001</b>	H, NN	60	493	LT-1B	
	1200	213T	89.5	1.25	230/460	AF6B3T61	<b>LM16030</b>	K, M	127	1265	LT-1E	
1200	213T	87.5	1.25	230/460	AF6P3T61	<b>LM16018</b>	K, P	127	1017	LT-1B		
1200	213T	87.5	1.15	230/460	SSF6P3T61	<b>LM24938</b>	H, V	125	921	LT-1B		
900	215T	77.0	1.15	230/460	AF8S3T61	<b>LM30262</b>		119	1282	LT-1A		

Prices and data subject to change without notice.

**Product numbers in red are STOCK items.**

**TEFC**  
**208, 230/460 AND 460 VOLTS • 3-PHASE**  
**FOOT MOUNT & C-FACE**  
**1/4 TO 400 HP**



**FOOT MOUNT (cont'd)**

HP	SYN RPM	Frame	FL Nom Eff (%)	SF	Volts	Model Number	Product Number	Notes (see page 306)	Approx Shpg Wght (lbs)	List Price	Mult Sym	
5	3600	184T	89.5	1.25	230/460	AAF2B5T61	<b>LM15649</b>	H, V	92	\$1120	LT-1E	
	3600	184T	87.5	1.25	230/460	AAF2P5T61	<b>LM15637</b>	H, S, V, ♣	92	822	LT-1B	
	3600	184T	87.5	1.15	230/460	SSF2P5T61	<b>LM24939</b>	H, D - G130101	81	788	LT-1B	
	1800	184T	90.2	1.25	230/460	AAF4B5T61	<b>LM15650</b>	H, W	92	884	LT-1E	
	1800	184T	87.5	1.25	230/460	AAF4P5T61	<b>LM15638</b>	H, ♥, D	92	703	LT-1B	
	1800	184T	87.5	1.25	230/460	CCF4P5T61AP21	<b>LM24180</b>	H, S, W	123	665	LT-3B	
	1800	184T	87.5	1.15	230/460	SSF4P5T61	<b>LM24940</b>	H,S,W,♣,D - G130027	85	617	LT-1B	
	1800	184T	87.5	1.25	230/460	AAF4P5T61AP23	<b>LM70002*</b>	H, NN, ♥	75	539	LT-1B	
	1200	215T	89.5	1.25	230/460	AF6B5T61	<b>LM16033</b>	K, M	138	1466	LT-1E	
	1200	215T	87.5	1.25	230/460	AF6P5T61	<b>LM16021</b>	K, P	138	1276	LT-1B	
	1200	215T	87.5	1.15	230/460	SSF6P5T61	<b>LM24941</b>	H, V	140	1108	LT-1B	
	900	254T	81.5	1.15	230/460	AF8S5T61	<b>LM30568</b>		159	1800	LT-1A	
	7 1/2	3600	213T	91.0	1.25	230/460	AF2B7.5T61	<b>LM28968</b>	H, M	127	1205	LT-1E
		3600	G213T	88.5	1.25	230/460	AF2P7.5T61	<b>LM16016</b>	H, P	127	1071	LT-1B
		3600	213T	89.5	1.15	230/460	SSF2P7.5T61	<b>LM24942</b>	H, S, X, ♦	109	960	LT-1B
1800		213T	91.0	1.25	230/460	AF4B7.5T61	<b>LM16029</b>	H, N	127	1162	LT-1E	
1800		213T	89.5	1.25	230/460	AF4P7.5T61	<b>LM16017</b>	H, P, D	127	1033	LT-1B	
1800		213T	89.5	1.25	230/460	CCF4P7.5T61AP21	<b>LM24183</b>	H, S, W	194	848	LT-3B	
1800		213T	89.5	1.15	230/460	SSF4P7.5T61	<b>LM24943</b>	H, S, W, ♣	115	827	LT-1B	
1800		213T	89.5	1.25	230/460	AAF4P7.5T61AP23	<b>LM70003</b>	H, NN, ♥	110	773	LT-1B	
1200		254T	91.0	1.25	230/460	AF6B7.5T61	<b>LM15672</b>	K, P	209	2155	LT-1E	
1200		254T	89.5	1.25	230/460	AAF6P7.5T61	<b>LM15660</b>	K, P	209	1953	LT-1B	
900		256T	82.5	1.15	230/460	AF8S7.5T61	<b>LM30120</b>		195	2130	LT-1A	
10		3600	215T	91.0	1.25	230/460	AF2B10T61	<b>LM16031</b>	H, N	138	1465	LT-1E
		3600	G215T	89.5	1.25	230/460	AF2P10T61	<b>LM16019</b>	H, P	138	1271	LT-1B
		3600	215T	89.5	1.15	230/460	SSF2P10T61	<b>LM24944</b>	H, W	126	1221	LT-1B
		1800	215T	91.0	1.25	230/460	AF4B10T61	<b>LM16032</b>	H, N	138	1465	LT-1E
	1800	215T	89.5	1.25	230/460	AAF4P10T61	<b>LM16020</b>	H, Q, D	138	1144	LT-1B	
	1800	215T	89.5	1.15	230/460	CCF4P10T61AP21	<b>LM24185</b>	J, S, Q	227	1032	LT-3B	
	1800	215T	91.0	1.15	230/460	SSF4P10T61	<b>LM24945</b>	H, W	135	1022	LT-1B	
	1800	215T	89.5	1.25	230/460	AAF4P1061AP23	<b>LM70004</b>	H, NN, ♥	125	848	LT-1B	
	1200	256T	91.0	1.25	230/460	AF6B10T61	<b>LM15675</b>	K, N	236	2532	LT-1E	
	1200	256T	89.5	1.25	230/460	AAF6P10T61	<b>LM15663</b>	K, N	236	2218	LT-1B	
	15	3600	254T	91.7	1.25	230/460	AAF2B15T61	<b>LM15670</b>	H, M	209	2008	LT-1E
		3600	G254T	90.2	1.25	230/460	AAF2P15T61	<b>LM15658</b>	H, N	209	1711	LT-1B
		1800	254T	92.4	1.25	230/460	AAF4B15T61	<b>LM15671</b>	H, M	209	1800	LT-1E
		1800	254T	91.0	1.25	230/460	AF4P15T61	<b>LM15659</b>	H, N	209	1607	LT-1B
		1800	254T	91.0	1.25	230/460	CCF4P15T61AP21	<b>LM24182</b>	H, S, W	365	1522	LT-3B
1200		284T	92.4	1.25	230/460	AF6B15T61Y	<b>LM13962</b>	C, K, X	363	3391	LT-1E	
1200		284T	90.2	1.25	230/460	AF6P15T61Y	<b>LM13950</b>	C, K, X	363	2991	LT-1C	
20	3600	256T	91.7	1.25	230/460	AF2B20T61	<b>LM15673</b>	H, N	236	2615	LT-1E	
	3600	256T	90.2	1.25	230/460	AAF2P20T61	<b>LM15661</b>	H, Q	236	2031	LT-1B	
	1800	256T	93.0	1.25	230/460	AAF4B20T61	<b>LM15674</b>	C, H, M	236	2259	LT-1E	
	1800	256T	91.0	1.25	230/460	AAF4P20T61	<b>LM15662</b>	H, Q	236	1905	LT-1B	
	1800	256T	91.0	1.15	230/460	CCF4P20T61AP21	<b>LM24186</b>	J, Q, S	420	1803	LT-3B	
	1200	286T	93.0	1.25	230/460	AF6B20T61Y	<b>LM13965</b>	C, K, M	408	4453	LT-1E	
	1200	286T	90.2	1.25	230/460	AF6P20T61Y	<b>LM13953</b>	C, K, Q	408	3423	LT-1C	
	25	3600	284TS	93.0	1.25	230/460	AF2B25TS61Y	<b>LM13960</b>	H, S, T	363	3839	LT-1E
		3600	284TS	91.0	1.25	230/460	AF2P25TS61Y	<b>LM13948</b>	H, P	363	3118	LT-1C
3600		284T	91.0	1.25	230/460	AF2P25T61Y	<b>LM18899</b>	H, P	363	3118	LT-1C	
1800		284T	94.1	1.25	230/460	AF4B25T61Y	<b>LM13961</b>	C, H, M	363	3022	LT-1E	
1800		284T	92.4	1.25	230/460	AF4P25T61Y	<b>LM13949</b>	C, H, Q	363	2750	LT-1C	
1800		284TS	92.4	1.25	230/460	AF4P25TS61Y	<b>LM20258</b>	C, H, Q	363	2750	LT-1C	
1800		284T	92.4	1.15	230/460	CCF4P25T61Y	<b>LM15786</b>	S	440	2349	LT-3C	
1200		324T	93.0	1.25	230/460	SF6B25T61Y	<b>LM13696</b>	C, K, N	504	5587	LT-1E	
1200		324T	91.7	1.25	230/460	SF6P25T61Y	<b>LM13540</b>	C, K, S, X, ♦	504	5396	LT-1C	

Prices and data subject to change without notice.

**Product numbers in red are STOCK items.**



**TEFC**

**208, 230/460 AND 460 VOLTS • 3-PHASE  
FOOT MOUNT & C-FACE  
1/4 TO 400 HP**

**FOOT MOUNT (cont'd)**

HP	SYN RPM	Frame	FL Nom Eff (%)	SF	Volts	Model Number	Product Number	Notes (see page 306)	Approx Shpg Wght (lbs)	List Price	Mult Sym	
30	3600	286TS	93.0	1.25	230/460	AF2B30TS61Y	<b>LM13963</b>	H, M	408	\$4086	LT-1E	
	3600	286TS	91.0	1.25	230/460	AF2P30TS61Y	<b>LM13951</b>	H, Q	408	3404	LT-1C	
	3600	286T	91.0	1.25	230/460	AF2P30T61Y	<b>LM18902</b>	H, Q, S	408	3403	LT-1C	
	1800	286T	94.5	1.25	230/460	AF4B30T61Y	<b>LM13964</b>	C, M	408	3938	LT-1E	
	1800	286T	92.4	1.25	230/460	AF4P30T61Y	<b>LM13952</b>	C, P, S	408	3044	LT-1C	
	1800	286TS	92.4	1.25	230/460	AF4P30TS61Y	<b>LM20263</b>	C, H, P	408	3044	LT-1C	
	1800	286T	92.4	1.15	230/460	CCF4P30T61Y	<b>LM15789</b>	H, S, ▼	494	2808	LT-3C	
	1200	326T	92.4	1.25	230/460	SF6B30T61Y	<b>LM13697</b>	C, K, Q	558	5618	LT-1E	
	1200	326T	91.7	1.25	230/460	SF6P30T61Y	<b>LM13541</b>	C, K, Q	570	5535	LT-1C	
	40	3600	324TS	94.1	1.25	230/460	SF2B40TS61Y	<b>LM13698</b>	H, P	504	5728	LT-1E
		3600	324TS	91.7	1.25	230/460	SF2P40TS61Y	<b>LM13542</b>	H, Q	504	4884	LT-1C
		3600	324T	91.7	1.25	230/460	SF2P40T61Y	<b>LM18395</b>	H, Q, S	504	4694	LT-1C
1800		324T	94.1	1.25	230/460	SF4B40T61Y	<b>LM13699</b>	C, M	504	6097	LT-1E	
1800		324T	93.0	1.25	230/460	SF4P40T61Y	<b>LM13543</b>	C, S, X, ▼	504	4113	LT-1C	
1800		324TS	93.0	1.25	230/460	SF4P40TS61Y	<b>LM18394</b>	C, M, S, ▼	504	4113	LT-1C	
1200		364T	94.5	1.25	230/460	SF6B40T61Y	<b>LM13918</b>	C, P	765	7618	LT-1E	
1200		364T	93.0	1.15	230/460	SF6P40T61Y	<b>LM14798</b>	C, P, S	765	5924	LT-1C	
50		3600	326TS	94.1	1.25	230/460	SF2B50TS61Y	<b>LM13700</b>	H, M	558	5980	LT-1E
		3600	326TS	92.4	1.25	230/460	SF2P50TS61Y	<b>LM13544</b>	H, Q	558	5701	LT-1C
		3600	326T	92.4	1.25	230/460	SF2P50T61Y	<b>LM18397</b>	H, Q	558	5701	LT-1C
		1800	326T	95.0	1.25	230/460	SF4B50T61Y	<b>LM13701</b>	C, H, M	558	5707	LT-1E
	1800	326T	93.0	1.25	230/460	SF4P50T61Y	<b>LM13545</b>	C, H, N	558	4618	LT-1C	
	1800	326TS	93.0	1.25	230/460	SF4P50TS61Y	<b>LM17556</b>	C, H, N	558	4618	LT-1C	
	1200	365T	94.5	1.25	230/460	SF6B50T61Y	<b>LM13921</b>	C, M	822	8237	LT-1E	
	1200	365T	93.0	1.25	230/460	SF6P50T61Y	<b>LM14801</b>	C, P, S	822	7054	LT-1C	
	60	3600	364TS	95.0	1.25	230/460	SF2B60TS61Y	<b>LM14808</b>	H, M	765	8696	LT-1E
		3600	364TS	93.0	1.25	230/460	SF2P60TS61Y	<b>LM13904</b>	H, N	765	6871	LT-1C
		3600	364T	93.0	1.25	230/460	SF2P60T61Y	<b>LM20276</b>	H, N	765	6730	LT-1C
		1800	364T	95.0	1.25	230/460	SF4B60T61Y	<b>LM14809</b>	C, H, N	765	8023	LT-1E
1800		364T	93.6	1.25	230/460	SF4P60T61Y	<b>LM14797</b>	H, N	765	6367	LT-1C	
1800		364TS	93.6	1.25	230/460	SF4P60TS61Y	<b>LM18398</b>	H, N	765	6367	LT-1C	
1200		404T	94.5	1.15	230/460	SF6B60T61Y	<b>LM13938</b>	C, P, S	918	9679	LT-1E	
1200		404T	93.6	1.15	230/460	SF6P60T61Y	<b>LM13928</b>	S, X	918	8498	LT-1D	
75		3600	365TS	95.0	1.25	230/460	SF2B75TS61Y	<b>LM14810</b>	H, M	822	9554	LT-1E
		3600	365TS	93.0	1.25	230/460	SF2P75TS61Y	<b>LM14799</b>	H, Q	822	8182	LT-1C
		3600	365T	93.0	1.25	230/460	SF2P75T61Y	<b>LM20189</b>	H, Q	822	8182	LT-1C
		1800	365T	95.0	1.15	230/460	SF4B75T61Y	<b>LM14811</b>	C, J, N	822	9472	LT-1E
	1800	365T	94.1	1.25	230/460	SF4P75T61Y	<b>LM14800</b>	H, Q	822	8030	LT-1C	
	1800	365TS	94.1	1.25	230/460	SF4P75TS61Y	<b>LM18399</b>	H, Q	822	8030	LT-1C	
	1200	405T	94.5	1.15	230/460	SF6B75T61Y	<b>LM13941</b>	K, P	1002	12563	LT-1E	
	1200	405T	93.6	1.15	230/460	SF6P75T61Y	<b>LM13931</b>	K, Q	1002	11028	LT-1D	
	100	3600	405TS	95.8	1.15	230/460	SF2B100TS61Y	<b>LM13939</b>	J, M	1002	13427	LT-1E
		3600	405TS	93.6	1.15	230/460	SF2P100TS61Y	<b>LM13929</b>	J, N	1002	11195	LT-1D
		3600	405T	93.6	1.15	230/460	SF2P100T61Y	<b>LM20286</b>	J, N	1002	11195	LT-1D
		1800	405T	95.4	1.15	230/460	SF4B100T61Y	<b>LM13940</b>	C, J, M	1002	11942	LT-1E
1800		405T	94.5	1.15	230/460	SF4P100T61Y	<b>LM13930</b>	J, M	1002	9702	LT-1D	
1800		405TS	94.5	1.15	230/460	SF4P100TS61Y	<b>LM20284</b>	J, M	1002	9702	LT-1D	
1200		444T	95.4	1.15	460	SF6B100T64Y	<b>LM13702</b>	C, U	1351	16055	LT-1E	
1200		444T	94.1	1.15	460	SF6P100T64Y	<b>LM13546</b>	U	1351	12915	LT-1D	
125		3600	444TS	95.8	1.15	460	SF2B125TS64Y	<b>LM13703</b>	N	1351	17215	LT-1E
		3600	444TS	94.5	1.15	460	SF2P125TS64Y	<b>LM13547</b>	M	1351	13635	LT-1D
		1800	444T	96.2	1.15	460	SF4B125T64Y	<b>LM13704</b>	C, M	1351	15945	LT-1E
		1800	444T	94.5	1.15	460	SF4P125T64Y	<b>LM13548</b>	C	1351	12968	LT-1D
	1800	444TS	94.5	1.15	460	SF4P125TS64Y	<b>LM22760</b>	C, M	1351	12968	LT-1D	
	1200	445T	95.8	1.15	460	SF6B125T64Y	<b>LM13705</b>	C, M	1531	19481	LT-1E	
	1200	445T	94.1	1.15	460	SF6P125T64Y	<b>LM13549</b>	C, S, M, ◆	1504	15427	LT-1D	

Prices and data subject to change without notice.

Product numbers in red are STOCK items.

**TEFC**  
**208, 230/460 AND 460 VOLTS • 3-PHASE**  
**FOOT MOUNT & C-FACE**  
**1/4 TO 400 HP**



**FOOT MOUNT (cont'd)**

HP	SYN RPM	Frame	FL Nom Eff (%)	SF	Volts	Model Number	Product Number	Notes (see page 306)	Approx Shpg Wght (lbs)	List Price	Mult Sym	
150	3600	445TS	96.2	1.15	460	SF2B150TS64Y	<b>LM13706</b>	M	1531	\$21308	LT-1E	
	3600	445TS	94.5	1.15	460	SF2P150TS64Y	<b>LM13550</b>	N	1531	16875	LT-1D	
	1800	445T	96.2	1.15	460	SF4B150T64Y	<b>LM13707</b>	C, N	1531	18667	LT-1E	
	1800	445T	95.0	1.15	460	SF4P150T64Y	<b>LM13551</b>	C, N	1504	15042	LT-1D	
	1800	445TS	95.0	1.15	460	SF4P150TS64Y	<b>LM16158</b>	C, N	1504	15042	LT-1D	
	1200	447T	95.8	1.15	460	SF6B150T64Y	<b>LM16231</b>	C, T	1812	23973	LT-1E	
	1200	445T	95.8	1.15	460	SF6B150T64Y	<b>LM13708</b>	C, U	1531	22832	LT-1E	
	1200	447T	95.0	1.15	460	SF6P150T64Y	<b>LM16221</b>	C, U	1812	18985	LT-1D	
	1200	445T	95.0	1.15	460	SF6P150T64Y	<b>LM13552</b>	C	1504	18081	LT-1D	
	200	3600	447TS	96.2	1.15	460	SF2B200TS64Y	<b>LM16229</b>	N	1812	28353	LT-1E
3600		445TS	96.2	1.15	460	SF2B200TS64Y	<b>LM13709</b>	N	1531	27001	LT-1E	
3600		447TS	95.0	1.15	460	SF2P200TS64Y	<b>LM16219</b>	N	1812	22456	LT-1D	
3600		445TS	95.0	1.15	460	SF2P200TS64Y	<b>LM13553</b>	N	1504	21384	LT-1D	
1800		447T	96.5	1.15	460	SF4B200T64Y	<b>LM16230</b>	C, N	1812	23594	LT-1E	
1800		445T	96.2	1.15	460	SF4B200T64Y	<b>LM13710</b>	C, N	1531	22472	LT-1E	
1800		447T	95.0	1.15	460	SF4P200T64Y	<b>LM16220</b>	C, N	1812	19198	LT-1D	
1800		445T	95.0	1.15	460	SF4P200T64Y	<b>LM13554</b>	C, S, M, ♣	1504	18603	LT-1D	
1800		445TS	95.0	1.15	460	SF4P200TS64Y	<b>LM15941</b>	C, ♠, ♣	1504	18603	LT-1D	
1200		447T	95.8	1.15	460	SF6B200T64Y	<b>LM13711</b>	C, U	1812	26094	LT-1E	
1200	447T	95.0	1.15	460	SF6P200T64Y	<b>LM13555</b>	C, S	1812	20665	LT-1D		
250	3600	449TS	96.5	1.15	460	SF2B250TS64Y	<b>LM16232</b>	N	2185	34250	LT-1E	
	3600	447TS	96.2	1.15	460	SF2B250TS64Y	<b>LM13712</b>	U	1812	32620	LT-1E	
	3600	449TS	95.4	1.15	460	SF2P250TS64Y	<b>LM16222</b>	U	2185	27122	LT-1D	
	3600	447TS	95.4	1.00	460	SF2P250TS64Y	<b>LM13556</b>		1812	25832	LT-1D	
	1800	449T	96.5	1.15	460	SF4B250T64Y	<b>LM16233</b>	M	2185	28160	LT-1E	
	1800	447T	96.2	1.15	460	SF4B250T64Y	<b>LM13713</b>	N	1812	26818	LT-1E	
	1800	449T	95.0	1.15	460	SF4P250T64Y	<b>LM16223</b>	U	2185	23317	LT-1D	
	1800	447T	95.0	1.15	460	SF4P250T64Y	<b>LM13557</b>	U	1812	22205	LT-1D	
	1800	447TS	95.0	1.15	460	SF4P250TS64Y	<b>LM14751</b>	U	1812	22205	LT-1D	
	300	3600	449TS	96.2	1.15	460	SF2B300TS64Y	<b>LM13715</b>	U	2185	40607	LT-1E
3600		449TS	95.4	1.15	460	SF2P300TS64Y	<b>LM13559</b>		2185	31572	LT-1D	
1800		449T	96.5	1.15	460	SF4B300T64Y	<b>LM17956</b>	N	2185	30823	LT-1E	
1800		447T	96.2	1.15	460	SF4B300T64Y	<b>LM13716</b>	N	1812	29356	LT-1E	
1800		449T	95.4	1.15	460	SF4P300T64Y	<b>LM17953</b>	U	2185	24374	LT-1D	
1800		449TS	95.4	1.15	460	SF4P300TS64Y	<b>LM18347</b>	U	2185	24374	LT-1D	
1800		447T	95.4	1.00	460	SF4P300T64Y	<b>LM13560</b>		1812	23215	LT-1D	
1800		447TS	95.4	1.00	460	SF4P300TS64Y	<b>LM18319</b>		1812	23215	LT-1D	
350		3600	449TS	95.8	1.15	460	SF2B350TS64Y	<b>LM13719</b>	U	2185	44218	LT-1E
		3600	449TS	95.4	1.00	460	SF2P350TS64Y	<b>LM13562</b>		2185	35014	LT-1D
	1800	449T	96.2	1.15	460	SF4B350T64Y	<b>LM13720</b>	U	2185	36244	LT-1E	
	1800	449T	95.4	1.15	460	SF4P350T64Y	<b>LM13563</b>		2185	24044	LT-1D	
400	3600	449TS	95.8	1.00	460	SF2B400TS64Y	<b>LM13721</b>		2185	54001	LT-1E	
	3600	449TS	95.4	1.00	460	SF2P400TS64Y	<b>LM13564</b>		2185	42767	LT-1D	
	1800	449T	96.2	1.15	460	SF4B400T64Y	<b>LM13722</b>	U	2185	41678	LT-1E	
	1800	449T	95.4	1.00	460	SF4P400T64Y	<b>LM13565</b>		2185	31800	LT-1D	

Prices and data subject to change without notice.

Product numbers in red are STOCK items.



**TEFC**

**208, 230/460 AND 460 VOLTS • 3-PHASE  
FOOT MOUNT & C-FACE  
1/4 TO 400 HP**

**C-FACE WITH FEET**

HP	SYN RPM	Frame	FL Nom Eff (%)	SF	Volts	Model Number	Product Number	Notes (see page 306)	Approx Shpg Wght (lbs)	List Price	Mult Sym	
1/4	1800	56C	62.5	1.15	230/460	SRF4S0.25TC61	<b>LM24946</b>	H, V	21	\$323	LT-1A	
1/3	1800	56C	65.5	1.15	230/460	SRF4S0.33TC61	<b>LM24114</b>	H	21	357	LT-1A	
	1200	56C	62.0	1.15	230/460	SRF6S0.33TC61	<b>LM24948</b>	H, W	22	527	LT-1A	
1/2	3600	56C	69.0	1.15	230/460	SRF2S0.5TC61	<b>LM24129</b>	H, W	22	364	LT-1A	
	1800	56C	70.0	1.15	230/460	SRF4S0.5TC61	<b>LM24074</b>	H	18	402	LT-1A	
	1200	56C	68.0	1.15	230/460	SRF6S0.5TC61	<b>LM24104</b>	H, Y	24	565	LT-1A	
	900	143TC	66.0	1.15	230/460	SSF8S0.5TC61	<b>LM24949</b>	K, Y	31	811	LT-1A	
3/4	3600	56C	74.0	1.15	230/460	SRF2S0.75TC61	<b>LM24134</b>	H, W	22	399	LT-1A	
	1800	56C	75.5	1.15	230/460	SRF4S0.75TC61	<b>LM24076</b>	H	20	429	LT-1A	
	1200	56C	74.0	1.15	230/460	SRF6S0.75TC61	<b>LM24140</b>	H	26	577	LT-1A	
	1200	143TC	74.0	1.15	230/460	SSF6S0.75TC61	<b>LM24273</b>	K, S	28	577	LT-1A	
	900	145TC	70.0	1.15	230/460	SSF8S0.75TC61	<b>LM24265</b>	K	49	923	LT-1A	
1	3600	56C	74.0	1.15	230/460	SRF2S1TC61	<b>LM24126</b>	H, W	25	460	LT-1A	
	1800	56C	77.0	1.15	230/460	SRF4S1TC61	<b>LM24079</b>	H, W	28	464	LT-1A	
	1800	143TC	82.5	1.25	230/460	SSF4P1TC61	<b>LM24085</b>	C, H, V	41	444	LT-1B	
	1200	56HC	78.5	1.15	230/460	SRF6S1TC61	<b>LM24349</b>	H	38	583	LT-1A	
	1200	145TC	80.0	1.25	230/460	SSF6P1TC61	<b>LM24122</b>	K, W	47	629	LT-1B	
	900	182TC	70.0	1.15	230/460	AAF8S1TC61	<b>LM01263</b>	H, V	68	902	LT-1A	
	1 1/2	3600	56C	80.0	1.15	230/460	SRF2S1.5TC61	<b>LM24135</b>	H	41	501	LT-1A
3600		143TC	82.5	1.25	230/460	SSF2P1.5TC61	<b>LM24950</b>	H, V	41	529	LT-1B	
1800		56HC	80.0	1.15	230/460	SRF4S1.5TC61	<b>LM24095</b>	H	31	470	LT-1A	
1800		145TC	84.0	1.25	230/460	SSF4P1.5TC61	<b>LM24086</b>	H, V	44	472	LT-1B	
1200		182TC	87.5	1.25	230/460	AAF6B1.5TC61	<b>LM16728</b>	K, M	95	853	LT-1E	
1200		182TC	85.5	1.25	230/460	AAF6P1.5TC61	<b>LM13662</b>	K, V	85	753	LT-1B	
1200		182TC	85.5	1.15	230/460	SSF6P1.5TC61	<b>LM24951</b>	H, V	54	742	LT-1B	
900		184TC	72.0	1.15	230/460	AAF8S1.5TC61	<b>LM01304</b>	H, ♦	75	1084	LT-1A	
2		3600	56HC	82.5	1.15	230/460	SRF2S2TC61	<b>LM24121</b>	H	38	557	LT-1A
	3600	145TC	84.0	1.25	230/460	SSF2P2TC61	<b>LM24113</b>	H, V	40	603	LT-1B	
	1800	56HC	82.5	1.15	230/460	SRF4S2TC61	<b>LM24081</b>	H, V	50	477	LT-1A	
	1800	145TC	85.5	1.25	230/460	SSF4P2TC61	<b>LM24087</b>	H, V	46	496	LT-1B	
	1200	184TC	87.5	1.25	230/460	AAF6B2TC61	<b>LM16739</b>	C, K, M	104	942	LT-1E	
	1200	184TC	86.5	1.25	230/460	AAF6P2TC61	<b>LM13665</b>	K, V	104	795	LT-1B	
	1200	184TC	86.5	1.15	230/460	SSF6P2TC61	<b>LM24952</b>	H, V	56	793	LT-1B	
	900	213TC	75.5	1.15	230/460	AAF8S2TC61	<b>LM01426</b>		107	1282	LT-1A	
	3	3600	56HC	84.0	1.15	230/460	SRF2S3TC61	<b>LM24953</b>	H	53	644	LT-1A
		3600	182TC	87.5	1.25	230/460	AAF2B3TC61	<b>LM16741</b>	H, S, V	95	934	LT-1E
3600		182TC	85.5	1.25	230/460	AAF2P3TC61	<b>LM13666</b>	H, V	95	740	LT-1B	
3600		182TC	85.5	1.15	230/460	SSF2P3TC61	<b>LM24954</b>	H, V, D - G131899	66	678	LT-1B	
1800		182TC	90.2	1.25	230/460	AAF4B3TC61	<b>LM16742</b>	H, V	95	819	LT-1E	
1800		182TC	87.5	1.25	230/460	AAF4P3TC61	<b>LM13667</b>	H, S, Y	95	684	LT-1B	
1800		182TC	87.5	1.15	230/460	SSF4P3TC61	<b>LM24955</b>	H, D - G130326	79	610	LT-1B	
1200		213TC	89.5	1.25	230/460	AF6B3TC61	<b>LM16744</b>	K, M	138	1341	LT-1E	
1200		213TC	87.5	1.25	230/460	AF6P3TC61	<b>LM13668</b>	K, P	138	1067	LT-1B	
1200		213TC	87.5	1.15	230/460	SSF6P3TC61	<b>LM24956</b>	H, V	90	992	LT-1B	
900		215TC	77.0	1.15	230/460	AF8S3TC61	<b>LM01475</b>		125	1355	LT-1A	
5		3600	184TC	89.5	1.25	230/460	AAF2B5TC61	<b>LM16745</b>	H, N	104	1056	LT-1E
		3600	184TC	87.5	1.25	230/460	AAF2P5TC61	<b>LM13669</b>	H, ♣	104	884	LT-1B
	3600	184TC	87.5	1.15	230/460	SSF2P5TC61	<b>LM24957</b>	H, W, D - G131173	85	852	LT-1B	
	1800	184TC	90.2	1.25	230/460	AAF4B5TC61	<b>LM16747</b>	H, W	104	950	LT-1E	
	1800	184TC	87.5	1.25	230/460	AAF4P5TC61	<b>LM13744</b>	H, ♥	104	766	LT-1B	
	1800	184TC	87.5	1.15	230/460	SSF4P5TC61	<b>LM24958</b>	♣, N, S, D - G130328	90	681	LT-1B	
	1200	215TC	89.5	1.25	230/460	AF6B5TC61	<b>LM16748</b>	K, M	149	1538	LT-1E	
	1200	215TC	87.5	1.25	230/460	AF6P5TC61	<b>LM13800</b>	K, P	149	1349	LT-1B	
	1200	215TC	87.5	1.15	230/460	SSF6P5TC61	<b>LM24959</b>	H, V	115	1179	LT-1B	
	900	254TC	81.5	1.15	230/460	AF8S5TC61	<b>LM01569</b>		167	1895	LT-1A	

Prices and data subject to change without notice.

Product numbers in red are STOCK items.

**TEFC**  
**208, 230/460 AND 460 VOLTS • 3-PHASE**  
**FOOT MOUNT & C-FACE**  
**1/4 TO 400 HP**



**C-FACE WITH FEET (cont'd)**

HP	SYN RPM	Frame	FL Nom Eff (%)	SF	Volts	Model Number	Product Number	Notes (see page 306)	Approx Shpg Wght (lbs)	List Price	Mult Sym	
7 1/2	3600	213TC	91.0	1.25	230/460	AAF2B7.5TC61	<b>LM16750</b>	H, M	138	\$1278	LT-1E	
	3600	G213TC	88.5	1.25	230/460	AF2P7.5TC61	<b>LM13835</b>	H, P	138	1148	LT-1B	
	3600	213TC	89.5	1.15	230/460	SSF2P7.5TC61	<b>LM24960</b>	H, ♦	118	1032	LT-1B	
	1800	213TC	91.0	1.25	230/460	AF4B7.5TC61	<b>LM16752</b>	H, N	138	1250	LT-1E	
	1800	213TC	89.5	1.25	230/460	AF4P7.5TC61	<b>LM16240</b>	H, P	138	1124	LT-1B	
	1800	213TC	89.5	1.15	230/460	SSF4P7.5TC61	<b>LM24961</b>	H, ♣	135	979	LT-1B	
	1200	254TC	91.0	1.25	230/460	AAF6B7.5TC61	<b>LM16753</b>	K, P	221	2104	LT-1E	
	1200	254TC	89.5	1.25	230/460	AAF6P7.5TC61	<b>LM16241</b>	K, P	221	1930	LT-1B	
	900	256TC	82.5	1.15	230/460	AF8S7.5TC61	<b>LM01614</b>		203	2227	LT-1A	
	10	3600	215TC	91.0	1.25	230/460	AF2B10TC61	<b>LM16755</b>	H, N	149	1538	LT-1E
3600		G215TC	89.5	1.25	230/460	AF2P10TC61	<b>LM16242</b>	H, P	149	1344	LT-1B	
3600		215TC	89.5	1.15	230/460	SSF2P10TC61	<b>LM24962</b>	H	125	1292	LT-1B	
1800		215TC	91.0	1.25	230/460	AF4B10TC61	<b>LM16757</b>	H, N	149	1537	LT-1E	
1800		215TC	89.5	1.25	230/460	AF4P10TC61	<b>LM16243</b>	H, Q	149	1183	LT-1B	
1800		215TC	91.0	1.15	230/460	SSF4P10TC61	<b>LM24963</b>	H, W	135	1082	LT-1B	
1200		256TC	91.0	1.25	230/460	AF6B10TC61	<b>LM16759</b>	K, M	248	2630	LT-1E	
1200		256TC	89.5	1.25	230/460	AAF6P10TC61	<b>LM16244</b>	K, N	248	2314	LT-1B	
15		3600	254TC	91.7	1.25	230/460	AF2B15TC61	<b>LM16761</b>	H, M	221	2104	LT-1E
		3600	G254TC	90.2	1.25	230/460	AAF2P15TC61	<b>LM16245</b>	H, N	221	1809	LT-1B
	1800	254TC	92.4	1.25	230/460	AF4B15TC61	<b>LM16762</b>	H, M, S	221	2165	LT-1E	
	1800	254TC	91.0	1.25	230/460	AAF4P15TC61	<b>LM16246</b>	H, N	247	1702	LT-1B	
	1200	284TC	92.4	1.25	230/460	AF6B15TC61Y	<b>LM16764</b>	C, K, M	370	3558	LT-1E	
	1200	284TC	90.2	1.25	230/460	AF6P15TC61Y	<b>LM16247</b>	C, K, Q	370	3075	LT-1C	
	20	3600	256TC	91.7	1.25	230/460	AF2B20TC61	<b>LM16766</b>	H, N	248	2648	LT-1E
		3600	256TC	90.2	1.25	230/460	AF2P20TC61	<b>LM16248</b>	H, Q	248	2126	LT-1B
		1800	256TC	93.0	1.25	230/460	AF4B20TC61	<b>LM16767</b>	C, H, M	248	2354	LT-1E
		1800	256TC	91.0	1.25	230/460	AF4P20TC61	<b>LM16249</b>	H, Q	284	2002	LT-1B
1200		286TC	93.0	1.25	230/460	AF6B20TC61Y	<b>LM16769</b>	C, K, M	415	4618	LT-1E	
1200		286TC	90.2	1.25	230/460	AF6P20TC61Y	<b>LM16250</b>	C, K, Q	415	3591	LT-1C	
25		3600	284TSC	92.4	1.25	230/460	AF2B25TSC61Y	<b>LM16770</b>	H, M	370	3482	LT-1E
		3600	284TSC	91.0	1.25	230/460	AF2P25TSC61Y	<b>LM16251</b>	H, P	370	3126	LT-1C
		1800	284TC	94.1	1.25	230/460	AF4B25TC61Y	<b>LM16772</b>	H, M	370	3157	LT-1E
		1800	284TC	92.4	1.25	230/460	AF4P25TC61Y	<b>LM16252</b>	H, Q, S	370	2748	LT-1C
	1800	284TSC	92.4	1.25	230/460	AF4P25TSC61Y	<b>LM18897</b>	H, Q, S	370	2741	LT-1C	
	1200	324TC	93.0	1.25	230/460	SF6B25TC61Y	<b>LM13723</b>	C, K, N	514	5354	LT-1E	
	1200	324TC	91.7	1.25	230/460	SF6P25TC61Y	<b>LM13566</b>	C, K, ♦	514	5579	LT-1C	
	30	3600	286TSC	93.0	1.25	230/460	AF2B30TSC61Y	<b>LM16773</b>	H, M	415	4098	LT-1E
		3600	286TSC	91.0	1.25	230/460	AF2P30TSC61Y	<b>LM16253</b>	H, Q, S	415	3417	LT-1C
		1800	286TC	94.5	1.25	230/460	AF4B30TC61Y	<b>LM16774</b>	H, M	415	4102	LT-1E
1800		286TC	92.4	1.25	230/460	AF4P30TC61Y	<b>LM16254</b>	H, P	415	3211	LT-1C	
1800		286TSC	92.4	1.25	230/460	AF4P30TSC61Y	<b>LM18907</b>	H, P, S	415	3211	LT-1C	
1200		326TC	92.4	1.25	230/460	SF6B30TC61Y	<b>LM13724</b>	C, K, Q	568	5894	LT-1E	
1200		326TC	91.7	1.25	230/460	SF6P30TC61Y	<b>LM13567</b>	C, K, Q	580	5589	LT-1C	
40		3600	324TSC	94.1	1.25	230/460	SF2B40TSC61Y	<b>LM13725</b>	H, P	514	6121	LT-1E
		3600	324TSC	91.7	1.25	230/460	SF2P40TSC61Y	<b>LM13568</b>	H, Q	514	4828	LT-1C
		1800	324TC	94.1	1.25	230/460	SF4B40TC61Y	<b>LM13726</b>	C, H, M	514	5937	LT-1E
	1800	324TC	93.0	1.25	230/460	SF4P40TC61Y	<b>LM13569</b>	C, H, ♦	514	4196	LT-1C	
	1800	324TSC	93.0	1.25	230/460	SF4P40TSC61Y	<b>LM16052</b>	C, H, M, S, ♦	514	4196	LT-1C	
	1200	364TC	94.5	1.25	230/460	SF6B40TC61Y	<b>LM15565</b>	C, K, M	777	7776	LT-1E	
	1200	364TC	93.0	1.15	230/460	SF6P40TC61Y	<b>LM15554</b>	K	777	6084	LT-1C	
	50	3600	326TSC	94.1	1.25	230/460	SF2B50TSC61Y	<b>LM13727</b>	H, M	568	6256	LT-1E
		3600	326TSC	92.4	1.25	230/460	SF2P50TSC61Y	<b>LM13570</b>	H, Q	568	5449	LT-1C
		1800	326TC	95.0	1.25	230/460	SF4B50TC61Y	<b>LM13728</b>	C, H, M	568	5713	LT-1E
1800		326TC	93.0	1.25	230/460	SF4P50TC61Y	<b>LM13571</b>	C, H, N	568	4461	LT-1C	
1800		326TSC	93.0	1.25	230/460	SF4P50TSC61Y	<b>LM16055</b>	C, H, N	568	4461	LT-1C	
1200		365TC	94.5	1.25	230/460	SF6B50TC61Y	<b>LM15568</b>	C, K, M	834	8681	LT-1E	
1200		365TC	93.0	1.25	230/460	SF6P50TC61Y	<b>LM15557</b>	K, Q, S	834	7498	LT-1C	

Prices and data subject to change without notice.

**Product numbers in red are STOCK items.**



**TEFC**

**208, 230/460 AND 460 VOLTS • 3-PHASE  
FOOT MOUNT & C-FACE  
1/4 TO 400 HP**

**C-FACE WITH FEET (cont'd)**

HP	SYN RPM	Frame	FL Nom Eff (%)	SF	Volts	Model Number	Product Number	Notes (see page 306)	Approx Shpg Wght (lbs)	List Price	Mult Sym	
60	3600	364TSC	95.0	1.25	230/460	SF2B60TSC61Y	LM15562	H, M	777	\$8350	LT-1E	
	3600	364TSC	93.0	1.25	230/460	SF2P60TSC61Y	LM15552	H, N	777	6791	LT-1C	
	1800	364TC	95.0	1.25	230/460	SF4B60TC61Y	LM15563	C, H, N	777	7949	LT-1E	
	1800	364TC	93.6	1.25	230/460	SF4P60TC61Y	LM15553	H, N	777	6819	LT-1C	
	1800	364TSC	93.6	1.25	230/460	SF4P60TSC61Y	LM16059	H, N	777	6819	LT-1C	
	1200	404TC	94.5	1.15	230/460	SF6B60TC61Y	LM16716	C, K, P	934	10205	LT-1E	
	1200	404TC	93.6	1.15	230/460	SF6P60TC61Y	LM13654	K, ♦	934	8621	LT-1D	
	75	3600	365TSC	95.0	1.25	230/460	SF2B75TSC61Y	LM15566	H, M	834	9999	LT-1E
		3600	365TSC	93.0	1.25	230/460	SF2P75TSC61Y	LM15555	H	834	8626	LT-1C
		1800	365TC	95.0	1.15	230/460	SF4B75TC61Y	LM15567	C, J, N	834	9915	LT-1E
1800		365TC	94.1	1.25	230/460	SF4P75TC61Y	LM15556	H, Q	834	8474	LT-1C	
1800		365TSC	94.1	1.25	230/460	SF4P75TSC61Y	LM16063	H, Q	834	8474	LT-1C	
1200		405TC	94.5	1.15	230/460	SF6B75TC61Y	LM16717	K, P	1018	13088	LT-1E	
1200		405TC	93.6	1.15	230/460	SF6P75TC61Y	LM13655	K, Q	1018	11031	LT-1D	
100		3600	405TSC	95.8	1.15	230/460	SF2B100TSC61Y	LM16719	J, M	1018	13952	LT-1E
		3600	405TSC	93.6	1.15	230/460	SF2P100TSC61Y	LM13656	J, N	1018	11722	LT-1D
		1800	405TC	95.4	1.15	230/460	SF4B100TC61Y	LM15263	C, J, M	1018	12471	LT-1E
	1800	405TC	94.5	1.15	230/460	SF4P100TC61Y	LM13657	J, M	1018	10242	LT-1D	
	1800	405TSC	94.5	1.15	230/460	SF4P100TSC61Y	LM20285	J, M	1018	10242	LT-1D	
	1200	444TC	95.4	1.15	460	SF6B100TC64Y	LM13729	C, U	1372	16709	LT-1E	
	1200	444TC	94.1	1.15	460	SF6P100TC64Y	LM13572	U	1372	13569	LT-1D	
	125	3600	444TSC	95.8	1.15	460	SF2B125TSC64Y	LM13730	N	1372	17868	LT-1E
		3600	444TSC	94.5	1.15	460	SF2P125TSC64Y	LM13573	M	1372	14287	LT-1D
		1800	444TC	96.2	1.15	460	SF4B125TC64Y	LM13731	C, M	1372	16600	LT-1E
1800		444TC	94.5	1.15	460	SF4P125TC64Y	LM13574	C, M, S	1372	13638	LT-1D	
1800		444TSC	94.5	1.15	460	SF4P125TSC64Y	LM20291	C, M	1372	13638	LT-1D	
1200		445TC	95.8	1.15	460	SF6B125TC64Y	LM13732	C, U	1552	20134	LT-1E	
1200		445TC	94.1	1.15	460	SF6P125TC64Y	LM13575	C, ♦	1525	16078	LT-1D	
150		3600	445TSC	96.2	1.15	460	SF2B150TSC64Y	LM13733	M	1552	22056	LT-1E
		3600	445TSC	94.5	1.15	460	SF2P150TSC64Y	LM13576	N	1525	17529	LT-1D
		1800	445TC	96.2	1.15	460	SF4B150TC64Y	LM13734	C, N	1552	19321	LT-1E
	1800	445TC	95.0	1.15	460	SF4P150TC64Y	LM13577	C, N, S, ♣	1525	15706	LT-1D	
	1800	445TSC	95.0	1.15	460	SF4P150TSC64Y	LM20642	C, ♣	1525	15706	LT-1D	
	1200	445TC	95.8	1.15	460	SF6B150TC64Y	LM13735	C, U	1552	23487	LT-1E	
	1200	445TC	95.0	1.15	460	SF6P150TC64Y	LM13578	C	1525	18735	LT-1D	
	200	3600	445TSC	96.2	1.15	460	SF2B200TSC64Y	LM13736	N	1552	27654	LT-1E
		3600	445TSC	95.0	1.15	460	SF2P200TSC64Y	LM13579	N	1525	22037	LT-1D
		1800	445TC	96.2	1.15	460	SF4B200TC64Y	LM13737	C, N	1552	23124	LT-1E
1800		445TC	95.0	1.15	460	SF4P200TC64Y	LM13580	C, S	1525	19286	LT-1D	
1800		445TSC	95.0	1.15	460	SF4P200TSC64Y	LM20300	C	1525	19286	LT-1D	
250		3600	447TSC	96.2	1.15	460	SF2B250TSC64Y	LM13739	U	1833	33317	LT-1E
		3600	447TSC	95.4	1.00	460	SF2P250TSC64Y	LM13582		1833	26531	LT-1D
		1800	447TC	96.2	1.15	460	SF4B250TC64Y	LM13740	N	1833	27518	LT-1E
		1800	447TC	95.0	1.15	460	SF4P250TC64Y	LM13583	U	1833	22936	LT-1D
		300	3600	449TSC	96.2	1.15	460	SF2B300TSC64Y	LM13742	U	2206	43373
	3600		449TSC	95.4	1.15	460	SF2P300TSC64Y	LM13585		2206	32271	LT-1D
1800	447TC		96.2	1.15	460	SF4B300TC64Y	LM13743	N	1833	30056	LT-1E	
1800	449TC		95.4	1.15	460	SF4P300TC64Y	LM19193	U	2206	25127	LT-1D	
1800	447TC		95.4	1.00	460	SF4P300TC64Y	LM15308		1833	23966	LT-1D	

Prices and data subject to change without notice.

Product numbers in red are STOCK items.

**TEFC**  
**208, 230/460 AND 460 VOLTS • 3-PHASE**  
**FOOT MOUNT & C-FACE**  
**1/4 TO 400 HP**



**C-FACE WITH FEET (cont'd)**

HP	SYN RPM	Frame	FL Nom Eff (%)	SF	Volts	Model Number	Product Number	Notes (see page 306)	Approx Shpg Wght (lbs)	List Price	Mult Sym
350	3600	449TSC	95.8	1.15	460	SF2B350TSC64Y	<b>LM13745</b>	U	2206	\$44917	LT-1E
	3600	449TSC	95.4	1.00	460	SF2P350TSC64Y	<b>LM13588</b>		2206	35715	LT-1D
	1800	449TC	96.2	1.15	460	SF4B350TC64Y	<b>LM13746</b>	U	2206	36943	LT-1E
	1800	449TC	95.4	1.15	460	SF4P350TC64Y	<b>LM15400</b>		2206	24795	LT-1D
400	3600	449TSC	95.8	1.00	460	SF2B400TSC64Y	<b>LM13747</b>		2206	54700	LT-1E
	3600	449TSC	95.4	1.00	460	SF2P400TSC64Y	<b>LM13590</b>		2206	43466	LT-1D
	1800	449TC	96.2	1.15	460	SF4B400TC64Y	<b>LM13748</b>	U	2206	42380	LT-1E
	1800	449TC	95.4	1.00	460	SF4P400TC64Y	<b>LM13591</b>		2206	32551	LT-1D

**C-FACE FOOTLESS**

HP	SYN RPM	Frame	FL Nom Eff (%)	SF	Volts	Model Number	Product Number	Notes (see page 306)	Approx Shpg Wght (lbs)	List Price	Mult Sym
1/4	1800	56C	62.5	1.15	230/460	SRF4S0.25TCN61	<b>LM24964</b>	H, V	14	\$304	LT-1A
1/3	1800	56C	65.5	1.15	230/460	SRF4S0.33TCN61	<b>LM24093</b>	H	15	328	LT-1A
	1200	56C	62.0	1.15	230/460	SRF6S0.33TCN61	<b>LM24858</b>	H, W	21	501	LT-1A
1/2	3600	56C	69.0	1.15	230/460	SRF2S0.5TCN61	<b>LM24138</b>	H, W	22	341	LT-1A
	1800	56C	70.0	1.15	230/460	SRF4S0.5TCN61	<b>LM24083</b>	H	17	400	LT-1A
	1200	56C	68.0	1.15	230/460	SRF6S0.5TCN61	<b>LM24128</b>	H, X	23	540	LT-1A
	900	143TC	66.0	1.15	230/460	SSF8S0.5TCN61	<b>LM24965</b>	K, Y	31	811	LT-1A
3/4	3600	56C	74.0	1.15	230/460	SRF2S0.75TCN61	<b>LM24151</b>	H, W	22	357	LT-1A
	1800	56C	75.5	1.15	230/460	SRF4S0.75TCN61	<b>LM24077</b>	H	21	415	LT-1A
	1200	56C	74.0	1.15	230/460	SRF6S0.75TCN61	<b>LM24153</b>	H	26	565	LT-1A
	1200	143TC	74.0	1.15	230/460	SSF6S0.75TCN61	<b>LM24966</b>	K	29	565	LT-1A
	900	145TC	70.0	1.15	230/460	SSF8S0.75TCN61	<b>LM24967</b>	K	49	923	LT-1A
1	3600	56C	74.0	1.15	230/460	SRF2S1TCN61	<b>LM24139</b>	H, W	24	423	LT-1A
	1800	56C	77.0	1.15	230/460	SRF4S1TCN61	<b>LM24080</b>	H, W	27	443	LT-1A
	1800	143TC	82.5	1.25	230/460	SSF4P1TCN61	<b>LM24148</b>	C, H, S, V	28	512	LT-1B
	1800	143TC	77.0	1.15	230/460	SSF4S1TCN61	<b>LM24968</b>	H, W	28	443	LT-1A
	1200	56HC	78.5	1.15	230/460	SRF6S1TCN61	<b>LM24130</b>	H	33	557	LT-1A
	1200	145TC	77.0	1.15	230/460	SSF6S1TCN61	<b>LM24969</b>	H	33	557	LT-1A
1 1/2	3600	56C	80.0	1.15	230/460	SRF2S1.5TCN61	<b>LM24096</b>	H	26	464	LT-1A
	3600	143TC	80.0	1.15	230/460	SSF2S1.5TCN61	<b>LM24970</b>	H	27	460	LT-1A
	1800	56C	80.0	1.15	230/460	SRF4S1.5TCN61	<b>LM24112</b>	H	29	471	LT-1A
	1800	145TC	84.0	1.25	230/460	SSF4P1.5TCN61	<b>LM24149</b>	H, S, V	31	516	LT-1B
	1800	145TC	80.0	1.15	230/460	SSF4S1.5TCN61	<b>LM24971</b>	H, W	31	456	LT-1A
	1200	182TC	75.5	1.15	230/460	SSF6S1.5TCN61	<b>LM24972</b>	H	69	657	LT-1A
2	3600	56HC	82.5	1.15	230/460	SRF2S2TCN61	<b>LM24132</b>	H	29	529	LT-1A
	3600	145TC	80.0	1.15	230/460	SSF2S2TCN61	<b>LM24973</b>	H	30	529	LT-1A
	1800	56HC	82.5	1.15	230/460	SRF4S2TCN61	<b>LM24084</b>	H, V	39	501	LT-1A
	1800	145TC	85.5	1.25	230/460	SSF4B2TCN61	<b>LM24125</b>	A, H, S, V	39	556	LT-1B
	1800	145TC	82.5	1.15	230/460	SSF4S2TCN61	<b>LM24260</b>	H, V	39	485	LT-1A
	1200	184TC	79.0	1.15	230/460	SSF6S2TCN61	<b>LM24974</b>	H, D - 131525	80	729	LT-1A
3	3600	56HC	84.0	1.15	230/460	SRF2S3TCN61	<b>LM24975</b>	H	40	604	LT-1A
	3600	145TC	84.0	1.15	230/460	SSF2S3TCN61	<b>LM24976</b>	H	40	604	LT-1A
	3600	182TC	82.5	1.15	230/460	SSF2S3TCN61	<b>LM24977</b>	H, D - 131513	72	666	LT-1A
	1800	145TC	84.0	1.15	230/460	SSF4S3TCN61	<b>LM24978</b>	H	50	629	LT-1A
	1800	182TC	90.2	1.25	230/460	AAF4B3TCN61	<b>LM16824</b>	H, V	95	819	LT-1E
	1800	182TC	87.5	1.25	230/460	AAF4P3TCN61	<b>LM16298</b>	H, P, S	95	670	LT-1B
	1800	182TC	82.5	1.15	230/460	SSF4S3TCN61	<b>LM24979</b>	H, W, D - 131491	76	596	LT-1A
	1200	213TC	80.0	1.15	230/460	SSF6S3TCN61	<b>LM24980</b>	H	75	919	LT-1A

Prices and data subject to change without notice.

Product numbers in red are STOCK items.



# TEFC

208, 230/460 AND 460 VOLTS • 3-PHASE  
 FOOT MOUNT & C-FACE  
 1/4 TO 400 HP

## C-FACE FOOTLESS (cont'd)

HP	SYN RPM	Frame	FL Nom Eff (%)	SF	Volts	Model Number	Product Number	Notes (see page 306)	Approx Shpg Wght (lbs)	List Price	Mult Sym
5	3600	184TC	84.0	1.15	230/460	SSF2S5TCN61	<b>LM24981</b>	H, D - 131514	79	\$765	LT-1A
	1800	184TC	90.2	1.25	230/460	AAF4B5TCN61	<b>LM16825</b>	H, W	104	950	LT-1E
	1800	184TC	87.5	1.25	230/460	AAF4P5TCN61	<b>LM16299</b>	H, Q, S	104	766	LT-1B
	1800	184TC	86.5	1.15	230/460	SSF4S5TCN61	<b>LM24982</b>	A, H, D - 131492	92	684	LT-1A
	1200	215TC	84.0	1.15	230/460	SSF6S5TCN61	<b>LM24983</b>	H	80	1245	LT-1A
7 1/2	3600	184TC	85.5	1.15	230/460	SSF2S7.5TCN61	<b>LM24984</b>	H, D - 131510	100	990	LT-1A
	3600	213TC	84.0	1.15	230/460	SSF2S7.5TCN61	<b>LM24985</b>	H, W	80	1002	LT-1A
	1800	213TC	91.0	1.25	230/460	AF4B7.5TCN61	<b>LM16826</b>	H, N	138	1301	LT-1E
	1800	213TC	89.5	1.25	230/460	AF4P7.5TCN61	<b>LM16300</b>	H, P, S	138	969	LT-1B
	1800	213TC	87.5	1.15	230/460	SSF4S7.5TCN61	<b>LM24986</b>	H	103	879	LT-1A
10	3600	215TC	86.5	1.15	230/460	SSF2S10TCN61	<b>LM24987</b>	H	102	1292	LT-1A
	1800	215TC	91.0	1.25	230/460	AF4B10TCN61	<b>LM16827</b>	H, N	149	1538	LT-1E
	1800	215TC	89.5	1.25	230/460	AF4P10TCN61	<b>LM16301</b>	H, Q, S	149	1162	LT-1B
	1800	215TC	88.5	1.15	230/460	SSF4S10TCN61	<b>LM24988</b>	H	135	1057	LT-1A
15	3600	215TC	88.5	1.15	230/460	SSF2S15TCN61	<b>LM24989</b>	H	125	1623	LT-1A
	1800	254TC	91.7	1.25	230/460	AF4B15TCN61	<b>LM16828</b>	H, M	221	2105	LT-1E
	1800	254TC	91.0	1.25	230/460	AF4P15TCN61	<b>LM16302</b>	H, N, S	221	1702	LT-1B
20	1800	256TC	91.7	1.25	230/460	AF4B20TCN61	<b>LM16829</b>	H, N	248	2523	LT-1E
	1800	256TC	91.0	1.25	230/460	AF4P20TCN61	<b>LM16303</b>	H, Q, S	248	2002	LT-1B

Prices and data subject to change without notice.

Product numbers in red are STOCK items.

**TEFC CAST IRON**  
**208, 230/460 VOLTS • 3-PHASE**  
**FOOT MOUNT & C-FACE**  
**1 TO 400 HP**



**Features:**

- Cast iron frame and end brackets, cast iron fan shroud on frames 324T and larger.
- Industry leading 1.25 service factor on some sizes
- Two levels of premium efficiency
- Nameplated for 50 Hz and 208 V/60Hz operation – see “Notes” column.
- Inverter-Rated\*
- Continuous Duty
- Premium Class F Insulation system
- Warranty:  
 (sine-wave power) 42 months from date of manufacture and 36 months from date of installation which ever period expires first.  
 (inverter power\*) 30 months from date of manufacture and 24 months from date of installation which ever period expires first.
- Shielded ball bearing for direct coupled applications. Contact your local sales office for belted applications.



**Applications:**

For use where exposure to water, dust and corrosives exists. Ideally suited for use on pumps, compressors, fans, blowers, conveyors, machine tools and other industrial applications.

**FOOT MOUNT**

HP	SYN RPM	Frame	FL Nom Eff (%)	SF	Volts	Model Number	Product Number	Notes (see page 306)	Approx Shpg Wght (lbs)	List Price	Mult Sym
1	1800	143T	85.5	1.25	230/460	CCN4B1T61	LM24102	C, H, V	56	\$650	LT-3E
	1800	143T	82.5	1.25	230/460	CCN4P1T61	LM25639	C, H, V	56	587	LT-3B
	1200	145T	80.0	1.15	230/460	CCF6B1T61	LM15856	C	56	782	LT-3E
	1200	145T	80.0	1.15	230/460	CCN6P1T61	LM24167	K, W	57	665	LT-3B
1 1/2	3600	143T	86.5	1.15	230/460	CCF2B1.5T61	LM15854		54	824	LT-3E
	3600	143T	86.5	1.25	230/460	CCN2P1.5T61	LM25631	H, V	54	665	LT-3B
	1800	145T	84.0	1.25	230/460	CCN4B1.5T61	LM25637	H	62	693	LT-3E
	1800	145T	84.0	1.15	230/460	CCN4P1.5T61	LM24164		62	606	LT-3B
	1200	182T	87.5	1.15	230/460	CCF6B1.5T61	LM15868		112	863	LT-3E
	1200	182T	85.5	1.25	230/460	CCF6P1.5T61	LM25633	H, V	89	705	LT-3B
2	3600	145T	84.0	1.15	230/460	CCN2B2T61	LM15857	V	71	908	LT-3E
	3600	145T	84.0	1.15	230/460	CCN2P2T61	LM24157	H, W, S	65	705	LT-3B
	1800	145T	85.5	1.15	230/460	CCN4B2T61	LM24127	C, H, W, S	64	730	LT-3E
	1800	145T	84.0	1.25	230/460	CCF4P2T61	LM24115	C, H, V, S	57	625	LT-3B
	1200	184T	87.5	1.15	230/460	CCN6B2T61	LM15871		126	1114	LT-3E
	1200	184T	86.5	1.25	230/460	CCF6P2T61	LM24224	K, V	126	784	LT-3B
3	3600	182T	87.5	1.15	230/460	CCN2B3T61	LM15866		107	950	LT-3E
	3600	182T	86.5	1.25	230/460	CCF2P3T61	LM25634	H, V	84	784	LT-3B
	1800	182T	90.2	1.15	230/460	CCF4B3T61	LM25638	K, X	82	911	LT-3E
	1800	182T	87.5	1.25	230/460	CCF4P3T61AP21	LM24189	H, V	90	576	LT-3B
	1200	213T	89.5	1.15	230/460	CCF6B3T61	LM15880	C	173	1457	LT-3E
	1200	213T	87.5	1.25	230/460	CCF6P3T61	LM24230	K, S, V	154	1042	LT-3B
5	3600	184T	88.5	1.15	230/460	CCF2B5T61	LM15869		108	1070	LT-3E
	3600	184T	87.5	1.25	230/460	CCF2P5T61	LM24188	H, S, W	108	902	LT-3B
	1800	184T	90.2	1.15	230/460	CCF4B5T61	LM24195	H, S, W	117	999	LT-3E
	1800	184T	87.5	1.25	230/460	CCF4P5T61AP21	LM24180	H, S, W	123	665	LT-3B
	1200	215T	89.5	1.15	230/460	CCF6B5T61	LM15883		203	1628	LT-3E
	1200	215T	88.5	1.25	230/460	CCF6P5T61	LM24242	H, S, V	174	1372	LT-3B
7 1/2	3600	213T	91.7	1.15	230/460	CCF2B7.5T61	LM15878		192	1339	LT-3E
	3600	213T	88.5	1.25	230/460	CCF2P7.5T61	LM24198	H, W	188	1141	LT-3B
	1800	213T	91.7	1.15	230/460	CCF4B7.5T61	LM24209	H, S, V	194	1203	LT-3E
	1800	213T	89.5	1.25	230/460	CCF4P7.5T61AP21	LM24183	H, S, W	194	848	LT-3B
	1200	254T	91.0	1.15	230/460	CCF6B7.5T61	LM15892		223	2197	LT-3E
	1200	254T	89.5	1.25	230/460	CCF6P7.5T61	LM25635	C, H, V	300	2101	LT-3B

Prices and data subject to change without notice.

Product numbers in red are STOCK items.



**TEFC CAST IRON**  
**208, 230/460 VOLTS • 3-PHASE**  
**FOOT MOUNT & C-FACE**  
**1 TO 400 HP**

**FOOT MOUNT (cont'd)**

HP	SYN RPM	Frame	FL Nom Eff (%)	SF	Volts	Model Number	Product Number	Notes (see page 306)	Approx Shpg Wght (lbs)	List Price	Mult Sym
10	3600	215T	90.2	1.15	230/460	CCF2B10T61	<b>LM15881</b>		218	\$3636	LT-3E
	3600	215T	89.5	1.25	230/460	CCF2P10T61	<b>LM24201</b>	H, S, W	217	1333	LT-3B
	1800	215T	91.7	1.15	230/460	CCF4B10T61	<b>LM24213</b>	H, S, W	213	1565	LT-3E
	1800	215T	89.5	1.15	230/460	CCF4P10T61AP21	<b>LM24185</b>	J, Q, S	227	1032	LT-3B
	1200	256T	91.0	1.15	230/460	CCF6B10T61	<b>LM15895</b>		368	2720	LT-3E
	1200	256T	89.5	1.25	230/460	CCF6P10T61	<b>LM25636</b>	H, V	393	2371	LT-3B
15	3600	254T	91.7	1.15	230/460	CCF2B15T61	<b>LM15890</b>		384	2222	LT-3E
	3600	254T	90.2	1.25	230/460	CCF2P15T61	<b>LM24191</b>	H, W	370	1880	LT-3B
	1800	254T	92.4	1.15	230/460	CCF4B15T61	<b>LM24208</b>	H, S, V	322	2036	LT-3E
	1800	254T	91.0	1.25	230/460	CCF4P15T61AP21	<b>LM24182</b>	H, S, W	365	1522	LT-3B
	1200	284T	91.7	1.15	230/460	CCF6B15T61Y	<b>LM15793</b>		483	3707	LT-3E
	1200	284T	90.2	1.15	230/460	CCF6P15T61Y	<b>LM15787</b>	S	485	3173	LT-3C
20	3600	256T	92.4	1.15	230/460	CCF2B20T61	<b>LM15893</b>		385	2720	LT-3E
	3600	256T	90.2	1.15	230/460	CCF2P20T61	<b>LM24196</b>	J, W	334	2272	LT-3B
	1800	256T	93.0	1.15	230/460	CCF4B20T61	<b>LM24207</b>	H, W	368	2472	LT-3E
	1800	256T	91.0	1.15	230/460	CCF4P20T61AP21	<b>LM24186</b>	J, Q, S	420	1803	LT-3B
	1200	286T	91.7	1.15	230/460	CCF6B20T61Y	<b>LM15796</b>		515	4324	LT-3E
	1200	286T	90.2	1.15	230/460	CCF6P20T61Y	<b>LM15790</b>	S	510	3723	LT-3C
25	3600	284TS	93.6	1.15	230/460	CCF2B25TS61Y	<b>LM15791</b>		461	3376	LT-3E
	3600	284TS	91.0	1.15	230/460	CCF2P25TS61Y	<b>LM15785</b>		384	2939	LT-3C
	1800	284T	93.6	1.15	230/460	CCF4B25T61Y	<b>LM15792</b>		495	3089	LT-3E
	1800	284T	92.4	1.15	230/460	CCF4P25T61Y	<b>LM15786</b>	S	440	2349	LT-3C
	1200	324T	92.4	1.15	230/460	CCF6B25T61Y	<b>LM19747</b>		637	5404	LT-3E
	1200	324T	91.7	1.15	230/460	CCF6P25T61Y	<b>LM19546</b>		565	4592	LT-3C
30	3600	286TS	93.6	1.15	230/460	CCF2B30TS61Y	<b>LM15794</b>		496	3996	LT-3E
	3600	286TS	91.0	1.15	230/460	CCF2P30TS61Y	<b>LM15788</b>	S	428	3487	LT-3C
	1800	286T	94.1	1.15	230/460	CCF4B30T61Y	<b>LM15795</b>		519	3646	LT-3E
	1800	286T	92.4	1.15	230/460	CCF4P30T61Y	<b>LM15789</b>	H, S	494	2808	LT-3C
	1200	326T	92.4	1.15	230/460	CCF6B30T61Y	<b>LM19748</b>		689	6134	LT-3E
	1200	326T	91.7	1.15	230/460	CCF6P30T61Y	<b>LM19545</b>		633	5305	LT-3C
40	3600	324TS	94.1	1.15	230/460	CCF2B40TS61Y	<b>LM19749</b>		664	5097	LT-3E
	3600	324TS	91.7	1.15	230/460	CCF2P40TS61Y	<b>LM19547</b>		540	4407	LT-3C
	1800	324T	94.1	1.15	230/460	CCF4B40T61Y	<b>LM19750</b>		602	4694	LT-3E
	1800	324T	93.0	1.15	230/460	CCF4P40T61Y	<b>LM27812</b>	S	575	4030	LT-3C
	1200	364T	93.6	1.15	230/460	CCF6B40T61Y	<b>LM19751</b>		835	7903	LT-3E
	1200	364T	93.0	1.15	230/460	CCF6P40T61Y	<b>LM19549</b>		799	6767	LT-3C
50	3600	326TS	94.5	1.15	230/460	CCF2B50TS61Y	<b>LM19752</b>		732	6549	LT-3E
	3600	326TS	93.0	1.15	230/460	CCF2P50TS61Y	<b>LM19550</b>		581	5662	LT-3C
	1800	326T	94.5	1.15	230/460	CCF4B50T61Y	<b>LM19753</b>		744	5861	LT-3E
	1800	326T	93.6	1.15	230/460	CCF4P50T61Y	<b>LM27810</b>	S	630	4702	LT-3C
	1200	365T	93.6	1.15	230/460	CCF6B50T61Y	<b>LM19754</b>		955	9341	LT-3E
	1200	365T	93.0	1.25	230/460	CCF6P50T61Y	<b>LM19552</b>		1063	7998	LT-3C
60	3600	364TS	94.5	1.15	230/460	CCF2B60TS61Y	<b>LM19755</b>		918	8433	LT-3E
	3600	364TS	93.0	1.15	230/460	CCF2P60TS61Y	<b>LM19553</b>		936	7218	LT-3C
	1800	364T	94.5	1.15	230/460	CCF4B60T61Y	<b>LM19756</b>		980	8587	LT-3E
	1800	364T	93.6	1.15	230/460	CCF4P60T61Y	<b>LM19554</b>		920	10233	LT-3C
	1200	404T	94.5	1.15	230/460	CCF6B60T61Y	<b>LM19757</b>	C	1156	8621	LT-3E
	1200	404T	93.6	1.15	230/460	CCF6P60T61Y	<b>LM19555</b>	Q	1227	9164	LT-3D
75	3600	365TS	94.1	1.15	230/460	CCF2B75TS61Y	<b>LM19758</b>		1001	10687	LT-3E
	3600	365TS	93.6	1.15	230/460	CCF2P75TS61Y	<b>LM19556</b>		1001	9150	LT-3C
	1800	365T	94.5	1.15	230/460	CCF4B75T61Y	<b>LM19759</b>		1018	10255	LT-3E
	1800	365T	94.1	1.15	230/460	CCF4P75T61Y	<b>LM19557</b>	P, S	1088	8606	LT-3C
	1200	405T	94.1	1.15	230/460	CCF6B75T61Y	<b>LM19760</b>		1280	13367	LT-3E
	1200	405T	94.5	1.15	230/460	CCF6P75T61Y	<b>LM19558</b>	C	1289	11179	LT-3D

Prices and data subject to change without notice.

Product numbers in red are STOCK items.

**TEFC CAST IRON**  
**208, 230/460 VOLTS • 3-PHASE**  
**FOOT MOUNT & C-FACE**  
**1 TO 400 HP**



**FOOT MOUNT (cont'd)**

HP	SYN RPM	Frame	FL Nom Eff (%)	SF	Volts	Model Number	Product Number	Notes (see page 306)	Approx Shpg Wght (lbs)	List Price	Mult Sym
100	3600	405TS	94.1	1.15	230/460	CCF2P100TS61Y	LM19559		1296	\$12149	LT-3D
	1800	405T	95.4	1.15	230/460	CCF4B100T61Y	LM19762	S, V	1338	12973	LT-3E
	1800	405T	94.5	1.15	230/460	CCF4P100T61Y	LM19560		1338	10409	LT-3D
	1200	444T	94.1	1.15	460	CCF6P100T64Y	LM19561		1874	14336	LT-3D
125	3600	444TS	94.5	1.15	460	CCF2P125TS64Y	LM19562		1874	14979	LT-3D
	1800	444T	95.4	1.15	460	CCF4B125T64Y	LM19765	N	1874	16556	LT-3E
	1800	444T	94.5	1.15	460	CCF4P125T64Y	LM19563		1874	13279	LT-3D
	1200	445T	94.1	1.15	460	CCF6P125T64Y	LM19564		2042	17259	LT-3D
150	3600	445TS	95.0	1.15	460	CCF2P150TS64Y	LM19565		2099	18191	LT-3D
	1800	445T	95.4	1.15	460	CCF4B150T64Y	LM19768	S	2070	19358	LT-3E
	1800	445T	95.0	1.15	460	CCF4P150T64Y	LM19566		2116	16149	LT-3D
	1200	445T	95.0	1.15	460	CCF6P150T64Y	LM19567		2042	19638	LT-3D
200	3600	445TS	95.0	1.15	460	CCF2P200TS64Y	LM19568		2332	23029	LT-3D
	1800	445T	95.4	1.15	460	CCF4P200T64Y	LM19569	U	2305	19613	LT-3D
	1200	449T	95.0	1.15	460	CCF6P200T64Y	LM19570		3087	23457	LT-3D
250	3600	449TS	95.4	1.15	460	CCF2P250TS64Y	LM19571		2685	29240	LT-3D
	1800	449T	95.4	1.15	460	CCF4P250T64Y	LM19572		2760	24034	LT-3D
	1200	449T	95.4	1.15	460	CCF6P250T64Y	LM30826		3408	29240	LT-3D
300	3600	449TS	95.4	1.15	460	CCF2P300TS64Y	LM19574		2850	35741	LT-3D
	1800	449T	95.0	1.15	460	CCF4P300T64Y	LM19575		2980	25755	LT-3D
	1200	449T	95.4	1.00	460	CCF6P300T64Y	LM19576		3440	37421	LT-3D
350	3600	449TS	95.4	1.15	460	CCF2P350TS64Y	LM19577		3050	39639	LT-3D
	1800	449T	95.4	1.15	460	CCF4P350T64Y	LM19578		3218	28509	LT-3D
400	1800	449T	95.8	1.00	460	CCF4P400T64Y	LM19580		3263	36355	LT-3D

**C-FACE WITH FEET**

HP	SYN RPM	Frame	FL Nom Eff (%)	SF	Volts	Model Number	Product Number	Notes (see page 306)	Approx Shpg Wght (lbs)	List Price	Mult Sym
1	1800	143TC	84.0	1.15	230/460	CCN4B1TC61	LM16775	C, H, V	66	\$693	LT-3E
	1800	143TC	82.5	1.25	230/460	CCN4P1TC61	LM16255		C, H, V	59	629
		1200	145TC	80.0	1.25	230/460	CCN6P1TC61	LM16256	C, K, W	59	707
1 1/2	3600	143TC	86.5	1.15	230/460	CCF2B1.5TC61	LM16777		66	865	LT-3E
	3600	143TC	82.5	1.25	230/460	CCN2P1.5TC61	LM16257	H, V	62	707	LT-3B
	1800	145TC	84.0	1.15	230/460	CCN4B1.5TC61	LM16778	C, H	66	734	LT-3E
	1800	145TC	84.0	1.15	230/460	CCN4P1.5TC61	LM16258	H, W	66	648	LT-3B
		1200	182TC	85.5	1.25	230/460	CCF6P1.5TC61	LM16259	H, V	93	775
2	3600	145TC	84.0	1.15	230/460	CCN2B2TC61	LM16780		66	949	LT-3E
	3600	145TC	84.0	1.15	230/460	CCN2P2TC61	LM16260	H, W	71	746	LT-3B
	1800	145TC	85.5	1.15	230/460	CCN4B2TC61	LM16781	C, H, W	66	772	LT-3E
	1800	145TC	84.0	1.25	230/460	CCF4P2TC61	LM16261	C, H, V	63	668	LT-3B
		1200	184TC	86.5	1.25	230/460	CCF6P2TC61	LM16262		132	847
3	3600	182TC	87.5	1.15	230/460	CCN2B3TC61	LM16783		120	1010	LT-3E
	3600	182TC	86.5	1.25	230/460	CCF2P3TC61	LM16263	H, V	88	847	LT-3B
	1800	182TC	90.2	1.15	230/460	CCF4B3TC61	LM16784	K, X	120	971	LT-3E
	1800	182TC	87.5	1.25	230/460	CCF4P3TC61	LM16264		95	761	LT-3B
		1200	213TC	87.5	1.25	230/460	CCF6P3TC61	LM16265	K, V	182	1013
5	3600	184TC	88.5	1.15	230/460	CCF2B5TC61	LM16786		120	1092	LT-3E
	3600	184TC	87.5	1.25	230/460	CCF2P5TC61	LM16266	H, W	113	964	LT-3B
	1800	184TC	90.2	1.15	230/460	CCF4B5TC61	LM16787	H, W	120	1062	LT-3E
	1800	184TC	87.5	1.25	230/460	CCF4P5TC61	LM16267	S	129	826	LT-3B
		1200	215TC	87.5	1.25	230/460	CCF6P5TC61	LM16268	K, S, V	213	1444

Prices and data subject to change without notice.

Product numbers in red are STOCK items.



**TEFC CAST IRON**  
**208, 230/460 VOLTS • 3-PHASE**  
**FOOT MOUNT & C-FACE**  
**1 TO 400 HP**

**C-FACE WITH FEET (cont'd)**

HP	SYN RPM	Frame	FL Nom Eff (%)	SF	Volts	Model Number	Product Number	Notes (see page 306)	Approx Shpg Wght (lbs)	List Price	Mult Sym
7 1/2	3600	213TC	91.7	1.15	230/460	CCF2B7.5TC61	LM16789		183	\$1412	LT-3E
	3600	213TC	88.5	1.25	230/460	CCF2P7.5TC61	LM16269	H, W	197	1170	LT-3B
	1800	213TC	91.7	1.15	230/460	CCF4B7.5TC61	LM16790	H, V	183	1370	LT-3E
	1800	213TC	89.5	1.25	230/460	CCF4P7.5TC61	LM16270	S	204	1228	LT-3B
	1200	254TC	89.5	1.25	230/460	CCF6P7.5TC61	LM16271	C, H, V	315	1975	LT-3B
10	3600	215TC	90.2	1.15	230/460	CCF2B10TC61	LM16792		183	1596	LT-3E
	3600	215TC	89.5	1.25	230/460	CCF2P10TC61	LM16272	H, W	228	1405	LT-3B
	1800	215TC	91.7	1.15	230/460	CCF4B10TC61	LM16793	H, W	183	1639	LT-3E
	1800	215TC	91.0	1.15	230/460	CCF4P10TC61	LM16273		238	1405	LT-3B
	1200	256TC	89.5	1.25	230/460	CCF6P10TC61	LM16274		413	2467	LT-3B
15	3600	254TC	91.7	1.15	230/460	CCF2B15TC61	LM16795		272	2319	LT-3E
	3600	254TC	90.2	1.25	230/460	CCF2P15TC61	LM16275	H, W	509	2083	LT-3B
	1800	254TC	92.4	1.15	230/460	CCF4B15TC61	LM16796	H, V	272	2132	LT-3E
	1800	254TC	91.0	1.25	230/460	CCF4P15TC61	LM16276	S	389	2056	LT-3B
	1200	284TC	90.2	1.15	230/460	CCF6P15TC61Y	LM16277	Q	383	3340	LT-3C
20	3600	256TC	92.4	1.15	230/460	CCF2B20TC61	LM16798		272	2815	LT-3E
	3600	256TC	90.2	1.15	230/460	CCF2P20TC61	LM16278	J, W	536	2369	LT-3B
	1800	256TC	93.0	1.15	230/460	CCF4B20TC61	LM16799	H, W	272	2568	LT-3E
	1800	256TC	91.0	1.15	230/460	CCF4P20TC61	LM16279	S	351	2132	LT-3B
	1200	286TC	90.2	1.25	230/460	CCF6P20TC61Y	LM16280	Q	504	3888	LT-3C
25	3600	284TSC	93.6	1.15	230/460	CCF2B25TSC61Y	LM16801		531	3542	LT-3E
	3600	284TSC	91.0	1.15	230/460	CCF2P25TSC61Y	LM16281		400	3104	LT-3C
	1800	284TC	93.6	1.15	230/460	CCF4B25TC61Y	LM16802		531	3254	LT-3E
	1800	284TC	92.4	1.25	230/460	CCF4P25TC61Y	LM16282	S	460	2752	LT-3C
30	3600	286TSC	91.0	1.15	230/460	CCF2P30TSC61Y	LM16283		290	3653	LT-3C
	1800	286TC	94.1	1.15	230/460	CCF4B30TC61Y	LM16804		531	3811	LT-3E
	1800	286TC	92.5	1.15	230/460	CCF4P30TC61Y	LM16284	C	455	3222	LT-3C
40	3600	324TSC	91.7	1.15	230/460	CCF2P40TSC61Y	LM19583		567	4684	LT-3C
	1800	324TC	94.1	1.15	230/460	CCF4B40TC61Y	LM13673		755	4970	LT-3E
	1800	324TC	93.0	1.15	230/460	CCF4P40TC61Y	LM19584		515	4314	LT-3C
50	3600	326TSC	93.0	1.15	230/460	CCF2P50TSC61Y	LM19585		610	5939	LT-3C
	1800	326TC	94.5	1.15	230/460	CCF4B50TC61Y	LM13675		731	5920	LT-3E
	1800	326TC	93.6	1.15	230/460	CCF4P50TC61Y	LM19586		610	4979	LT-3C
60	3600	364TSC	93.0	1.15	230/460	CCF2P60TSC61Y	LM16287		983	7663	LT-3C
	1800	364TC	94.5	1.15	230/460	CCF4B60TC61Y	LM20032		989	9031	LT-3E
	1800	364TC	93.6	1.25	230/460	CCF4P60TC61Y	LM16288	W	989	7498	LT-3C
75	3600	365TSC	93.6	1.15	230/460	CCF2P75TSC61Y	LM16290		1051	9594	LT-3C
	1800	365TC	94.5	1.15	230/460	CCF4B75TC61Y	LM19795	Y	1098	10699	LT-3E
	1800	365TC	94.1	1.15	230/460	CCF4P75TC61Y	LM16291		1030	9065	LT-3C
100	1800	405TC	95.4	1.15	230/460	CCF4B100TC61Y	LM19798		1213	13501	LT-3E
	1800	405TC	94.5	1.15	230/460	CCF4P100TC61Y	LM16294	C	1270	10956	LT-3D

Prices and data subject to change without notice.

Product numbers in red are STOCK items.