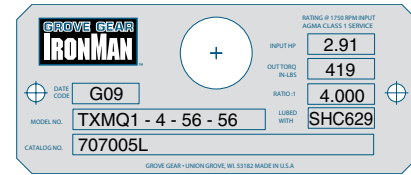


STOCK RATIO MULTIPLIER MODEL NUMBER SYSTEM



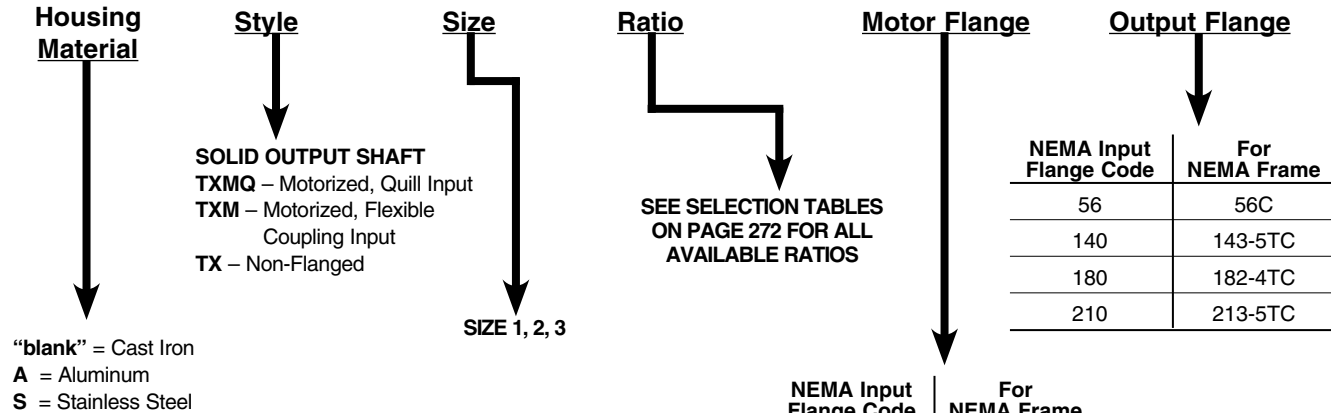
TYPICAL NAMEPLATE (Grove Gear shown)



Grove Gear 800 Series Ratio Multiplier Model Number Nomenclature

All stock and custom 800 series reducers are identified by a model number. The model number appears on the nameplate and describes pertinent features of the reducer. An example follows, along with a listing of the various letters and positions used.

NOTE: All ratio multipliers also have a catalog number—for example 707012L. Reducers and renewal parts should be ordered by catalog number. Accessories that are field installed will not be noted on the nameplate.



Sample Model Number

Motorized Quill Input Series 1; 4:1 Ratio, 5/8" Input Bore with NEMA 56C Flange, and 56C output flange.

| | | | | |
|-------------|----------|----------|--------------------|---------------|
| TXMQ | 1 | 4 | 56 | 56 |
| Style | Size | Ratio | Motor Input Flange | Output Flange |

ALL RATINGS SAME FOR CAST IRON, ALUMINUM, and STAINLESS STEEL RATIO MULTIPLIERS

MAXIMUM RATING TABLES Size 1

| Exact Ratio | Input R.P.M. | Output R.P.M. | Input H.P. | Output H.P. | Output TQ. (lb-in.) | Overhung Load (lbs.) |
|-------------|--------------|---------------|------------|-------------|---------------------|----------------------|
| 2.056 | 1750 | 851 | 4.69 | 4.55 | 347 | 222 |
| 2.929 | 1750 | 598 | 3.64 | 3.53 | 384 | 265 |
| 4.000 | 1750 | 438 | 2.91 | 2.82 | 419 | 300 |
| 5.111 | 1750 | 342 | 2.33 | 2.26 | 428 | 300 |
| 7.462 | 1750 | 235 | 1.56 | 1.52 | 419 | 300 |

Size 2

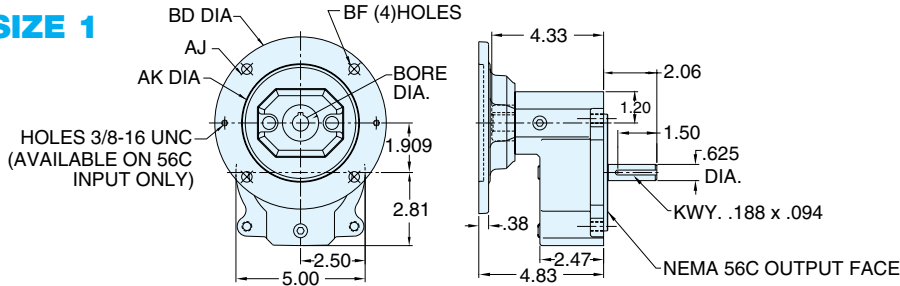
| Exact Ratio | Input R.P.M. | Output R.P.M. | Input H.P. | Output H.P. | Output TQ. (lb-in.) | Overhung Load 56C Output (lbs.) | Overhung Load 140TC Output (lbs.) |
|-------------|--------------|---------------|------------|-------------|---------------------|---------------------------------|-----------------------------------|
| 2.000 | 1750 | 875 | 6.00 | 5.88 | 424 | 358 | 358 |
| 2.913 | 1750 | 601 | 4.21 | 4.13 | 433 | 375 | 434 |
| 4.000 | 1750 | 438 | 3.63 | 3.55 | 511 | 375 | 455 |
| 5.000 | 1750 | 350 | 3.00 | 2.94 | 529 | 375 | 455 |
| 7.182 | 1750 | 244 | 2.62 | 2.57 | 664 | 375 | 455 |

Size 3

| Exact Ratio | Input R.P.M. | Output R.P.M. | Input H.P. | Output H.P. | Output TQ. (lb-in.) | Overhung Load (lbs.) |
|-------------|--------------|---------------|------------|-------------|---------------------|----------------------|
| 2.000 | 1750 | 875 | 20.00 | 19.6 | 1412 | 900 |
| 2.964 | 1750 | 590 | 12.98 | 12.72 | 1357 | 900 |
| 4.045 | 1750 | 433 | 11.35 | 11.13 | 1621 | 900 |
| 5.167 | 1750 | 339 | 10.07 | 9.87 | 1836 | 900 |
| 7.538 | 1750 | 232 | 5.80 | 5.69 | 1544 | 900 |

Additional Capabilities

SIZE 1



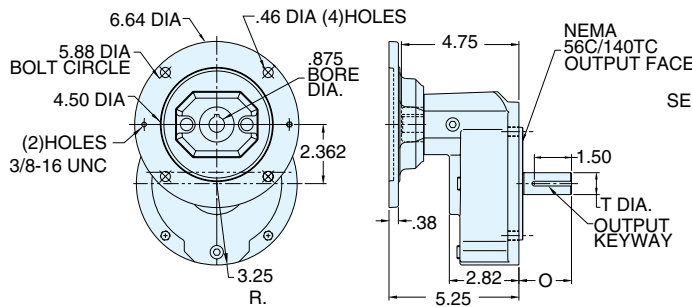
SIZE 1 DIMENSIONS (Inches)

| Style | Frame Combinations (Input - Output) | AJ | AK | BD | BF | Input Bore | Input Keyway* | Weight (lbs.) |
|-------|-------------------------------------|------|------|------|------|------------|---------------|---------------|
| TXMQ | 48CZ - 56C | 3.75 | 3.00 | 4.36 | 0.28 | .500 | 1/8 X 1/16 | 19 |
| | 56C - 56C | 5.88 | 4.50 | 6.64 | 0.41 | .625 | 3/16 X 3/32 | 19 |

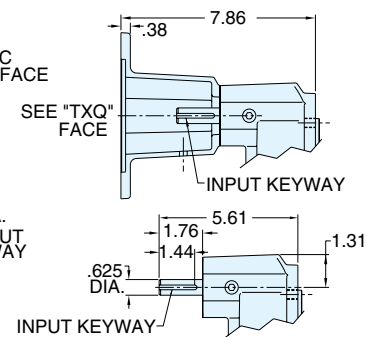
* Keyway width by depth

SIZE 2

Style TXMQ



Style TXM



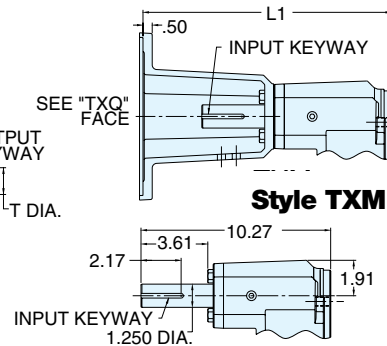
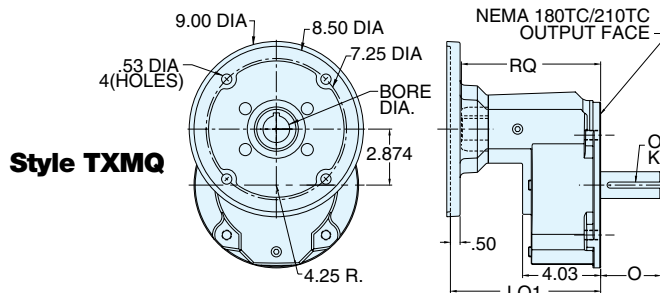
SIZE 2 DIMENSIONS (Inches)

| Style | Frame Combinations (Input - Output) | Input Keyway* | O | T +0.000 -0.0015 | Output Keyway* | Weight (lbs.) |
|---------------|-------------------------------------|---------------|------|------------------------|----------------|---------------|
| TXMQ, TXM, TX | 140TC - 56C | .188 x .094 | 2.06 | 0.625 | .188 x .094 | 22 |
| | 140TC - 140TC | .188 x .094 | 2.13 | 0.875 | .188 x .094 | 22 |

* Keyway width by depth

Style TX

SIZE 3



SIZE 3 DIMENSIONS (Inches)

Style TX

| Style | Frame Combinations (Input - Output) | Input Bore | L1 | LQ1 | O | RQ | T +0.000 -0.0015 | Input Keyway* | Output Keyway* | Weight (lbs.) |
|---------------|-------------------------------------|------------|-------|------|------|------|------------------------|---------------|--------------------|---------------|
| TXMQ, TXM, TX | 180TC - 180TC | 1.125 | 13.45 | 7.76 | 2.62 | 7.25 | 1.125 | .250 x .125 | .250 x .125 x 1.80 | 45 |
| | 210TC - 180TC | 1.375 | 13.45 | 7.76 | 2.62 | 7.25 | 1.125 | .312 x .156** | .250 x .125 x 1.80 | 45 |
| | 250TC - 180TC | 1.625 | 14.01 | 8.32 | 2.62 | 7.65 | 1.125 | .375 x .188** | .250 x .125 x 1.80 | 45 |
| | 180TC - 210TC | 1.125 | 13.45 | 7.76 | 3.12 | 7.25 | 1.375 | .250 x .125 | .312 x .156 x 2.63 | 45 |
| | 210TC - 210TC | 1.375 | 13.45 | 7.76 | 3.12 | 7.25 | 1.375 | .312 x .156** | .312 x .156 x 2.63 | 45 |
| | 250TC - 210TC | 1.625 | 14.01 | 8.32 | 3.12 | 7.65 | 1.375 | .375 x .188** | .312 x .156 x 2.63 | 45 |

* Keyway width by depth

** Input keyway for styles TXM & TX is .250 x .125

RATIO MULTIPLIER

AVAILABLE SELECTIONS



SIZE 1 • CAST IRON

| Exact Ratio | Style | Motor C-Flange | Output C-Flange | Catalog Number |
|-------------|-------|----------------|-----------------|----------------|
| 2.056 | TXMQ | 48CZ | 56C | 707000L |
| | | 56C | 56C | 707001L |
| 2.929 | TXMQ | 48CZ | 56C | 707002L |
| | | 56C | 56C | 707003L |
| 4.000 | TXMQ | 48CZ | 56C | 707004L |
| | | 56C | 56C | 707005L |
| 5.111 | TXMQ | 48CZ | 56C | 707006L |
| | | 56C | 56C | 707007L |
| 7.462 | TXMQ | 48CZ | 56C | 707008L |
| | | 56C | 56C | 707009L |

SIZE 2 • CAST IRON

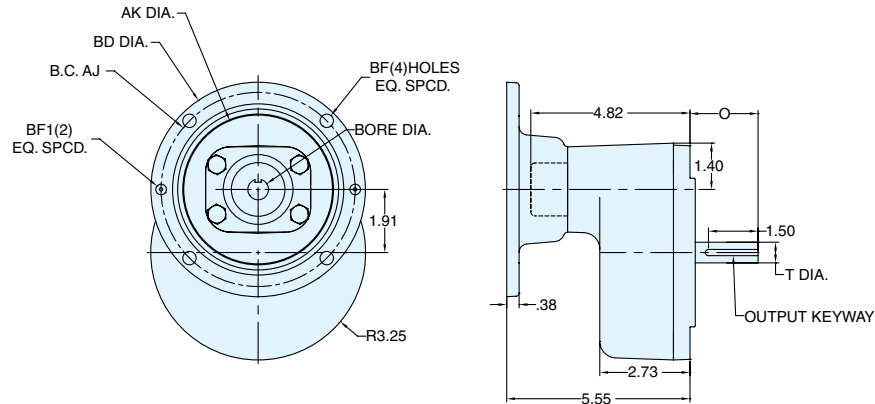
| Exact Ratio | Style | Motor C-Flange | Output C-Flange | Catalog Number |
|-------------|-------|----------------|-----------------|----------------|
| 2.000 | TXMQ | 56C | 56C | 707010L |
| | | 56C | 143-5TC | 707011L |
| | | 143-5TC | 56C | 707012L |
| | | 143-5TC | 143-5TC | 707013L |
| | TXM | 56C | 56C | 707014L |
| | | 56C | 143-5TC | 707015L |
| | | 56C | 56C | 707030L |
| | | 143-5TC | 56C | 707032L |
| | TX | -- | 56C | 707050L |
| | | -- | 143-5TC | 707051L |
| 2.913 | TXMQ | 143-5TC | 56C | 707016L |
| | | 143-5TC | 143-5TC | 707017L |
| | TXM | 56C | 56C | 707034L |
| | | 143-5TC | 56C | 707036L |
| | TX | -- | 56C | 707052L |
| | | -- | 143-5TC | 707053L |
| 4.000 | TXMQ | 56C | 56C | 707018L |
| | | 56C | 143-5TC | 707019L |
| | | 143-5TC | 56C | 707020L |
| | TXM | 143-5TC | 143-5TC | 707021L |
| | | 56C | 56C | 707038L |
| | | 143-5TC | 56C | 707040L |
| TX | -- | 56C | 707054L | |
| | -- | 143-5TC | 707055L | |
| 5.000 | TXMQ | 56C | 56C | 707022L |
| | | 56C | 143-5TC | 707023L |
| | | 143-5TC | 56C | 707024L |
| | | 143-5TC | 143-5TC | 707025L |
| | TXM | 56C | 56C | 707042L |
| | | 143-5TC | 56C | 707044L |
| TX | -- | 56C | 707056L | |
| | -- | 143-5TC | 707057L | |
| 7.182 | TXMQ | 56C | 56C | 707026L |
| | | 56C | 143-5TC | 707027L |
| | | 143-5TC | 56C | 707028L |
| | TXM | 143-5TC | 143-5TC | 707029L |
| | | 56C | 143-5TC | 707047L |
| | | 143-5TC | 56C | 707048L |
| TX | -- | 56C | 707049L | |
| | -- | 143-5TC | 707058L | |
| | | | | 707059L |

SIZE 3 • CAST IRON

| Exact Ratio | Style | Motor C-Flange | Output C-Flange | Catalog Number |
|-------------|---------|----------------|-----------------|----------------|
| 2.000 | TXMQ | 182-4TC | 182-4TC | 707060L |
| | | 182-4TC | 213-5TC | 707061L |
| | | 213-5TC | 213-5TC | 707064L |
| | | 254-6TC | 213-5TC | 707067L |
| | TXM | 182-4TC | 182-4TC | 707090L |
| | | 213-5TC | 213-5TC | 707094L |
| TX | -- | 213-5TC | 707097L | |
| | | | 707121L | |
| 2.964 | TXMQ | 182-4TC | 182-4TC | 707069L |
| | | 182-4TC | 213-5TC | 707070L |
| | | 213-5TC | 182-4TC | 707072L |
| | TXM | 213-5TC | 213-5TC | 707073L |
| | | 182-4TC | 182-4TC | 707099L |
| | | 182-4TC | 213-5TC | 707100L |
| TX | 213-5TC | 182-4TC | 707102L | |
| | 213-5TC | 213-5TC | 707103L | |
| | -- | 182-4TC | 707123L | |
| | | 213-5TC | 707124L | |
| 4.045 | TXMQ | 182-4TC | 182-4TC | 707075L |
| | | 182-4TC | 213-5TC | 707076L |
| | | 213-5TC | 182-4TC | 707078L |
| | TXM | 213-5TC | 213-5TC | 707079L |
| | | 182-4TC | 182-4TC | 707105L |
| | | 182-4TC | 213-5TC | 707106L |
| TX | 213-5TC | 182-4TC | 707108L | |
| | 213-5TC | 213-5TC | 707109L | |
| | -- | 182-4TC | 707126L | |
| | | 213-5TC | 707127L | |
| 5.167 | TXMQ | 182-4TC | 182-4TC | 707081L |
| | | 182-4TC | 213-5TC | 707082L |
| | | 213-5TC | 182-4TC | 707084L |
| | TXM | 213-5TC | 213-5TC | 707085L |
| | | 182-4TC | 182-4TC | 707111L |
| | | 182-4TC | 213-5TC | 707112L |
| TX | 213-5TC | 182-4TC | 707114L | |
| | 213-5TC | 213-5TC | 707115L | |
| | -- | 182-4TC | 707129L | |
| | | 213-5TC | 707130L | |
| 7.538 | TXMQ | 182-4TC | 182-4TC | 707087L |
| | TXM | 182-4TC | 182-4TC | 707117L |
| | TX | -- | 182-4TC | 707132L |

Additional Capabilities

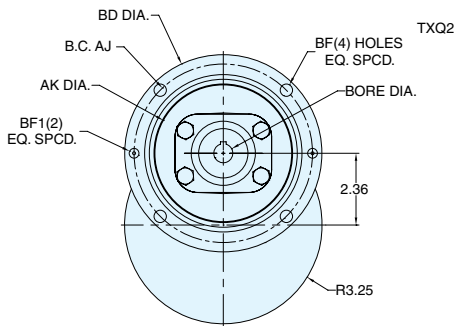
ALUMINUM SIZE 1



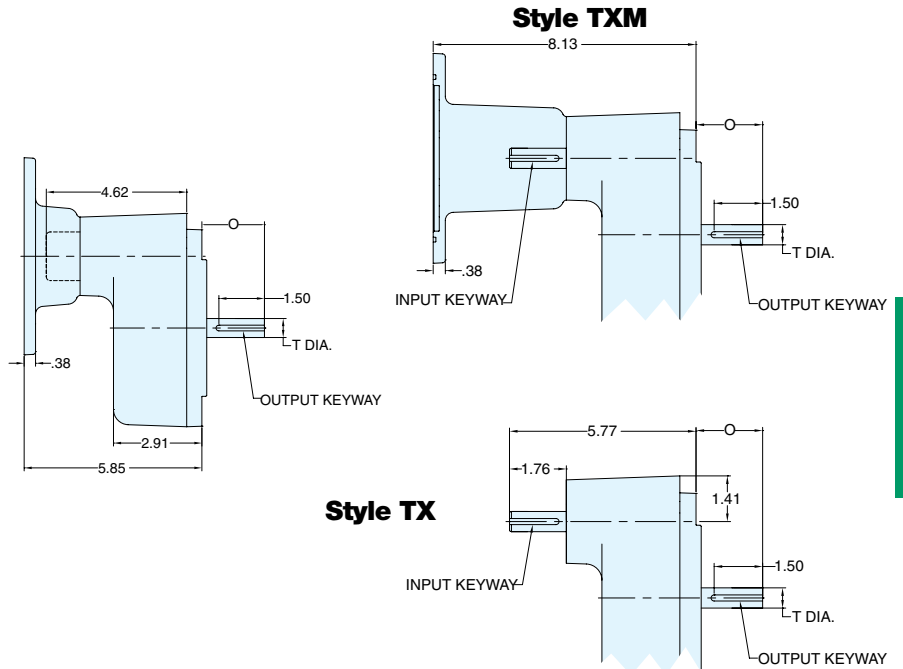
ALUMINUM SIZE 1 DIMENSIONS (Inches)

| Style | Frame Combinations (Input - Output) | AJ | AK | BD | BF | BF1 | O | T +0.000 -0.0015 | Input Bore | Input Keyway | Output Keyway | Weight (lbs.) |
|-------|-------------------------------------|------|------|------|------|------------|------|------------------------|------------|--------------|---------------|---------------|
| TXMQ | 48CZ - 56C | 3.75 | 3.00 | 4.36 | 0.28 | 1/4-20 UNC | 2.06 | 0.625 | 0.50 | 1/8 X 1/16 | 3/16 x 3/32 | 9.5 |
| | 56C - 56C | 5.88 | 4.50 | 6.64 | 0.41 | 3/8-16 UNC | 2.06 | 0.625 | 0.63 | 3/16 X 3/32 | 3/16 x 3/32 | 9.5 |

ALUMINUM SIZE 2



Style TXMQ



Style TX

ALUMINUM SIZE 2 DIMENSIONS (Inches)

| Style | Frame Combinations (Input - Output) | AJ | AK | BD | BF | BF1 | O | T +0.000 -0.0015 | Input Bore | Input Keyway | Output Keyway | Weight (lbs.) |
|-----------------|-------------------------------------|------|------|------|------|------------|------|------------------------|------------|--------------|---------------|---------------|
| TXMQ, TXM TX | 140TC-56C | 5.88 | 4.50 | 6.64 | 0.41 | 3/8-16 UNC | 2.06 | 0.625 | 0.63 | 3/16 X 3/32 | 3/16 x 3/32 | 11.5 |
| | 140TC-140TC | 5.88 | 4.50 | 6.64 | 0.41 | 3/8-16 UNC | 2.13 | 0.875 | 0.88 | 3/16 X 3/32 | 3/16 x 3/32 | 11.5 |

Additional Capabilities

RATIO MULTIPLIER

AVAILABLE SELECTIONS



SIZE 1 • ALUMINUM

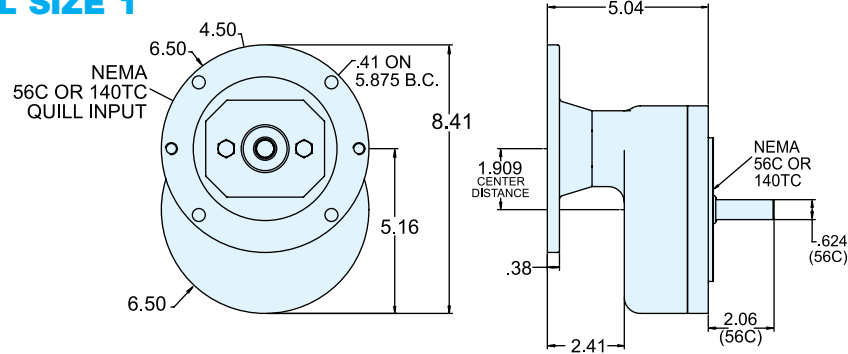
| Exact Ratio | Style | Motor C-Flange | Output C-Flange | Catalog Number |
|-------------|-------|----------------|-----------------|----------------|
| 2.056 | TXMQ | 56C | 56C | EL707001 |
| 2.929 | TXMQ | 56C | 56C | EL707003 |
| 4.000 | TXMQ | 56C | 56C | EL707005 |
| 5.111 | TXMQ | 56C | 56C | EL707007 |
| 7.462 | TXMQ | 56C | 56C | EL707009 |

SIZE 2 • ALUMINUM

| Exact Ratio | Style | Motor C-Flange | Output C-Flange | Catalog Number |
|-------------|-------|----------------|-----------------|----------------|
| 2.000 | TXMQ | 56C | 56C | EL707010 |
| | | 56C | 140TC | EL707011 |
| | | 140TC | 56C | EL707012 |
| | | 140TC | 140TC | EL707013 |
| | TXM | 56C | 56C | EL707030 |
| | | 56C | 140TC | EL707031 |
| | | 140TC | 56C | EL707032 |
| | | 140TC | 140TC | EL707033 |
| | TX | -- | 56C | EL707050 |
| | | -- | 140TC | EL707051 |
| 2.913 | TXMQ | 56C | 56C | EL707014 |
| | | 56C | 140TC | EL707015 |
| | | 140TC | 56C | EL707016 |
| | | 140TC | 140TC | EL707017 |
| | TXM | 56C | 56C | EL707034 |
| | | 56C | 140TC | EL707035 |
| | | 140TC | 56C | EL707036 |
| | | 140TC | 140TC | EL707037 |
| | TX | -- | 56C | EL707052 |
| | | -- | 140TC | EL707053 |
| 4.000 | TXMQ | 56C | 56C | EL707018 |
| | | 56C | 140TC | EL707019 |
| | | 140TC | 56C | EL707020 |
| | | 140TC | 140TC | EL707021 |
| | TXM | 56C | 140TC | EL707038 |
| | | 140TC | 56C | EL707040 |
| | | 140TC | 140TC | EL707041 |
| | TX | -- | 56C | EL707054 |
| | | -- | 140TC | EL707055 |
| | 5.000 | TXMQ | 56C | 56C |
| 56C | | | 140TC | EL707023 |
| 140TC | | | 56C | EL707024 |
| 140TC | | | 140TC | EL707025 |
| TXM | | 56C | 56C | EL707042 |
| | | 56C | 140TC | EL707043 |
| | | 140TC | 56C | EL707044 |
| | | 140TC | 140TC | EL707045 |
| TX | | -- | 56C | EL707056 |
| | | -- | 140TC | EL707057 |
| 7.182 | TXMQ | 56C | 56C | EL707026 |
| | | 56C | 140TC | EL707027 |
| | | 140TC | 56C | EL707028 |
| | | 140TC | 140TC | EL707029 |
| | TXM | 56C | 56C | EL707046 |
| | | 56C | 140TC | EL707047 |
| | | 140TC | 56C | EL707048 |
| | | 140TC | 140TC | EL707049 |
| | TX | -- | 56C | EL707058 |
| | | -- | 140TC | EL707059 |

Additional Capabilities

STAINLESS STEEL SIZE 1



STAINLESS STEEL SIZE 1 DIMENSIONS (Inches)

| Style | Frame Combinations (Input - Output) | AJ | AK | BD | OD | BE | BE1 | BF | Input Bore | Input Keyway** | Weight (lbs) |
|-------|-------------------------------------|------|------|------|------|------|-----|------|------------|----------------|--------------|
| TXMQ | 56C | 5.88 | 4.50 | 5.88 | 6.64 | 0.38 | N/A | 0.41 | 0.625 | 3/16 x 3/32 | 22 |
| | 140TC | 5.88 | 4.50 | 5.88 | 6.64 | 0.38 | N/A | 0.41 | 0.875 | 3/16 x 3/32 | 22 |

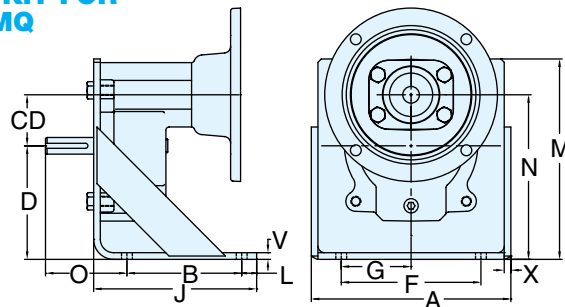
**keyway width by depth

SIZE 1 • STAINLESS STEEL

| Exact Ratio | Style | Motor C-Flange | Output C-Flange | Catalog Number |
|-------------|-------|----------------|-----------------|----------------|
| 2.929 | TXMQ | 56C | 56C | 707702 |
| | | 56C | 140TC | 707707 |
| 4.000 | TXMQ | 56C | 56C | 707703 |
| | | 56C | 140TC | 707708 |
| | | 140TC | 56C | 707713 |
| | | 140TC | 140TC | 707718 |
| 5.111 | TXMQ | 56C | 56C | 707704 |
| | | 56C | 140TC | 707709 |
| | | 140TC | 56C | 707714 |
| | | 140TC | 140TC | 707719 |
| 7.461 | TXMQ | 56C | 56C | 707705 |
| | | 56C | 140TC | 707710 |
| | | 140TC | 56C | 707715 |
| | | 140TC | 140TC | 707720 |

Ratio Multipliers

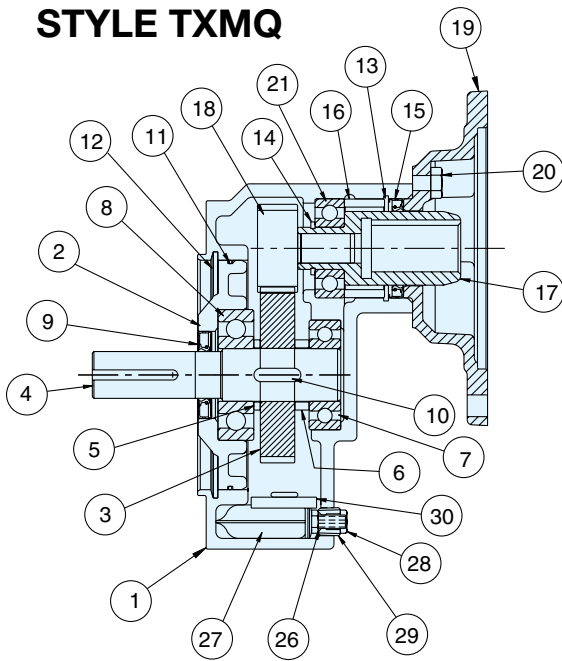
RATIO MULTIPLIER FOOT KIT FOR STYLES TBX, TBXM, TBXMQ



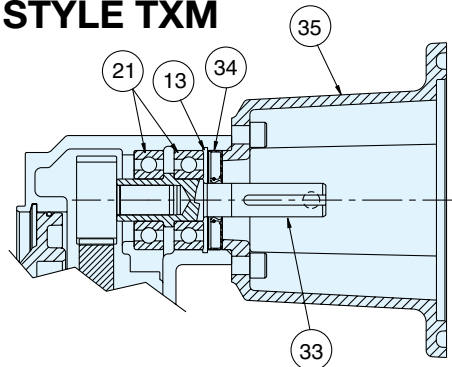
| Size | Output | A | B | CD | D | F | G | H | J | X | L | M | N | O | V | X | Catalog Number | Weight (lbs) |
|------|--------|------|------|-------|-------|------|------|------|------|------|------|------|------|------|-----|-----|----------------|--------------|
| 1 | 56C | 7.50 | 6.13 | 1.909 | 4.250 | 5.25 | 2.63 | 0.41 | 4.31 | 0.25 | 0.56 | 7.50 | 6.16 | 3.06 | .25 | .25 | G185655 | 2.0 |
| 2 | 56C | 7.50 | 6.13 | 2.362 | 4.250 | 5.25 | 2.63 | 0.41 | 4.31 | 0.25 | 0.56 | 7.50 | 6.16 | 3.06 | .25 | .25 | G185656 | 2.5 |
| | 140TC | 7.50 | 6.13 | 2.362 | 4.250 | 5.25 | 2.63 | 0.41 | 4.31 | 0.25 | 0.56 | 7.50 | 6.16 | 3.12 | .25 | .25 | | |
| 3 | 180TC | 9.50 | 7.38 | 2.874 | 5.000 | 7.00 | 3.50 | 0.53 | 5.25 | 0.25 | 0.63 | 9.44 | 7.88 | 3.88 | .25 | .25 | G185657 | 3.0 |
| | 210TC | 9.50 | 7.38 | 2.874 | 5.000 | 7.00 | 3.50 | 0.53 | 5.25 | 0.25 | 0.63 | 9.44 | 7.88 | 4.38 | .25 | .25 | | |
| | 250TC | 9.50 | 7.38 | 2.874 | 5.000 | 7.00 | 3.50 | 0.53 | 5.25 | 0.25 | 0.63 | 9.44 | 7.88 | 5.00 | .25 | .25 | | |

NOTE: Foot kit is painted steel construction.

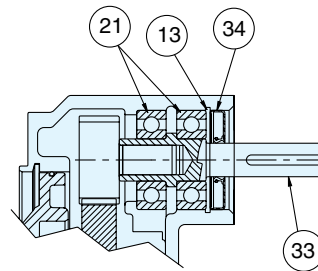
STYLE TXMQ



STYLE TXM



STYLE TX



STYLE TXQ
SIZE 1, 2 & 3 PARTS LIST;

| ITEM # | DESCRIPTION |
|--------|-------------------|
| 1 | HOUSING |
| 2 | COVER, OUTPUT |
| 3 | GEAR, OUTPUT |
| 4 | OUTPUT SHAFT |
| 5 | SPACER, OUTPUT |
| 6 | SPACER, OUTPUT |
| 7 | BEARING, OUTPUT |
| 8 | BEARING, OUTPUT |
| 9 | SEAL, OUTPUT |
| 10 | KEY, OUTPUT |
| 11 | "O" RING, OUTPUT |
| 12 | SNAP RING, OUTPUT |
| 13 | SNAP RING, INPUT |
| 14 | SNAP RING, INPUT |
| 15 | SEAL, INPUT |
| 16 | SPACER, INPUT |
| 17 | QUILL, COUPLING |
| 18 | PINION, INPUT |

| ITEM # | DESCRIPTION |
|--------|-----------------------|
| 19 | FLANGE, QUILL INPUT |
| 20 | BOLT, INPUT |
| 21 | BEARING, INPUT |
| 26 | "O" RING, ENVIROSEAL |
| 27 | ENVIROSEAL |
| 28 | NUT, INT. PRES. COMP. |
| 29 | PLUG, STEM |
| 30 | SPLASH GUARD |

Grove Gear
WASHGUARD®
Style Only

STYLE TX & TXM
SIZE 2 & 3 PARTS LIST
(SOLID INPUT)

| ITEM # | DESCRIPTION |
|--------|--------------------------|
| 33 | SHAFT, INPUT |
| 34 | SEAL, INPUT |
| 35 | FLANGE, MOTOR (TXM ONLY) |