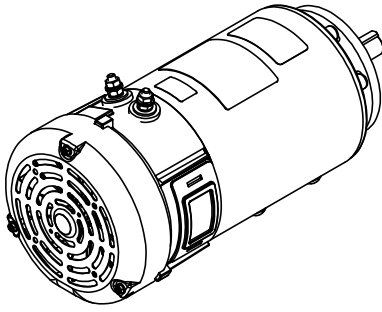
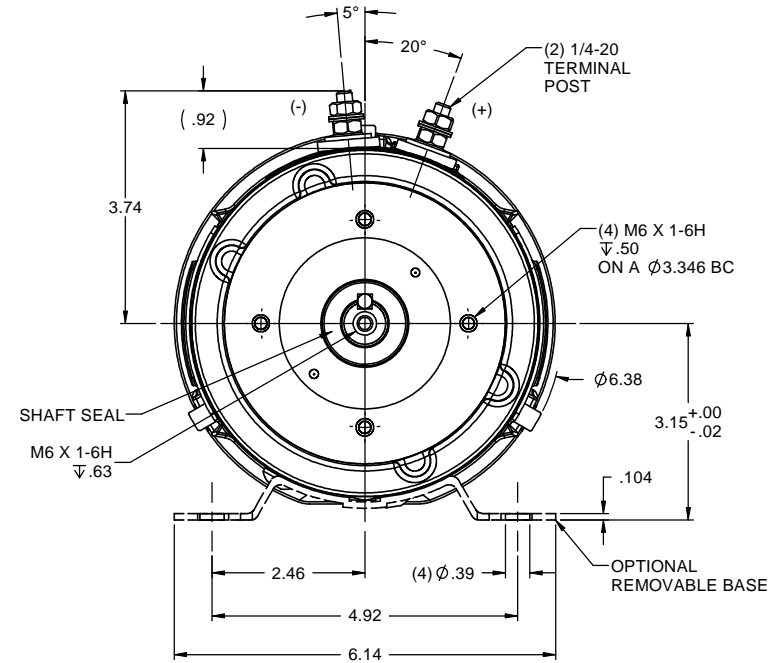
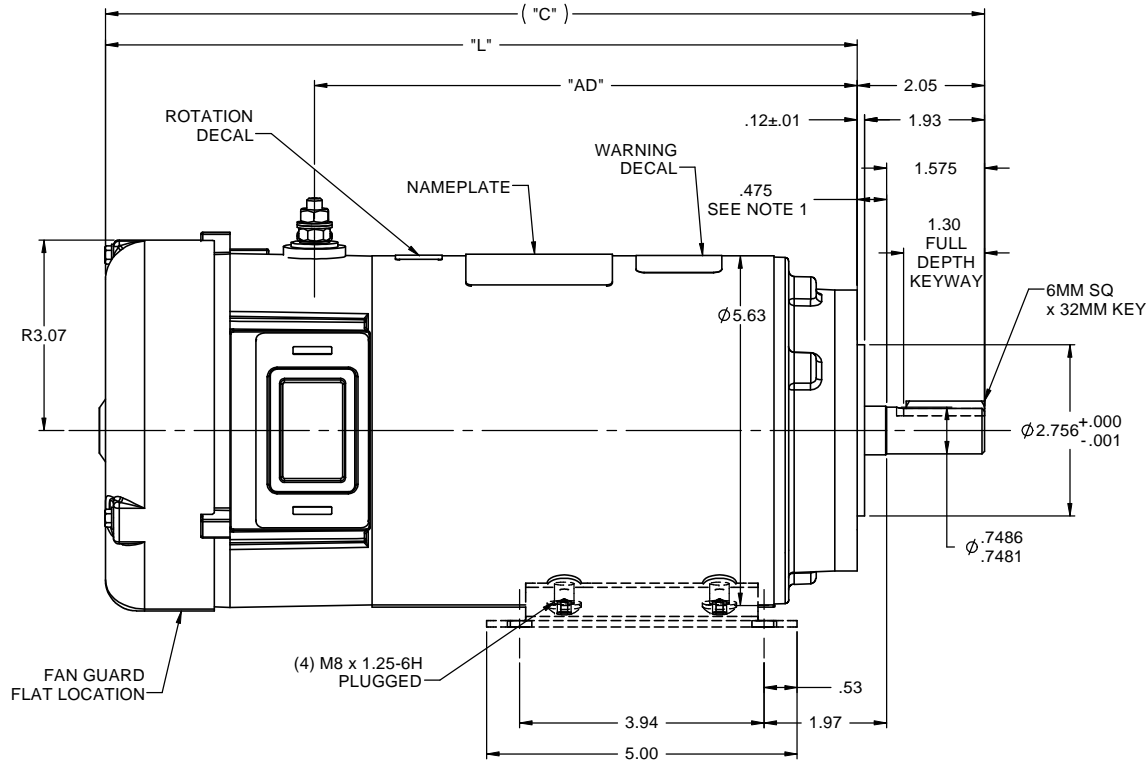


RBC PROPRIETARY AND CONFIDENTIAL INFORMATION
 This document is the property of REGAL BELOIT CORPORATION ("RBC") including its subsidiaries and divisions and contains proprietary information of RBC. This document is loaned on the express condition that neither it nor the information contained therein shall be disclosed to others without the express written consent of RBC, and that the information shall be used by the recipient only as approved expressly by RBC. This document shall be returned to RBC upon its request. This document may be subject to certain restrictions under U.S. export control laws and regulations.



- NOTES:
 1) DIMENSION IS SPACE PROVIDED FOR A BOLT-ON B5 OR B14 ADAPTER KIT FOR THE IEC 80 FRAME.
 2) MAXIMUM FACE RUNOUT TO BE .004 T.I.R.
 3) MAXIMUM PILOT ECCECNTRICITY .004 T.I.R.
 4) PERMISSIBLE SHAFT RUNOUT .002 T.I.R.
 5) GASKETS THROUGHOUT.

108456.00	13.65	11.60	8.24	24	.75	3000
108455.00	14.15	12.10	8.74	24	.75	1800
CATALOG No.	"C"	"L"	"AD"	VOLTS	K.W.	RPM

		TOLERANCES UNLESS SPECIFIED		LEESON ELECTRIC MOTORS GEARMOTORS AND DRIVES		DRAWN IPG 1/28/09	
		DEC INCHES				CHK SK 1/28/09	
		X ±.1		APPR		SCALE 1:2	
01	ADDED NOTE ABOUT FAN GUARD FLAT LOCATION. ISAAC	IPG 12/10/2009	XX ±.03	TITLE OUTLINE		REF 031065	
09-4813			XXX ±.005	48 FRAME DC - IEC 80		FMF 108455.75	
RELEASED: REF. 031065 & 031898		IPG 1/28/2009	SK XXXX ±.0005	MATL		PAGE OF	
NO	REVISION	BY & DATE	CHK LANG ±1/2°	FINISH		REV	
THIRD ANGLE PROJECTION			RFP		PREV		SIZE DRAWING NO
			NETWORK FILE NAME		B		031910